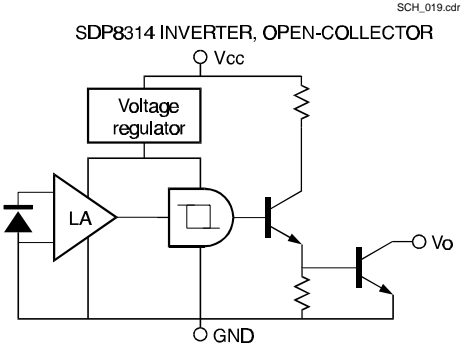


SDP8304/8314

Optoschmitt Detector
Open-Collector Output

SCHEMATIC



SWITCHING WAVEFORM FOR BUFFERS

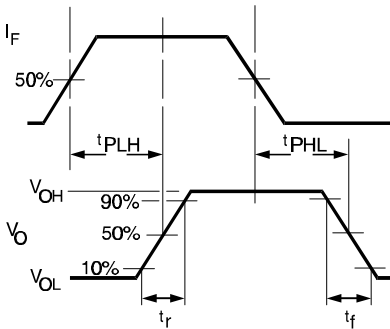
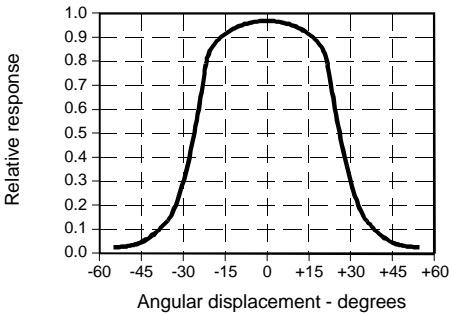
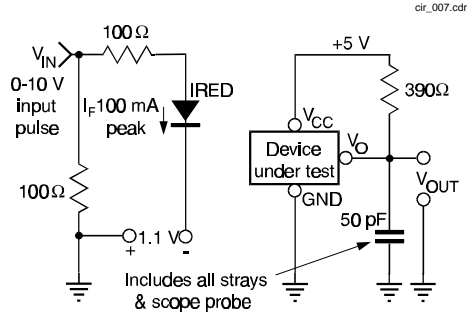


Fig. 1 Responsivity vs Angular Displacement



SWITCHING TIME TEST CIRCUIT



SWITCHING WAVEFORM FOR INVERTERS

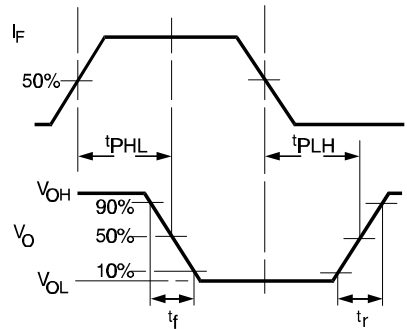
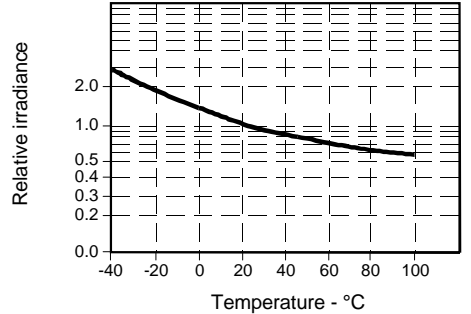


Fig. 2 Threshold Irradiance vs Temperature



SDP8304/8314

Optoschmitt Detector Open-Collector Output

Fig. 3 Output Rise Time (t_r) and Output Fall Time (t_f) vs Temperature

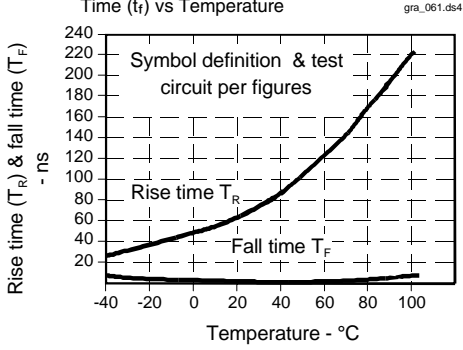


Fig. 4 Delay Time vs Temperature

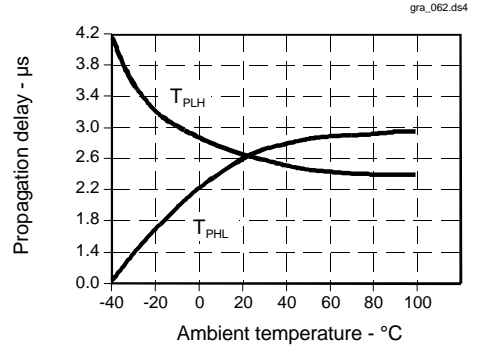
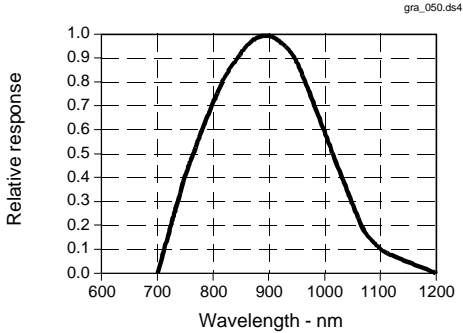


Fig. 5 Spectral Responsivity



All Performance Curves Show Typical Values