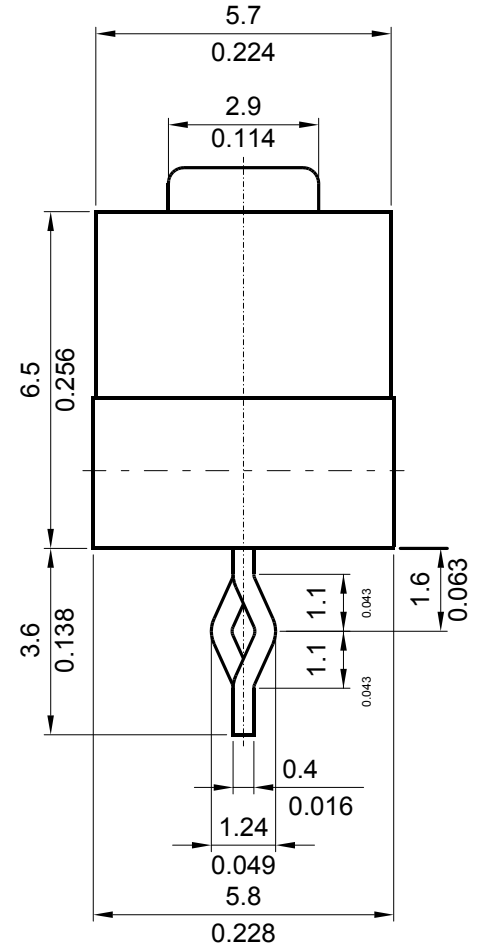
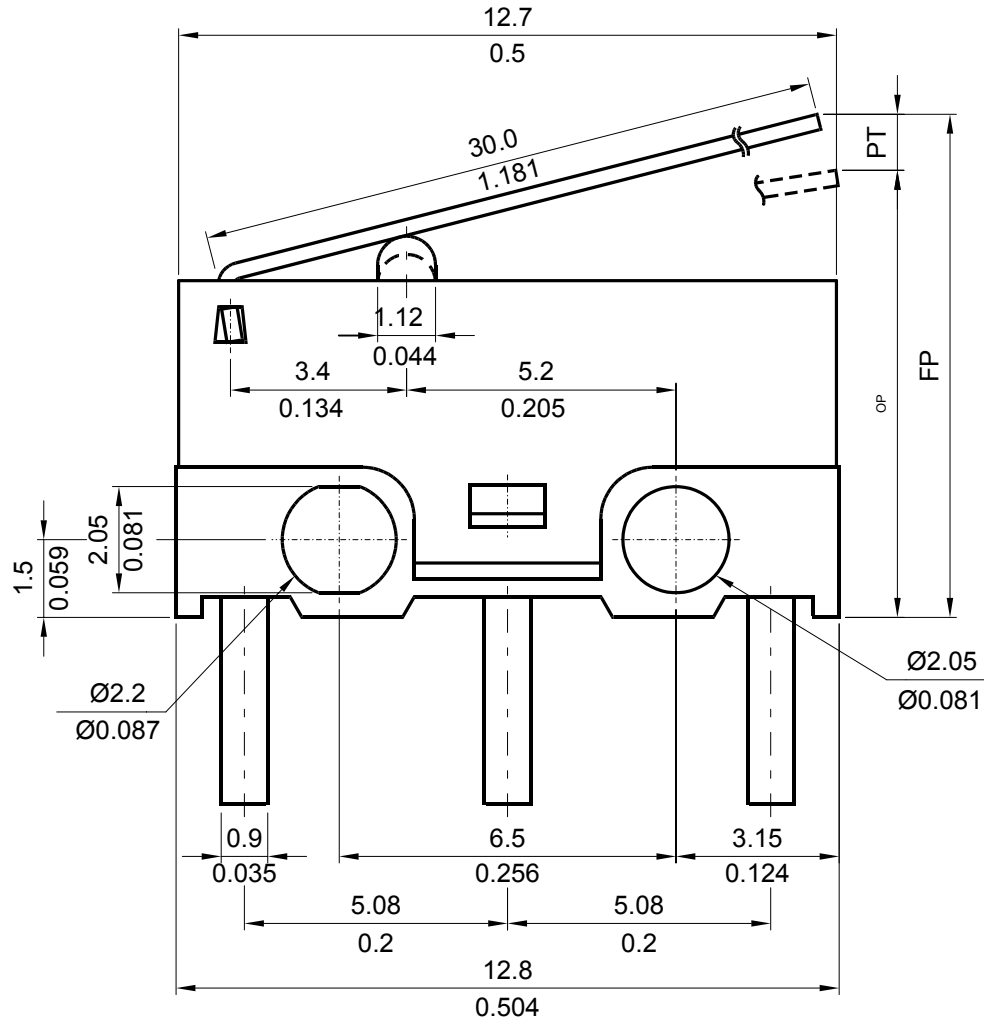


ZX10C30J01



Tolerance  $\pm 0.4\text{mm}$   
 $\pm 0.016\text{inch}$

REV	DATE	APPROVAL	DESIGN	ENGINEERING CHANGE DESCRIPTION	VIEW		SIZE	A4	UNIT	mm/inch
					DATE	OCT 31, 2002	VER.	1	FILE NAME	
					APPROVAL		CONFIRM		DESIGN	