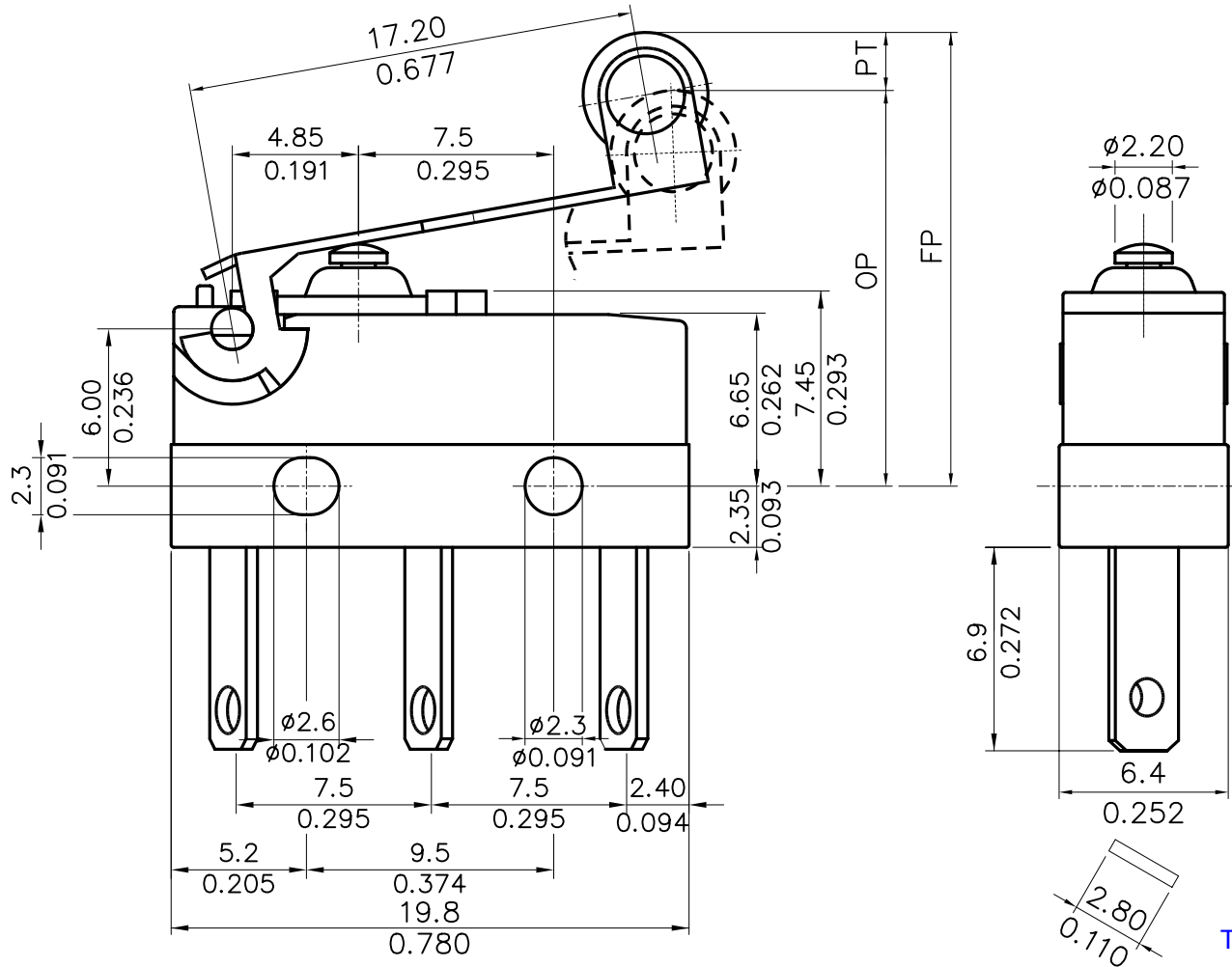


# ZW10E70FD1



Tolerance  $\pm 0.4$  mm  
 $\pm 0.016$  inch

REV.	DATE	APPROVAL	DESIGN	ENGINEERING CHANGE DESCRIPTION	VIEW	SIZE	A4	UNIT	mm/inch
					DATE	OCT.16,2002	VER.	1	FILE NAME
					APPROVAL		CONFIRM		DESIGN