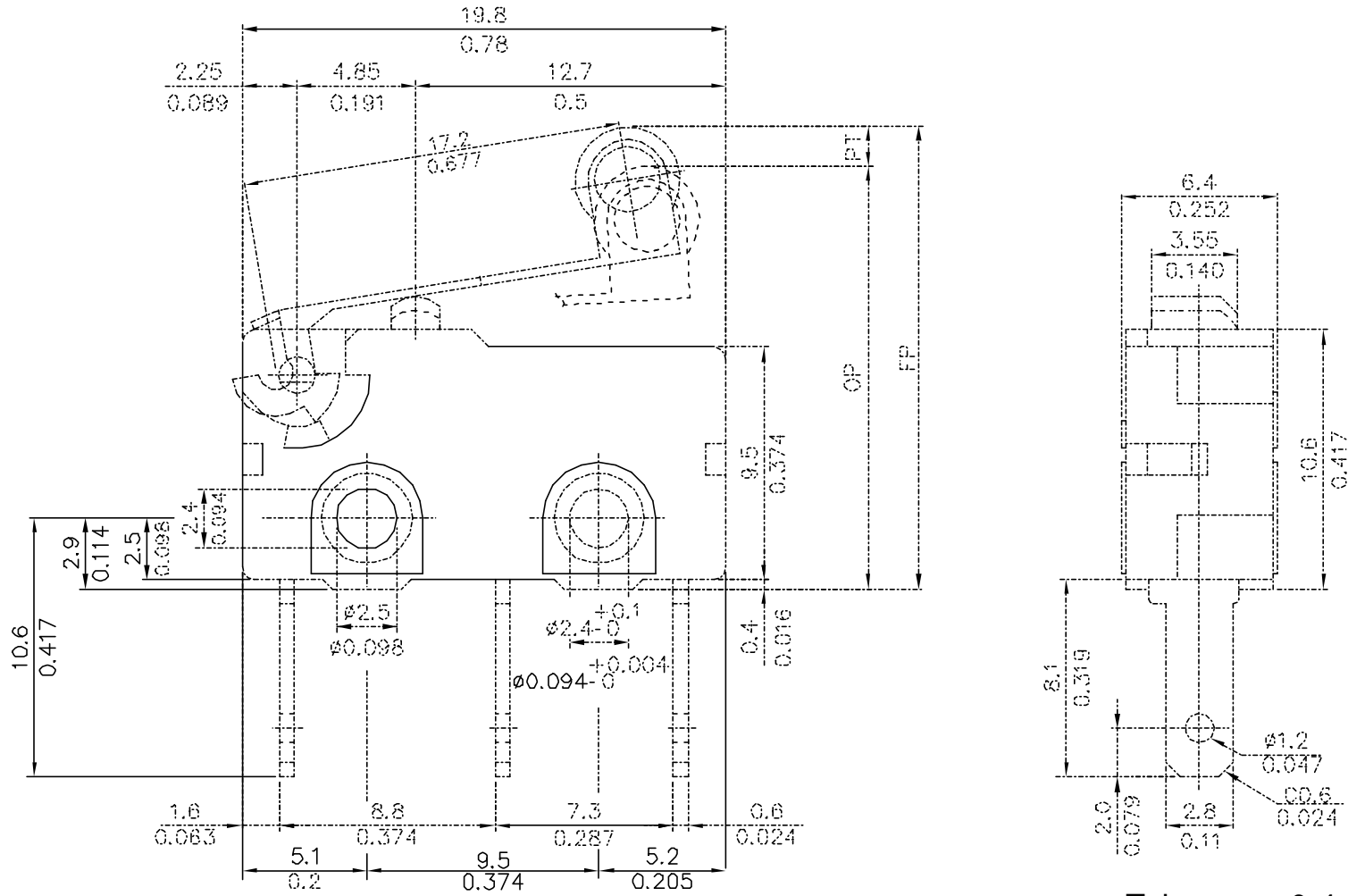


ZV50E70F01



Tolerance ± 0.4 mm
 ± 0.016 inch

	JUN 18, 2002			ADD INCH UNITS			SIZE	A4	UNIT	m m / inch
REV	DATE	APPROVAL	DESIGN	ENGINEERING CHANGE DESCRIPTION	VIEW	DATE	Jun 18, 2002	VER.	2	FILE NAME
					APPROVAL		CONFIRM			DESIGN