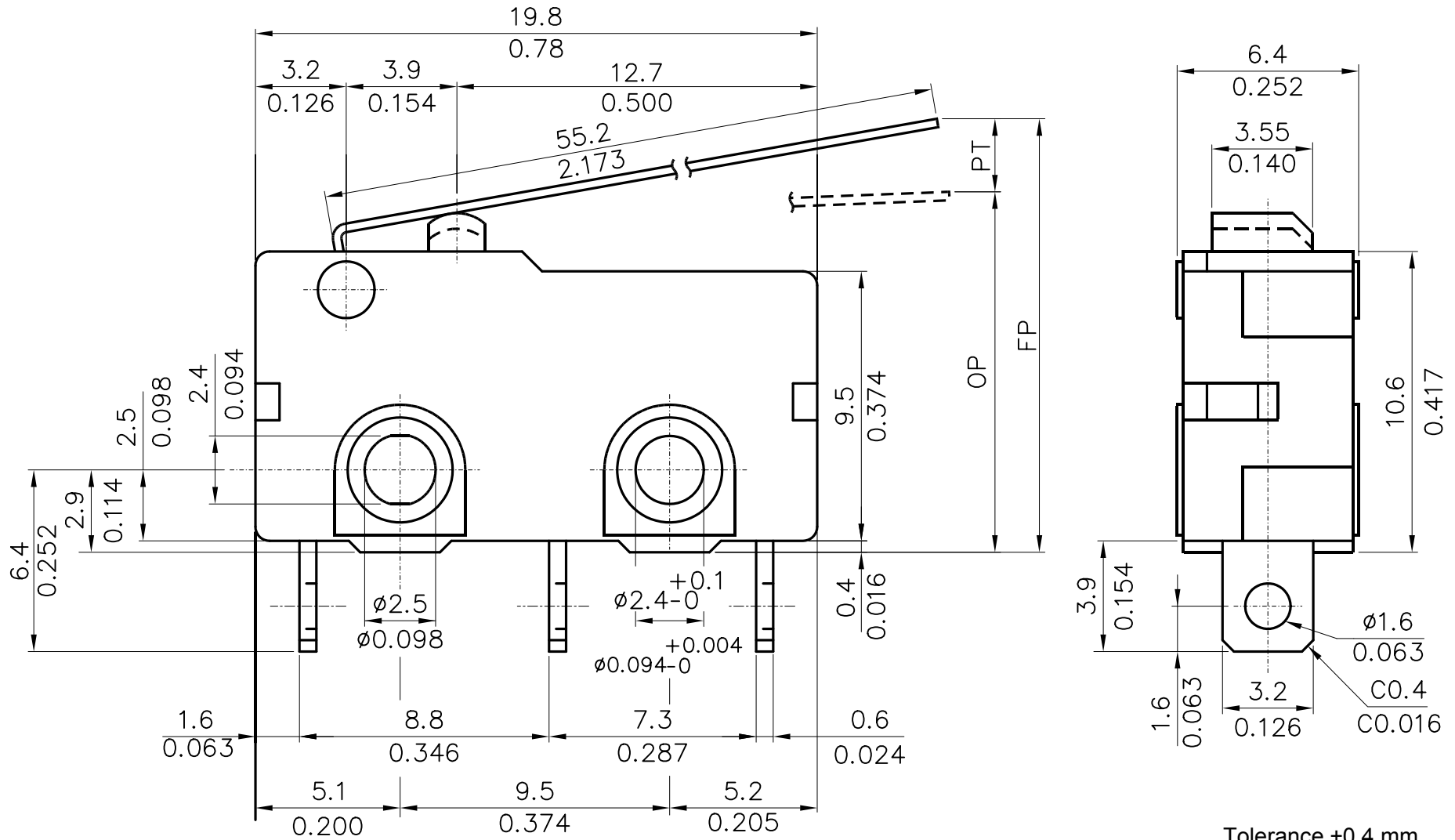


# ZM50B10J01



Tolerance  $\pm 0.4$  mm  
 $\pm 0.016$  inch

REV	DATE	APPROVAL	DESIGN	ENGINEERING CHANGE DESCRIPTION		VIEW		SIZE	A4	UNIT	mm / inch
						DATE	JUL 15, 2002	VER.	1	FILE NAME	
						APPROVAL		CONFIRM		DESIGN	