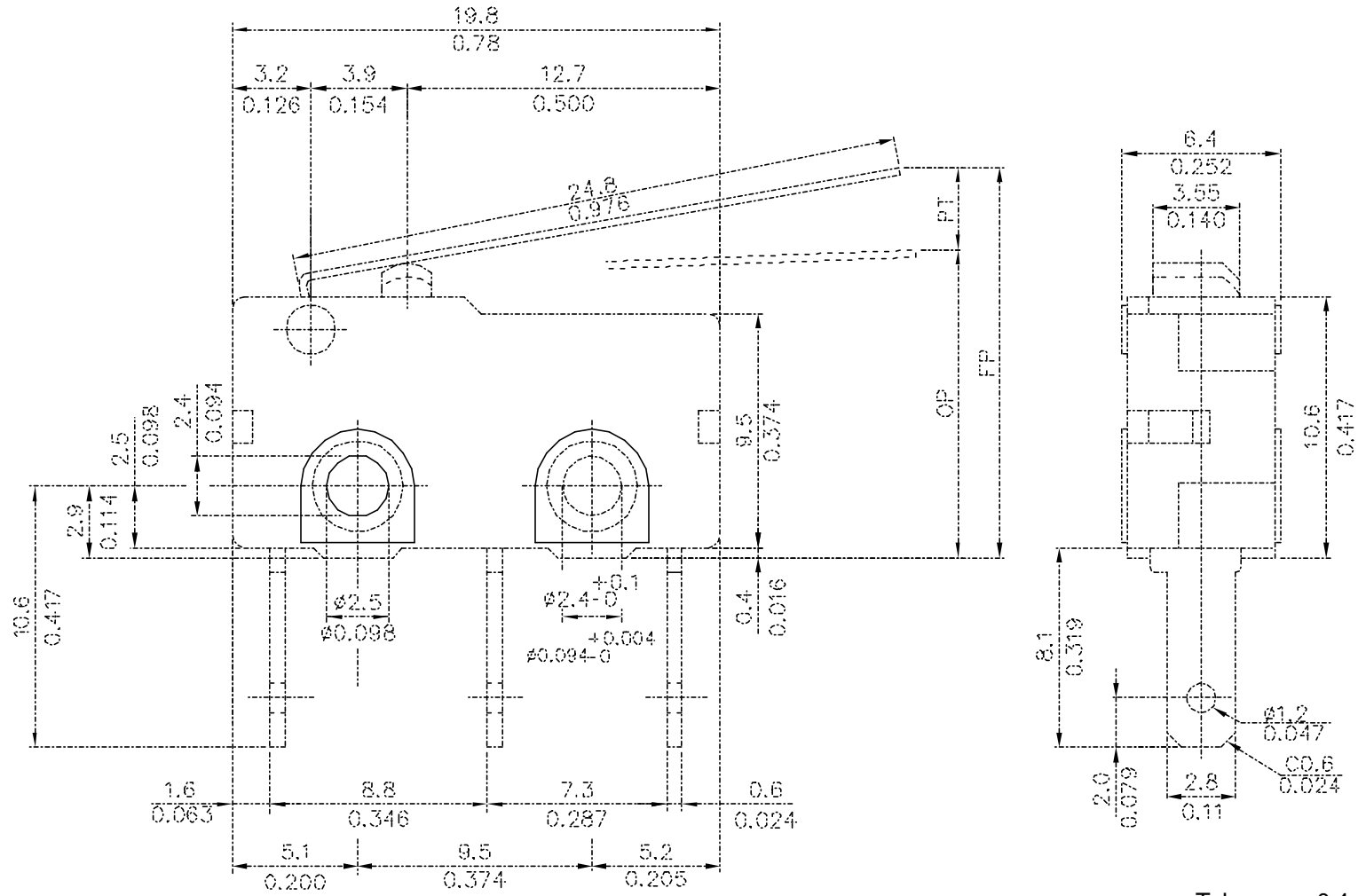


ZM50E70D01



Tolerance ± 0.4 mm
 ± 0.016 inch

△	JUN 19,2002			ADD INCH UNITS						
REV	DATE	APPROVAL	DESIGN	ENGINEERING CHANGE DESCRIPTION	VIEW		SIZE	A4	UNIT	mm / inch
					DATE	JUN 19,2002	VER.	2	FILE NAME	
					APPROVAL		CONFIRM		DESIGN	