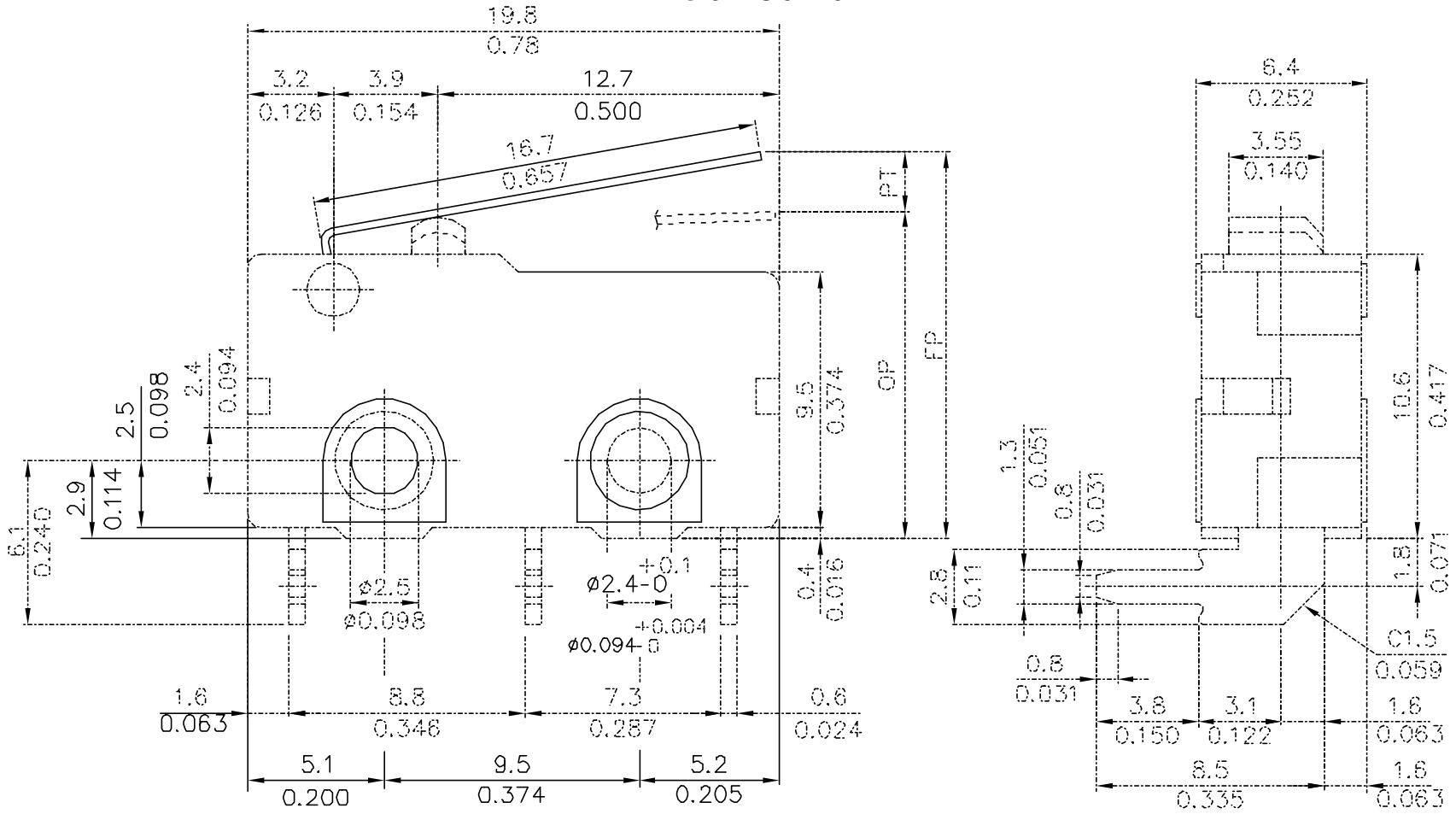


ZM50E60B01



Tolerance ± 0.4 mm
 ± 0.016 inch

	JUN 19,2002			ADD INCH UNITS							
REV	DATE	APPROVAL	DESIGN	ENGINEERING CHANGE DESCRIPTION		VIEW		SIZE	A4	UNIT	mm / inch
						DATE	JUN 19,2002	VER.	2	FILE NAME	
						APPROVAL		CONFIRM		DESIGN	