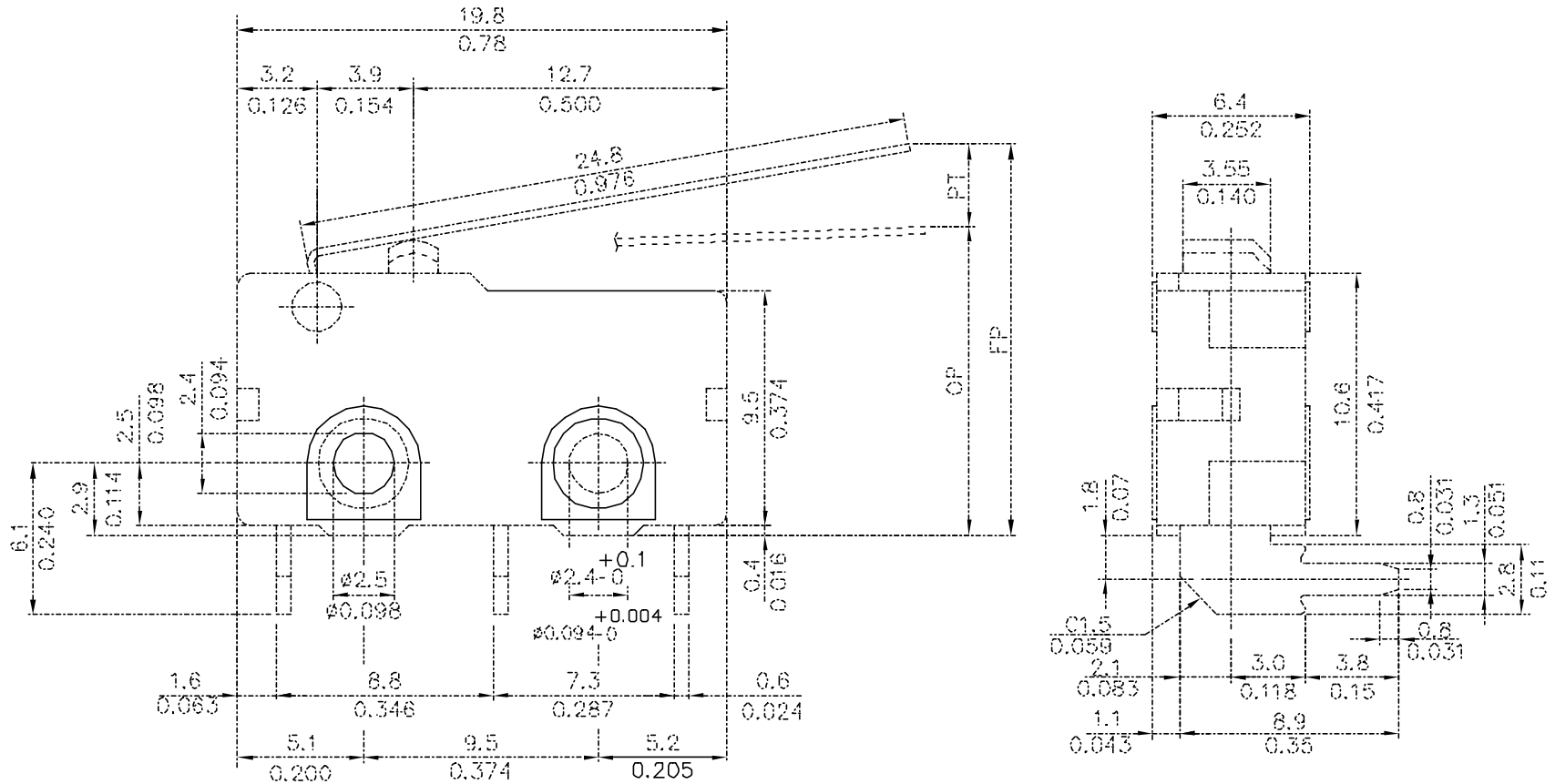


# ZM50E50D01



Tolerance  $\pm 0.4$  mm  
 $\pm 0.016$  inch

JUN 19,2002				ADD INCH UNITS							
REV	DATE	APPROVAL	DESIGN	ENGINEERING CHANGE DESCRIPTION		VIEW		SIZE	A4	UNIT	mm / inch
						DATE	JUN 19,2002	VER.	2	FILE NAME	
						APPROVAL		CONFIRM		DESIGN	