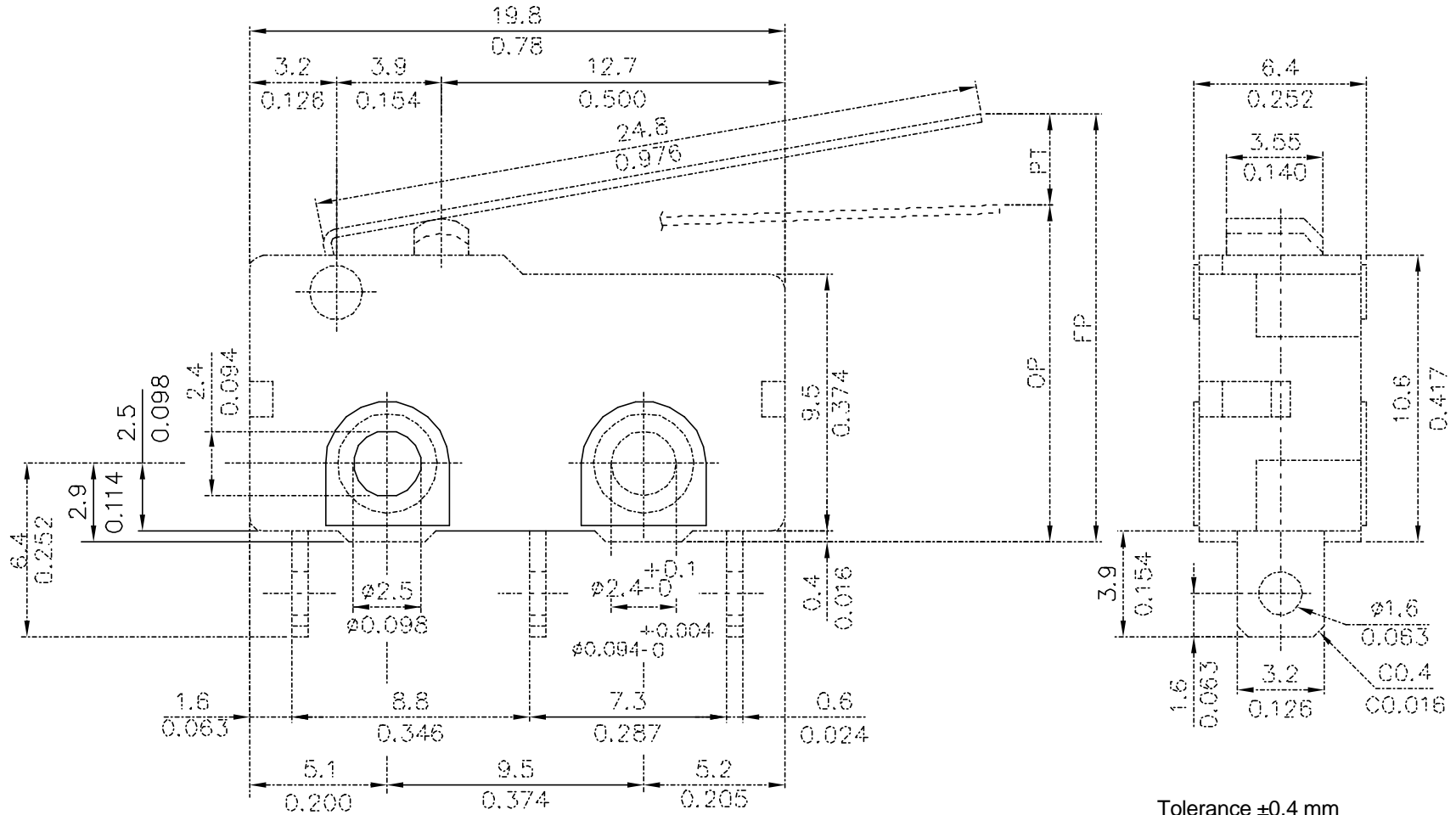


# ZM50E10D01



Tolerance  $\pm 0.4$  mm  
 $\pm 0.016$  inch

△	JUN 13,2002			ADD	INCH UNITS
REV	DATE	APPROVAL	DESIGN	ENGINEERING CHANGE DESCRIPTION	

VIEW		SIZE	A4	UNIT	mm / inch
DATE	JUN 19,2002	VER.	2	FILE NAME	
APPROVAL		CONFIRM		DESIGN	