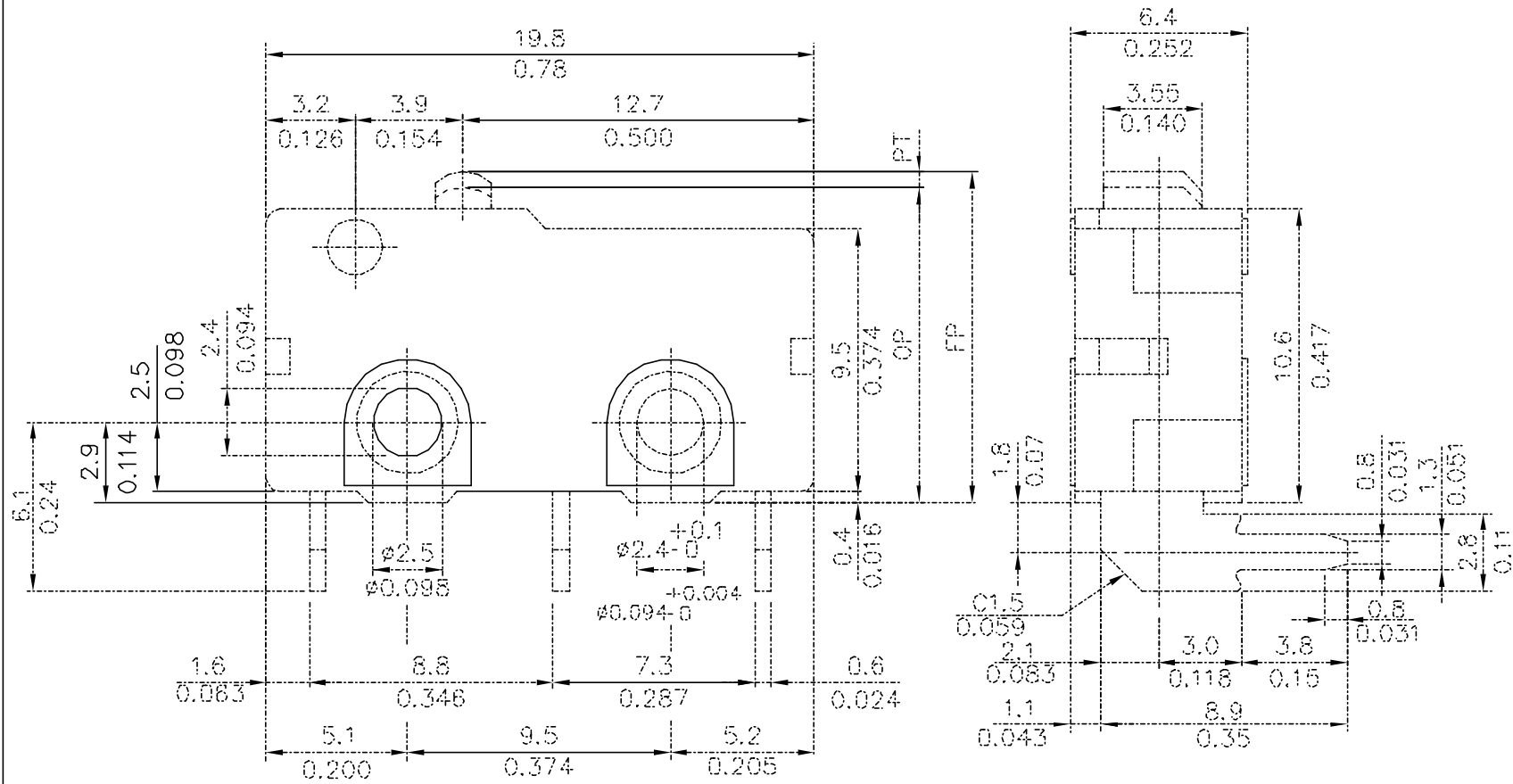


ZM10E50A01



Tolerance ± 0.4 mm
 ± 0.016 inch

REV	DATE	APPROVAL	DESIGN	ENGINEERING CHANGE DESCRIPTION	VIEW	SIZE	A4	UNIT	mm / inch
	JUN 19, 2002			ADD INCH UNITS					
					DATE	JUN 19, 2002	VER.	2	FILE NAME
					APPROVAL		CONFIRM		DESIGN