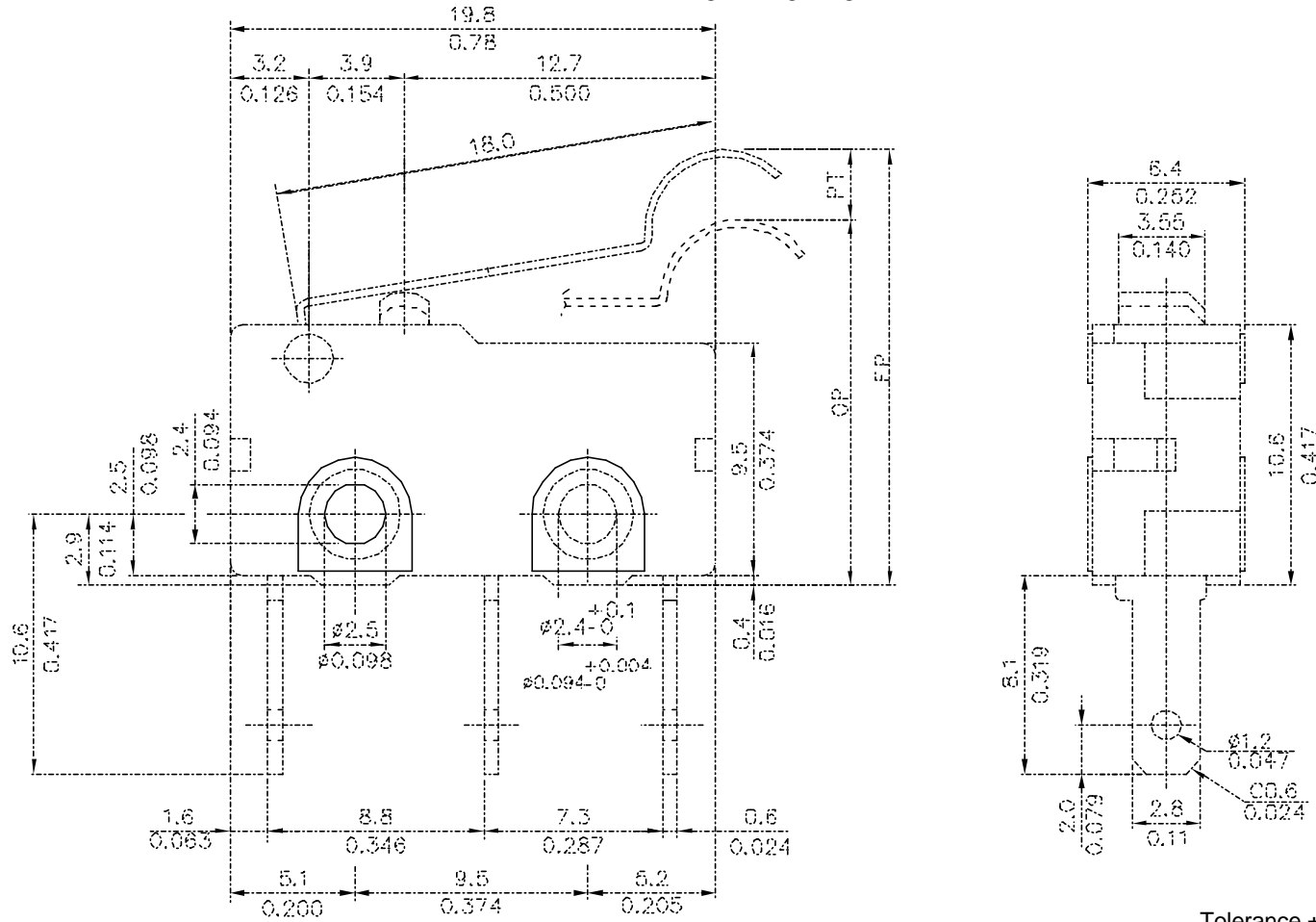


ZM10B70E01



Tolerance ± 0.4 mm
 ± 0.016 inch

| REV | DATE | APPROVAL | DESIGN | ENGINEERING CHANGE DESCRIPTION | VIEW | SIZE | A4 | UNIT | mm / inch |
|-----|--------------|----------|--------|--------------------------------|----------|--------------|---------|------|-----------|
| | JUN 13, 2002 | | | ADD INCH UNITS | | | | | |
| | | | | | DATE | APR 19, 2001 | VER. | 2 | FILE NAME |
| | | | | | APPROVAL | | CONFIRM | | DESIGN |