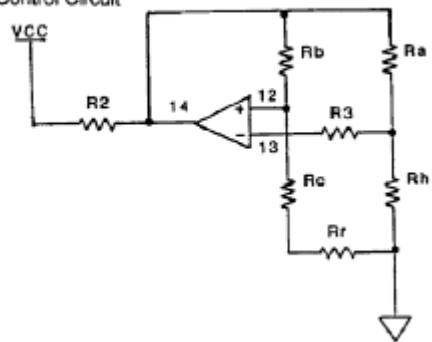


Figure 1**Heater Control Circuit****Figure 2****Sensor Bridge Circuit and Amplification Linearization Circuit**