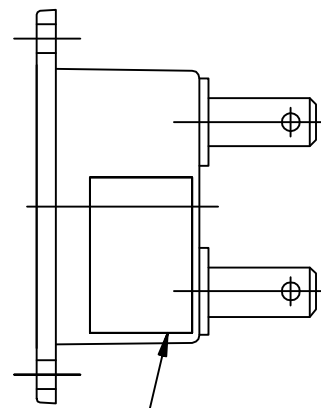


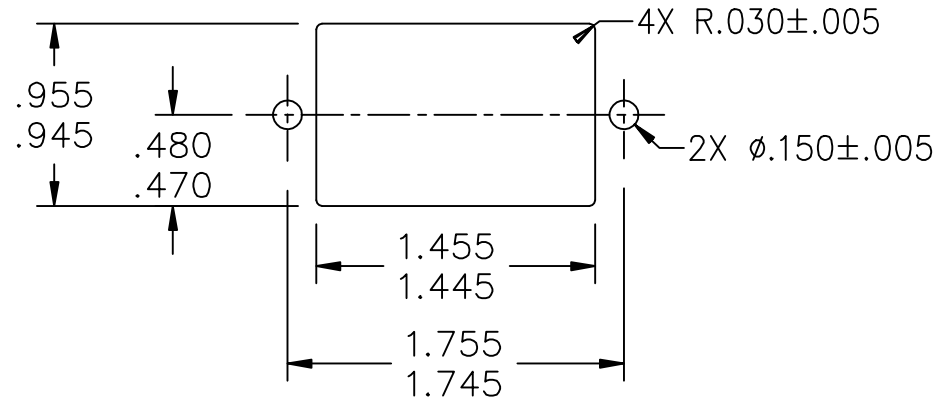
HONEYWELL PART NUMBER
98100

REV	DOCUMENT	CHANGED BY	CHECK
C	0067738	PRS 29JUL10	CMH

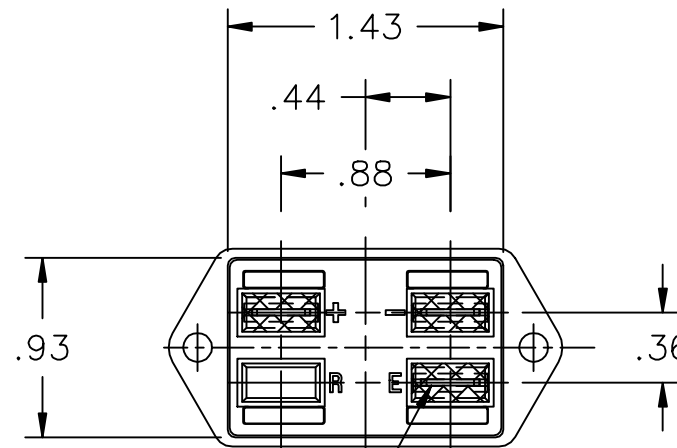
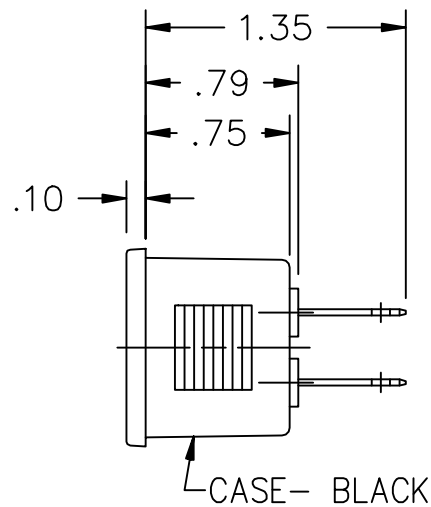
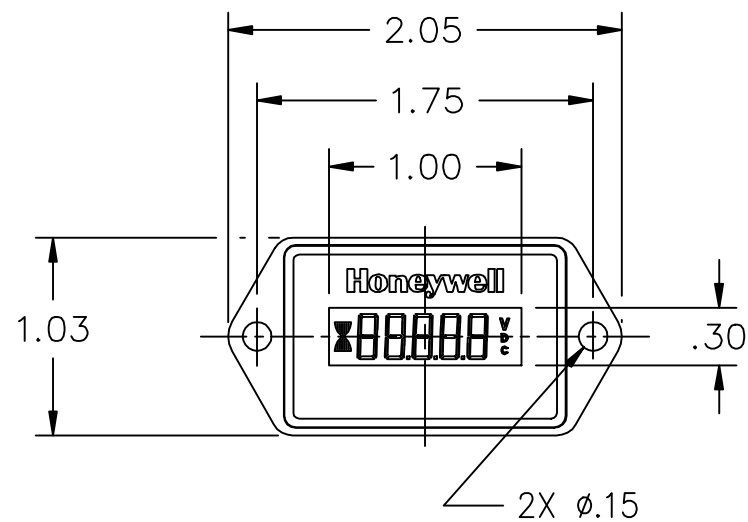
CUSTOMER: _____
 APPROVED BY: _____
 DATE: _____
 CUSTOMER PART NO.: _____



PART NO., VOLTAGE & DATE CODE TO BE PRINTED ON LABEL.



MOUNTING HOLES



TERMINALS TO ACCEPT GM TERMINAL 2962447 AND GM CONNECTOR 2962448 OR EQUIVALENT.

NOTES:

- METER MUST BE MOISTURE RESISTANT WHEN SUBMERGED IN WATER AT +150° F. FOR 3 MINUTES.
- DATE CODE IS A 5 DIGIT NO., 1ST & 2ND DIGITS REPRESENT THE YEAR, THE NEXT 3 DIGITS REPRESENT THE DAY. EXAMPLE: 04285 IS 285TH DAY OF 2004
- OPERATING RANGE: 8 VDC (MIN) THRU 16 VDC (MAX).
- DIMENSIONS ARE FOR REFERENCE ONLY UNLESS OTHERWISE SPECIFIED.

CUSTOMER PRINT

DESIGN UNITS: INCH	DRAWN	DDC	21NOV01
TOLERANCES UNLESS NOTED:	CHECK	-	-
NO PLACES X ±	THIS DRAWING COVERS A PROPRIETARY ITEM AND IS THE PROPERTY OF HONEYWELL. THIS DRAWING IS NOT TO BE COPIED OR USED WITHOUT THE PERMISSION OF HONEYWELL.		
ONE PLACE X ± .020			
TWO PLACE .XX ± .010			
THREE PLACE .XXX ± .005			
FOUR PLACE .XXXX ± .0005			
ANGLES X ± 0°30'	INTERPRET PER ASME Y14.5M-1994 OTHER HONEYWELL ENGINEERING STANDARDS MAY APPLY		
THIRD ANGLE PROJECTION			

DRAWN		DDC		21NOV01	
CHECK		-		-	
THIS DRAWING COVERS A PROPRIETARY ITEM AND IS THE PROPERTY OF HONEYWELL. THIS DRAWING IS NOT TO BE COPIED OR USED WITHOUT THE PERMISSION OF HONEYWELL.					
INTERPRET PER ASME Y14.5M-1994 OTHER HONEYWELL ENGINEERING STANDARDS MAY APPLY					
AUTOCAD		2D			

Honeywell					
TITLE LCD HOUR/VOLT METER 12 VOLT (2 SCREW FLANGE)					
SIZE	TYPE	CAGE CODE	DRAWING NAME	REV	
B	I	-	98100	C	
SCALE		1:1		SHEET	1 OF 1