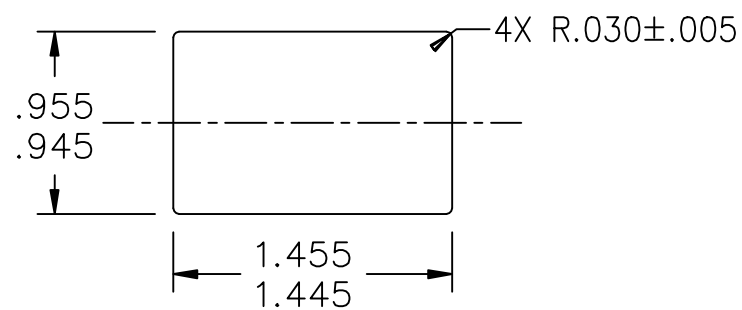


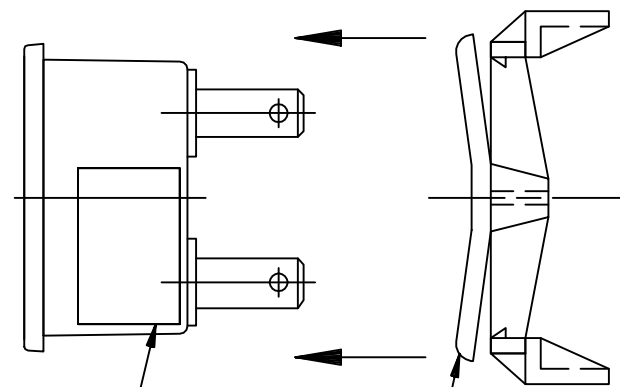
HONEYWELL PART NUMBER
98101

REV	DOCUMENT	CHANGED BY	CHECK
C	0067738	PRS 29JUL10	CMH

CUSTOMER: \_\_\_\_\_  
 APPROVED BY: \_\_\_\_\_  
 DATE: \_\_\_\_\_  
 CUSTOMER  
 PART NO.: \_\_\_\_\_

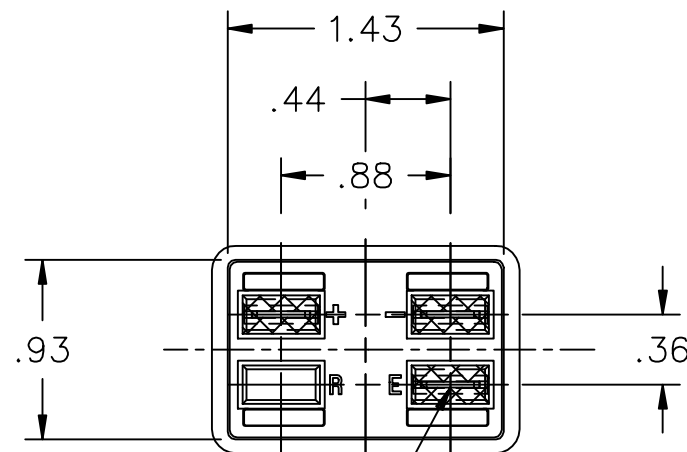
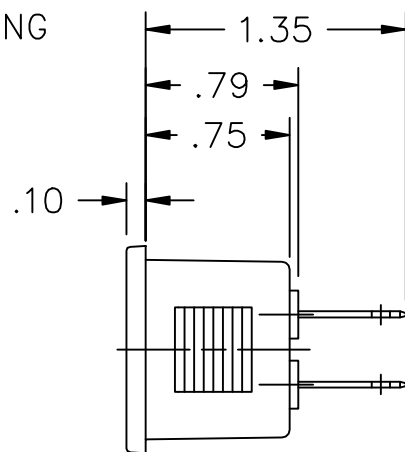
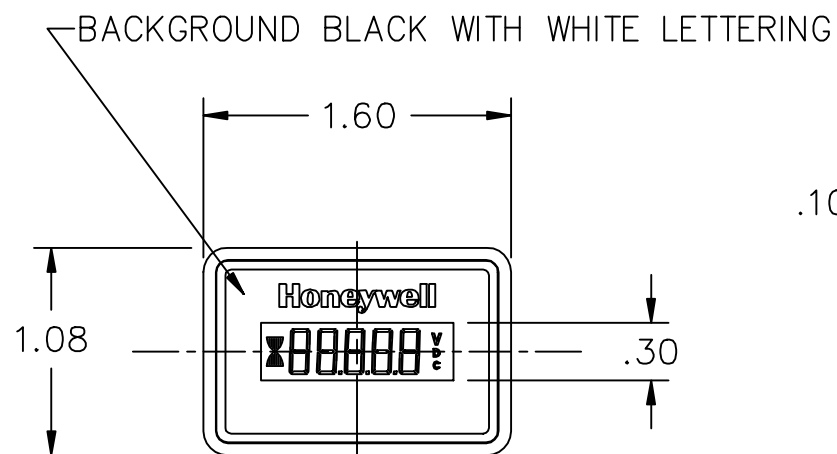


MOUNTING HOLE



RETAINER PACKAGED SEPARATELY

PART NO., VOLTAGE & DATE CODE TO BE PRINTED ON LABEL.



TERMINALS TO ACCEPT GM TERMINAL 2962447  
 AND GM CONNECTOR 2962448 OR EQUIVALENT.

- NOTES:
- METER MUST BE MOISTURE RESISTANT WHEN SUBMERGED IN WATER AT +150° F. FOR 3 MINUTES.
  - DATE CODE IS A 5 DIGIT NO., 1ST & 2ND DIGITS REPRESENT THE YEAR, THE NEXT 3 DIGITS REPRESENT THE DAY. EXAMPLE: 04285 IS 285TH DAY OF 2004
  - OPERATING RANGE: 8 VDC (MIN) THRU 16 VDC (MAX).
  - DIMENSIONS ARE FOR REFERENCE ONLY UNLESS OTHERWISE SPECIFIED.

CUSTOMER PRINT

DESIGN UNITS: INCH	DRAWN	DDC	21NOV01
TOLERANCES UNLESS NOTED:	CHECK	-	-
NO PLACES X ±	THIS DRAWING COVERS A PROPRIETARY ITEM AND IS THE PROPERTY OF HONEYWELL. THIS DRAWING IS NOT TO BE COPIED OR USED WITHOUT THE PERMISSION OF HONEYWELL.		
ONE PLACE .X ±			
TWO PLACE .XX ±			
THREE PLACE .XXX ±			
FOUR PLACE .XXXX ±			
ANGLES X ±	INTERPRET PER ASME Y14.5M-1994 OTHER HONEYWELL ENGINEERING STANDARDS MAY APPLY		
THIRD ANGLE PROJECTION			

THIS DRAWING COVERS A PROPRIETARY ITEM AND IS THE PROPERTY OF HONEYWELL. THIS DRAWING IS NOT TO BE COPIED OR USED WITHOUT THE PERMISSION OF HONEYWELL.				TITLE			
				LCD HOUR/VOLT METER 12 VOLT (RETAINER MOUNT)			
SIZE	TYPE	CAGE CODE	DRAWING NAME	REV			
B	I	-	98101	C			
SCALE		1:1	SHEET		1 OF 1		

<b>Honeywell</b>							
TITLE							
LCD HOUR/VOLT METER 12 VOLT (RETAINER MOUNT)							
SIZE	TYPE	CAGE CODE	DRAWING NAME	REV			
B	I	-	98101	C			
SCALE		1:1	SHEET		1 OF 1		