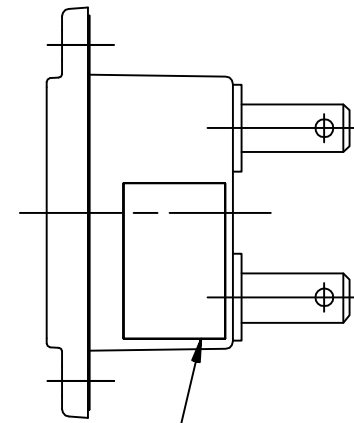
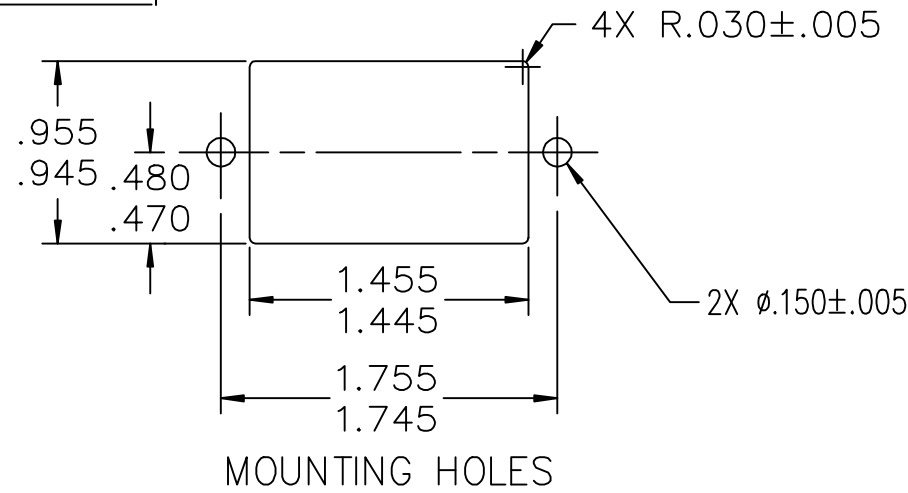


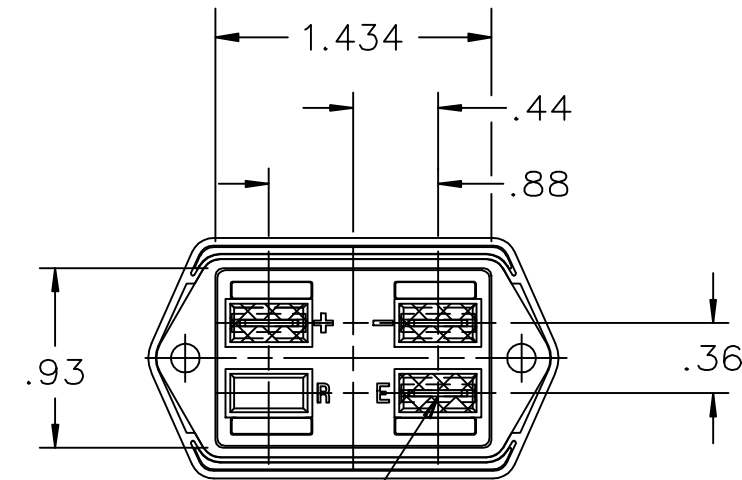
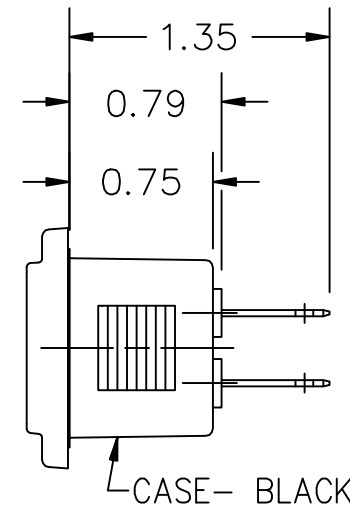
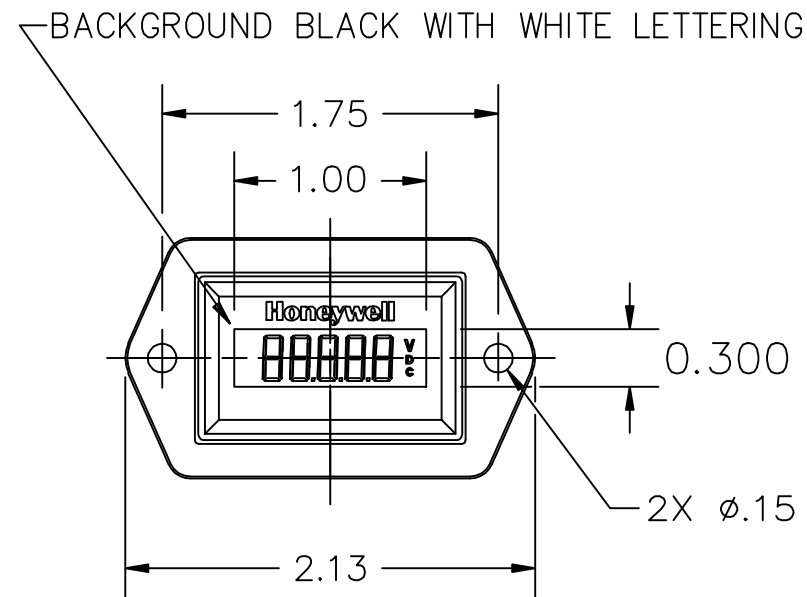
HONEYWELL
PART NUMBER
98103-001

REV	DOCUMENT	CHANGED BY	CHECK
B	0067740	SSK 27JUL10	CMH

CUSTOMER: _____
APPROVED BY: _____
DATE: _____
CUSTOMER PART NO.: _____



PART NO., VOLTAGE & DATE CODE TO BE PRINTED ON LABEL.



TERMINALS TO ACCEPT GM TERMINAL 2962447 AND GM CONNECTOR 2962448 OR EQUIVALENT.

CUSTOMER PRINT

NOTES:

- METER MUST BE MOISTURE RESISTANT WHEN SUBMERGED IN WATER AT +150° F. FOR 3 MINUTES.
- DATE CODE IS A 5 DIGIT NO., 1ST & 2ND DIGITS REPRESENT THE YEAR, THE NEXT 3 DIGITS REPRESENT THE DAY. EXAMPLE: 04285 IS 285TH DAY OF 2004
- OPERATING RANGE: 8 VDC (MIN) THRU 16 VDC (MAX).

DESIGN UNITS:	INCH
TOLERANCES UNLESS NOTED:	
NO PLACE	X ± .040
ONE PLACE	.X ± .030
TWO PLACE	.XX ± .015
THREE PLACE	.XXX ± .005
FOUR PLACE	.XXXX ± .0005
ANGLES	± 2°
THIRD ANGLE PROJECTION	

DRAWN	BM	24JUN04
CHECK	AK	24JUN04
THIS DRAWING COVERS A PROPRIETARY ITEM AND IS THE PROPERTY OF HONEYWELL. THIS DRAWING IS NOT TO BE COPIED OR USED WITHOUT THE PERMISSION OF HONEYWELL.		
INTERPRET PER ASME Y14.5M-1994 OTHER HONEYWELL ENGINEERING STANDARDS MAY APPLY		
AUTOCAD 2D		

Honeywell			
TITLE LCD HOUR/VOLT METER 12 VOLT DELUXE BEZEL (2 SCREW FLANGE)			
SIZE	TYPE	DRAWING NAME	REV
B	I	98103	B
SCALE	1:1	SHEET	1 OF 1