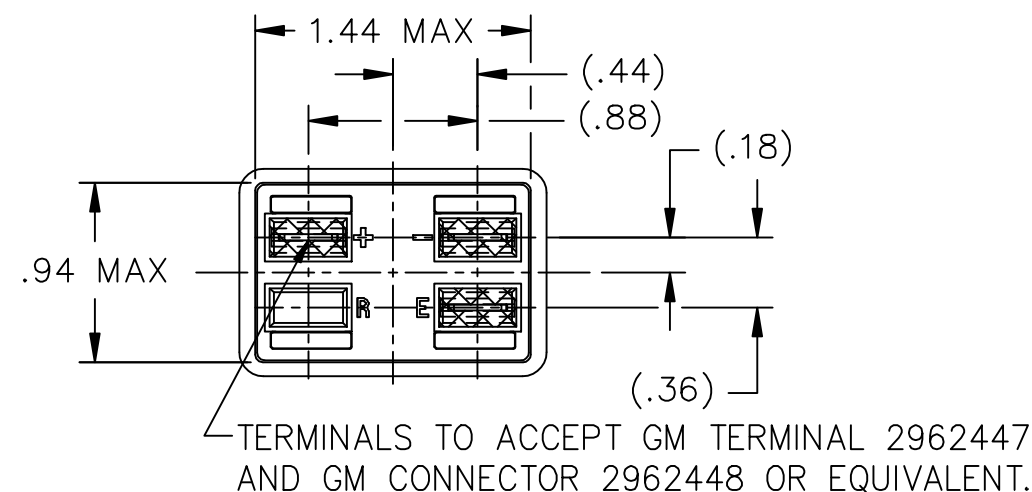
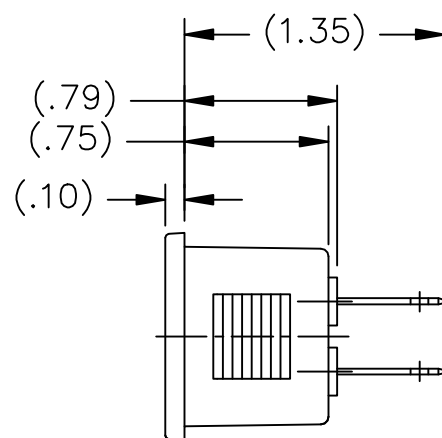
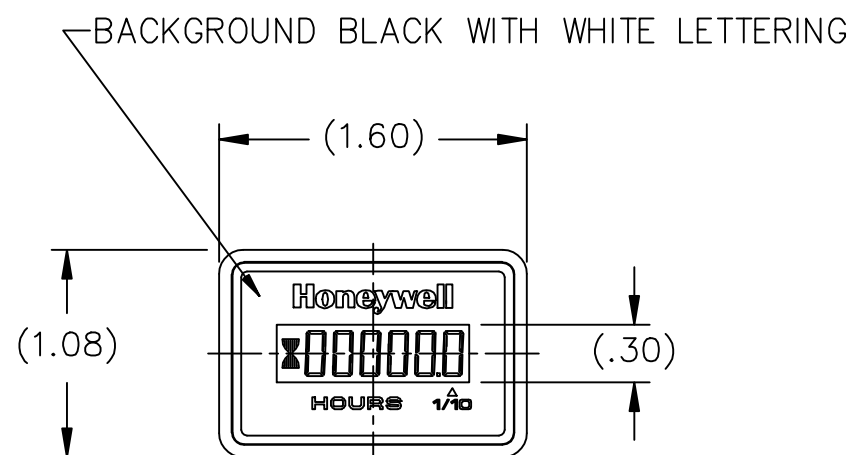
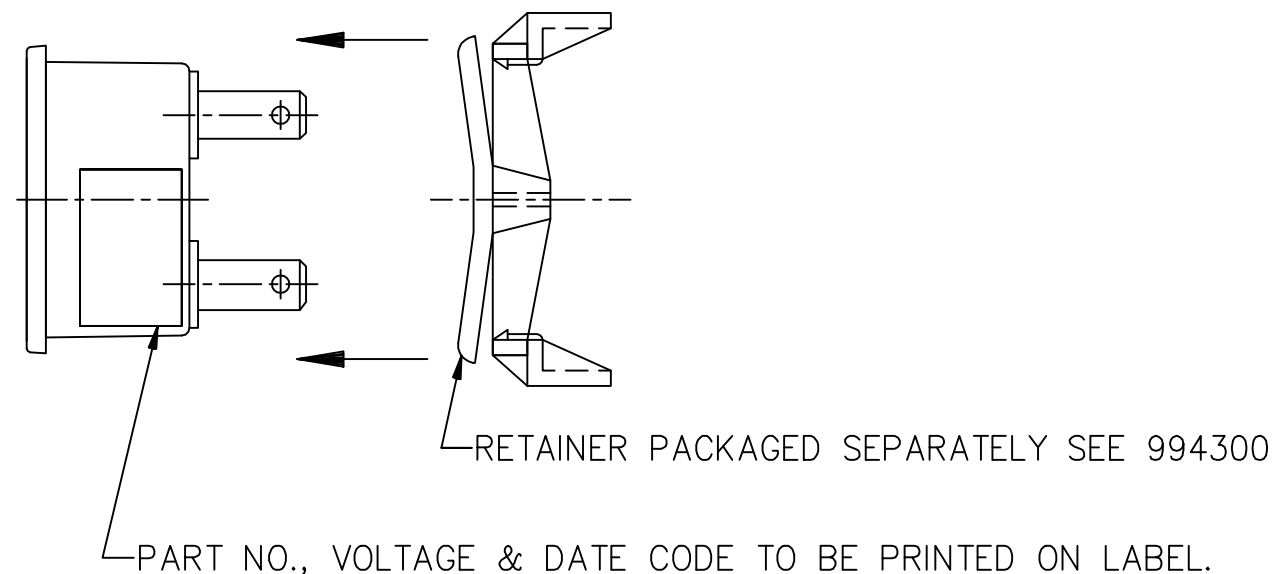
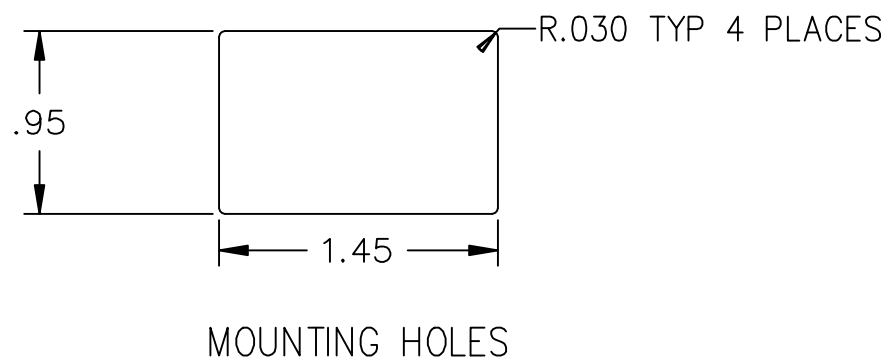


| |
|-----------------------------------|
| HONEYWELL PART NUMBER 98321 |
|-----------------------------------|

| REV | DOCUMENT | CHANGED BY | CHECK |
|-----|----------|-------------|-------|
| C | 0067206 | SSK 14JUL10 | CMH |



NOTES:

- METER MUST BE MOISTURE RESISTANT WHEN SUBMERGED IN WATER AT +150° F. FOR 3 MINUTES.
- SEE 994300 FOR PACKING OPTIONS.
- DATE CODE IS A 5 DIGIT NO., 1ST & 2ND DIGITS REPRESENT THE YEAR, THE NEXT 3 DIGITS REPRESENT THE DAY. EXAMPLE: 92285 IS 285TH DAY OF 1992
- OPERATING RANGE: 9 VDC (MIN) THRU 64 VDC (MAX).
- RETAINER TO BE SHIPPED LOOSE & INSTALLED BY CUST.

CUSTOMER PRINT

| | | | | | | | | |
|--------------------------|--|-----|---------|---|------|-----------|--------------|-----|
| DESIGN UNITS: INCH | DRAWN | DDC | 21OCT98 | Honeywell | | | | |
| TOLERANCES UNLESS NOTED: | CHECK | - | - | | | | | |
| NO PLACE X ± - | THIS DRAWING COVERS A PROPRIETARY ITEM AND IS THE PROPERTY OF HONEYWELL. THIS DRAWING IS NOT TO BE COPIED OR USED WITHOUT THE PERMISSION OF HONEYWELL. | | | TITLE | | | | |
| ONE PLACE .X ± .020 | | | | LCD HOURMETER (WITH ENABLE) | | | | |
| TWO PLACE .XX ± .010 | | | | 12-48 VDC SYSTEM 100,000 HRS (RETAINER MOUNT) | | | | |
| THREE PLACE .XXX ± .005 | | | | SIZE | TYPE | CAGE CODE | DRAWING NAME | REV |
| FOUR PLACE .XXXX ± .0005 | | | | B | I | - | 98321 | C |
| ANGLES X ± 0° 30' | INTERPRET PER ASME Y14.5M-1994 OTHER HONEYWELL ENGINEERING STANDARDS MAY APPLY | | | SCALE | 1:1 | SHEET | 1 OF 1 | |
| THIRD ANGLE PROJECTION | | | | | | | | |
| AUTOCAD 2D | | | | | | | | |