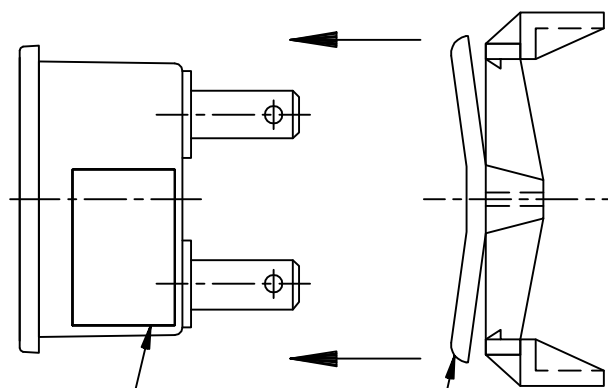
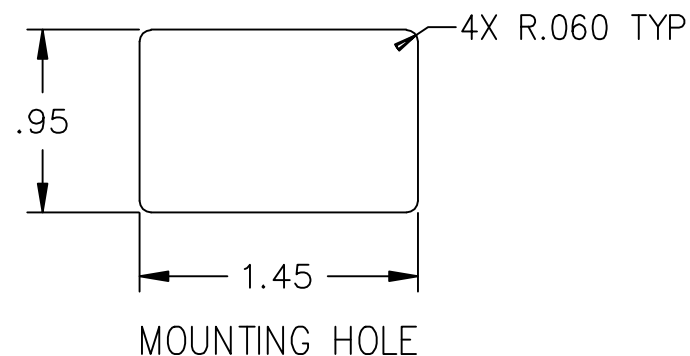


HONEYWELL PART NUMBER
98301

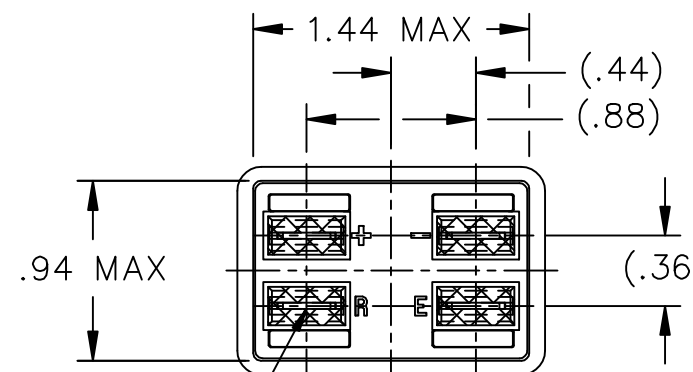
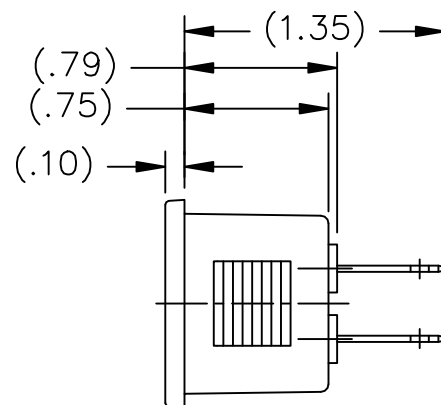
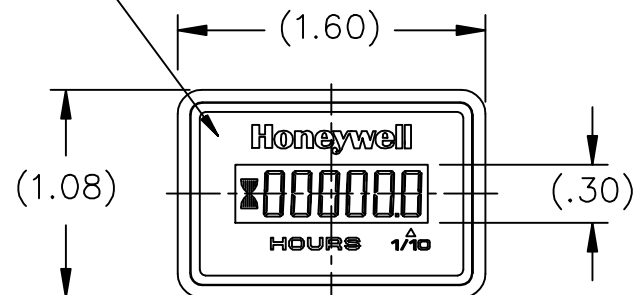
REV	DOCUMENT	CHANGED BY	CHECK
B	0067738	PRS 29JUL10	CMH



RETAINER PACKAGED SEPARATELY (SEE 994300)

PART NO., VOLTAGE & DATE CODE TO BE PRINTED ON LABEL.

BACKGROUND BLACK WITH WHITE LETTERING



TERMINALS TO ACCEPT GM TERMINAL 2962447 AND GM CONNECTOR 2962448 OR EQUIVALENT.

NOTES:

- METER MUST BE MOISTURE RESISTANT WHEN SUBMERGED IN WATER AT +150° F. FOR 3 MINUTES.
- SEE (994300) FOR PACKING OPTIONS.
- DATE CODE IS A 5 DIGIT NO., 1ST & 2ND DIGITS REPRESENT THE YEAR, THE NEXT 3 DIGITS REPRESENT THE DAY. EXAMPLE: 92285 IS 285TH DAY OF 1992
- OPERATING RANGE: 9 VDC (MIN) THRU 64 VDC (MAX).
- RETAINER TO BE SHIPPED LOOSE & INSTALLED BY CUST.

CUSTOMER PRINT

DESIGN UNITS: INCH	DRAWN	DDC	16DEC97	Honeywell				
TOLERANCES UNLESS NOTED:	CHECK	-	-					
NO PLACE X ± -	THIS DRAWING COVERS A PROPRIETARY ITEM AND IS THE PROPERTY OF HONEYWELL. THIS DRAWING IS NOT TO BE COPIED OR USED WITHOUT THE PERMISSION OF HONEYWELL.			TITLE				
ONE PLACE .X ± .020				LCD HOURMETER (WITH ENABLE & RESET) 12-48 VDC SYSTEM 100,000 HRS (RETAINER MOUNT)				
TWO PLACE .XX ± .010								SIZE
THREE PLACE .XXX ± .005				INTERPRET PER ASME Y14.5M-1994 OTHER HONEYWELL ENGINEERING STANDARDS MAY APPLY			B	I
FOUR PLACE .XXXX ± .0005	AUTOCAD 2D			SCALE	1:1		SHEET	1 OF 1
ANGLES X ± 0° 30'	THIRD ANGLE PROJECTION							