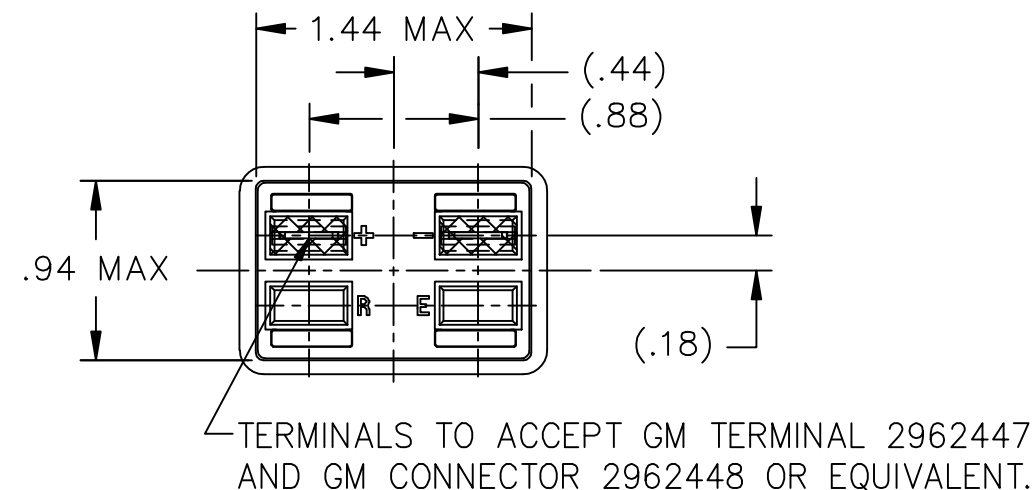
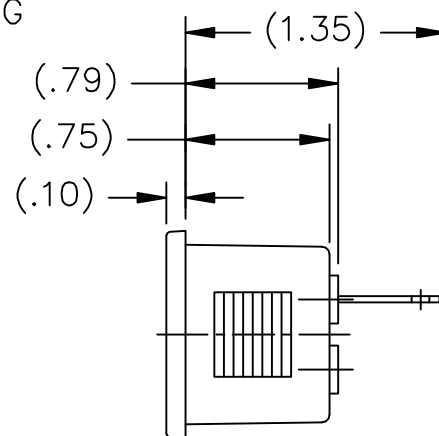
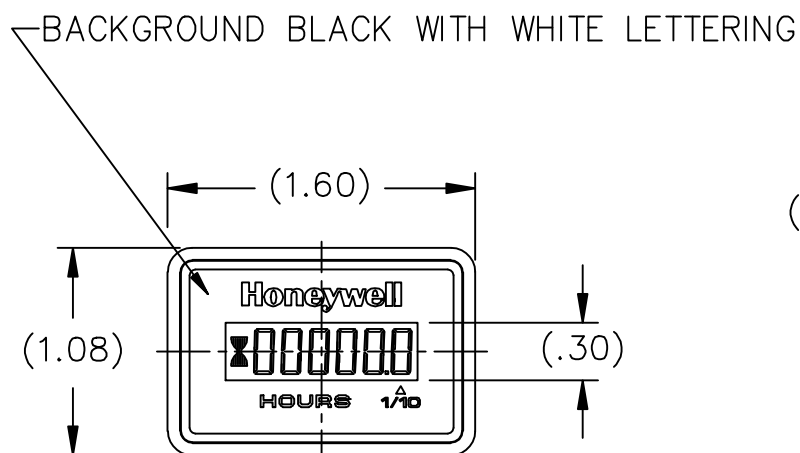
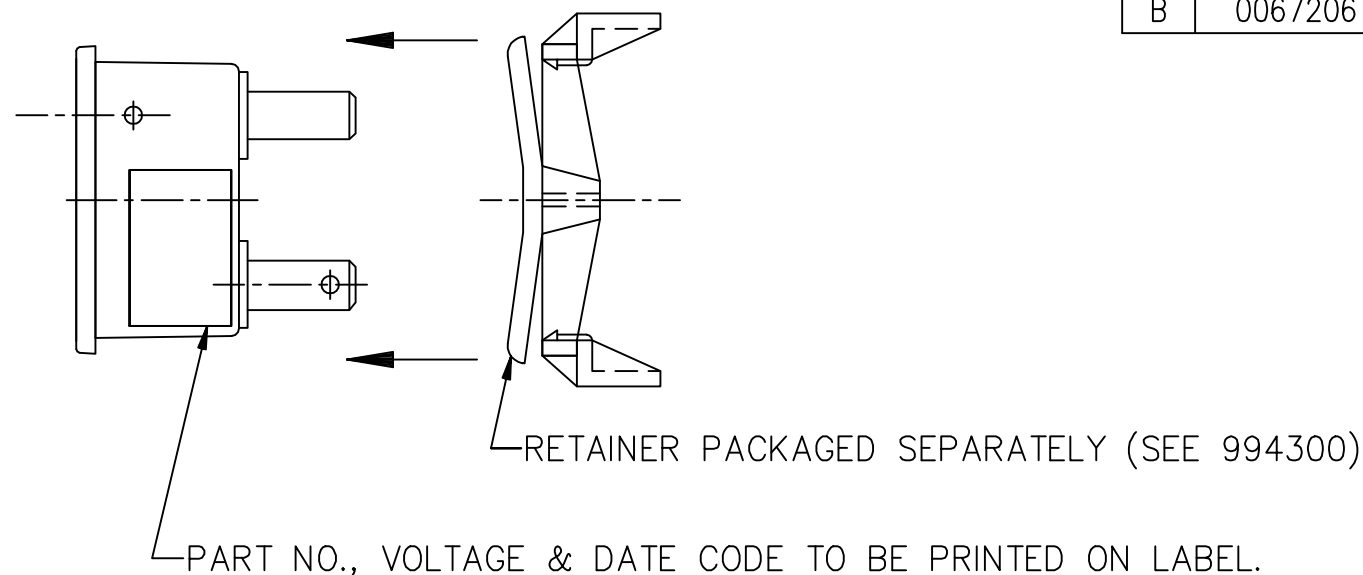
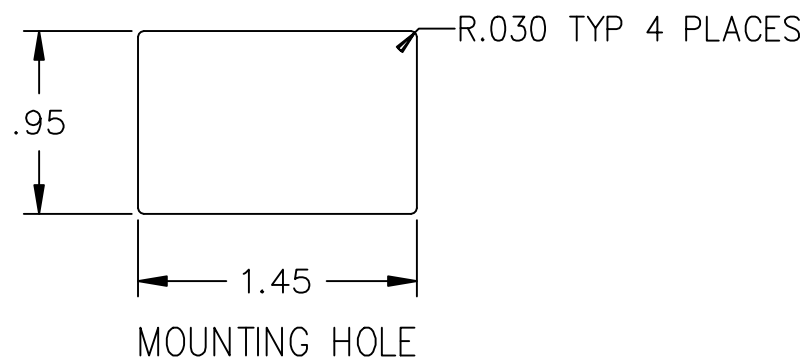


HONEYWELL
PART NUMBER
98311

REV	DOCUMENT	CHANGED BY	CHECK
B	0067206	SSK 13JUL10	CMH



NOTES:

- METER MUST BE MOISTURE RESISTANT WHEN SUBMERGED IN WATER AT +150° F. FOR 3 MINUTES.
- SEE (994300) FOR PACKING OPTIONS.
- DATE CODE IS A 5 DIGIT NO., 1ST & 2ND DIGITS REPRESENT THE YEAR, THE NEXT 3 DIGITS REPRESENT THE DAY. EXAMPLE: 92285 IS 285TH DAY OF 1992
- OPERATING RANGE: 9 VDC (MIN) THRU 64 VDC (MAX).
- RETAINER TO BE SHIPPED LOOSE & INSTALLED BY CUST.

CUSTOMER PRINT

DESIGN UNITS: INCH	DRAWN	DDC	21OCT98	Honeywell				
TOLERANCES UNLESS NOTED:	CHECK	-	-					
NO PLACE X ± -	THIS DRAWING COVERS A PROPRIETARY ITEM AND IS THE PROPERTY OF HONEYWELL. THIS DRAWING IS NOT TO BE COPIED OR USED WITHOUT THE PERMISSION OF HONEYWELL.			TITLE				
ONE PLACE .X ± .020				LCD HOURMETER (2 TERMINAL)				
TWO PLACE .XX ± .010				12-48 VDC SYSTEM 100,000 HRS (RETAINER MOUNT)				
THREE PLACE .XXX ± .005				SIZE	TYPE	CAGE CODE	DRAWING NAME	REV
FOUR PLACE .XXXX ± .0005	INTERPRET PER ASME Y14.5M-1994 OTHER HONEYWELL ENGINEERING STANDARDS MAY APPLY			B	I	-	98311	B
ANGLES X ± 0° 30'	AUTOCAD 2D			SCALE	1:1	SHEET	1 OF 1	

