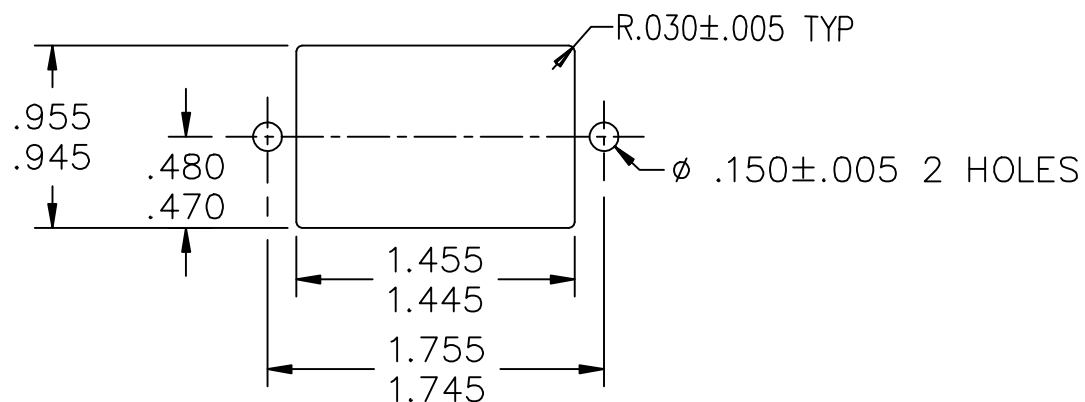


HONEYWELL
PART NUMBER

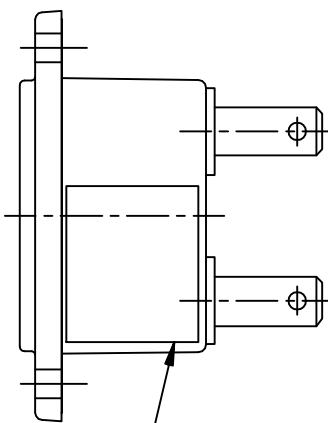
98313

REV	DOCUMENT	CHANGED BY	CHECK
B	0067206	SSK 14JUL10	CMH

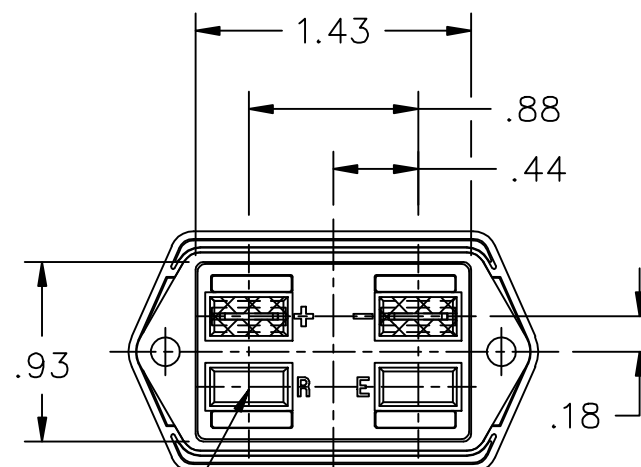
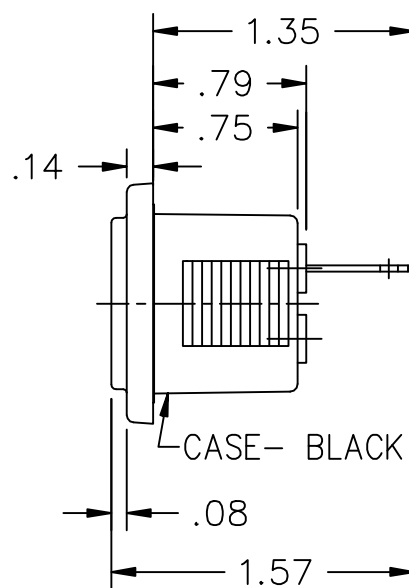
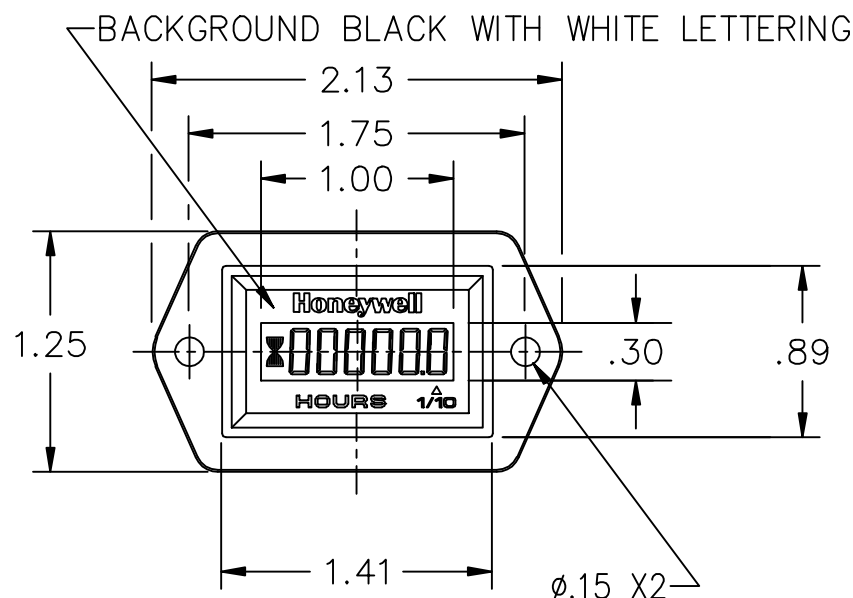
CUSTOMER: _____
 APPROVED BY: _____
 DATE: _____
 CUSTOMER PART NO.: _____



MOUNTING HOLES



PART NO., VOLTAGE & DATE CODE TO BE PRINTED ON LABEL.



TERMINALS TO ACCEPT GM TERMINAL 2962447 AND GM CONNECTOR 2962448 OR EQUIVALENT.

NOTES:

- METER MUST BE MOISTURE RESISTANT WHEN SUBMERGED IN WATER AT +150° F. FOR 3 MINUTES.
- SEE 994300 FOR PACKING OPTIONS.
- DATE CODE IS A 5 DIGIT NO., 1ST & 2ND DIGITS REPRESENT THE YEAR, THE NEXT 3 DIGITS REPRESENT THE DAY. EXAMPLE: 92285 IS 285TH DAY OF 1992.
- OPERATING RANGE: 9 VDC (MIN) THRU 64 VDC (MAX).
- DIMENSIONS ARE FOR REFERENCE ONLY UNLESS OTHERWISE SPECIFIED.

CUSTOMER PRINT

DESIGN UNITS: INCH	DRAWN	DDC	14MAY98		
TOLERANCES UNLESS NOTED:	CHECK	-	-		
NO PLACES X ± -	THIS DRAWING COVERS A PROPRIETARY ITEM AND IS THE PROPERTY OF HONEYWELL. THIS DRAWING IS NOT TO BE COPIED OR USED WITHOUT THE PERMISSION OF HONEYWELL. INTERPRET PER ASME Y14.5M-1994 OTHER HONEYWELL ENGINEERING STANDARDS MAY APPLY AUTOCAD 2D				
ONE PLACE .X ± .020					
TWO PLACE .XX ± .010					
THREE PLACE .XXX ± .005					
FOUR PLACE .XXXX ± .0005					
ANGLES X ± 0°30'	SIZE	TYPE	CAGE CODE	DRAWING NAME	REV
THIRD ANGLE PROJECTION	B	I	-	98313	B
	SCALE	1:1	SHEET	1 OF 1	

Honeywell

TITLE LCD HOURMETER (2 TERMINAL)
12-48 VDC SYSTEM 100,000 HRS (2 SCREW FLANGE)

SIZE	TYPE	CAGE CODE	DRAWING NAME	REV
B	I	-	98313	B
SCALE	1:1	SHEET	1 OF 1	