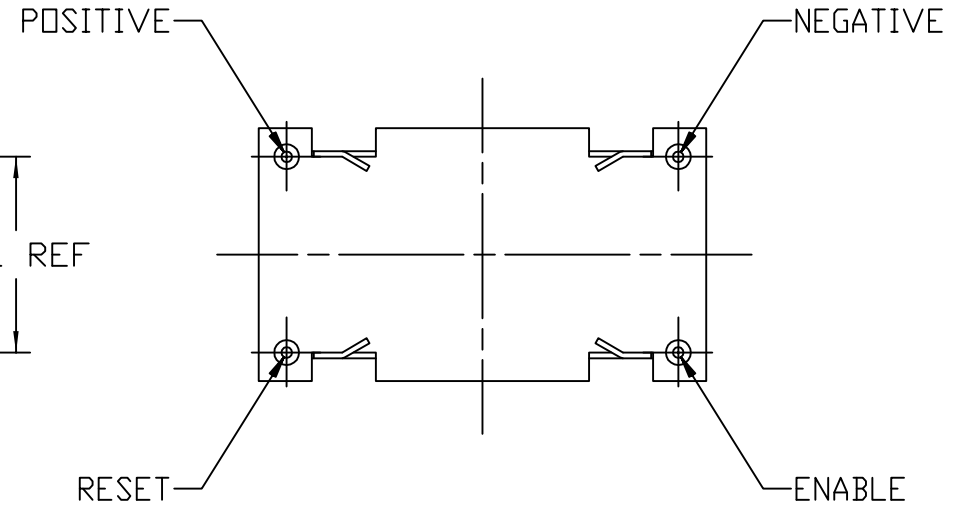
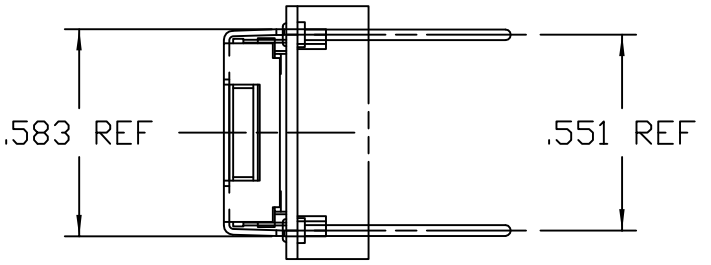
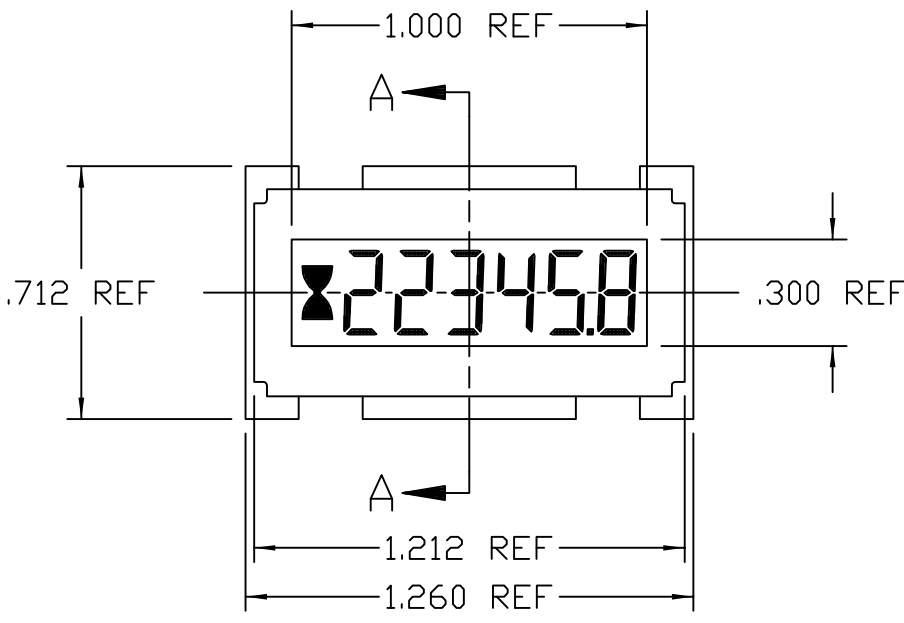
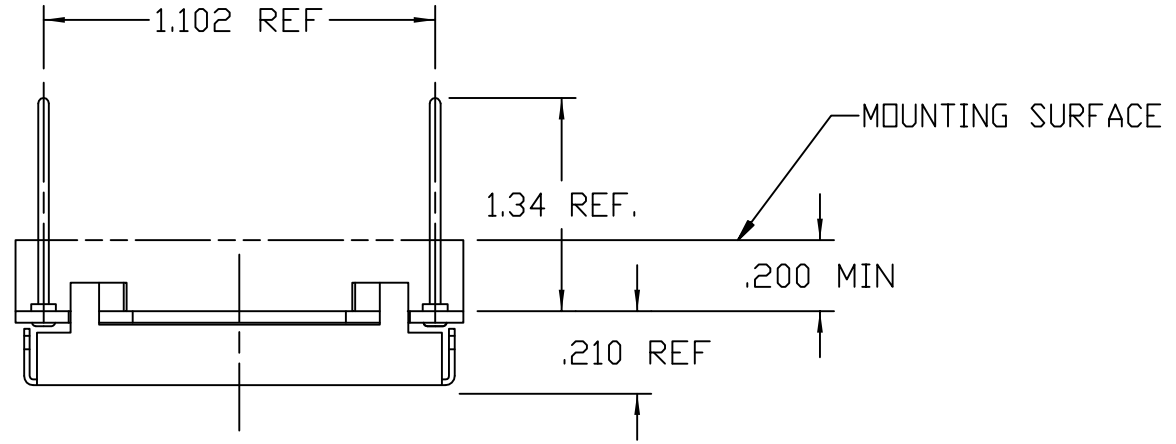


HONEYWELL
PART NUMBER
98755-001

REV	DOCUMENT	CHANGED BY	CHECK
B	0032366	MST 17JUL07	PSR



- NOTES:
- CAUTION, MODULE SUPPLIED WITH CRITICAL COMPONENTS EXPOSED. CUSTOMER MUST PROVIDE ADEQUATE PROTECTION FOR INTENDED APPLICATION.
 - PRODUCT CONTENT MUST COMPLY WITH THE REQUIREMENTS OF THE CURRENT RoHS DIRECTIVE.

DESIGN UNITS: INCH	
TOLERANCES UNLESS NOTED:	
NO PLACE	X ± 0.400
ONE PLACE	.X ± 0.030
TWO PLACE	.XX ± 0.015
THREE PLACE	.XXX ± 0.005
FOUR PLACE	.XXXX ± 0.0005
ANGLES	X ± 3
THIRD ANGLE PROJECTION	

DRAWN	SK	29MAR06
CHECK	AS	29MAR06
THIS DRAWING COVERS A PROPRIETARY ITEM AND IS THE PROPERTY OF HONEYWELL. THIS DRAWING IS NOT TO BE COPIED OR USED WITHOUT THE PERMISSION OF HONEYWELL.		
INTERPRET PER ASME Y14.5M-1994 OTHER HONEYWELL ENGINEERING STANDARDS MAY APPLY		
AUTOCAD		2D

SIM. TO: 98750			
CUSTOMER PRINT			
Honeywell			
TITLE LCD HOURMETER MODULE W/ENABLE & RESET (9-64 V)			
SIZE	TYPE	DRAWING NAME	REV
B	I	98755	B
SCALE	2:1	SHEET	1 OF 1