

HONEYWELL
PART NUMBER

98343

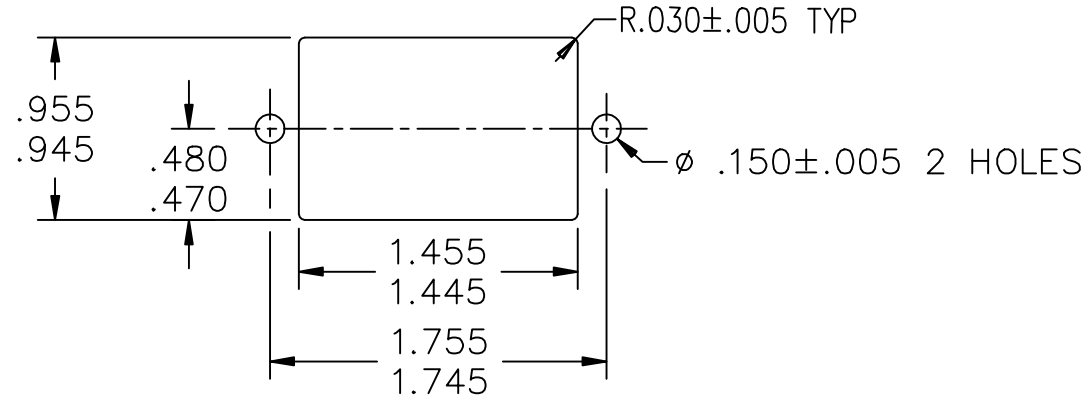
REV	DOCUMENT	CHANGED BY	CHECK
B	0067206	SSK 14JUL10	CMH

CUSTOMER: _____

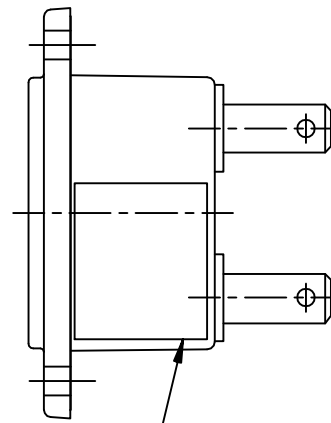
APPROVED BY: _____

DATE: _____

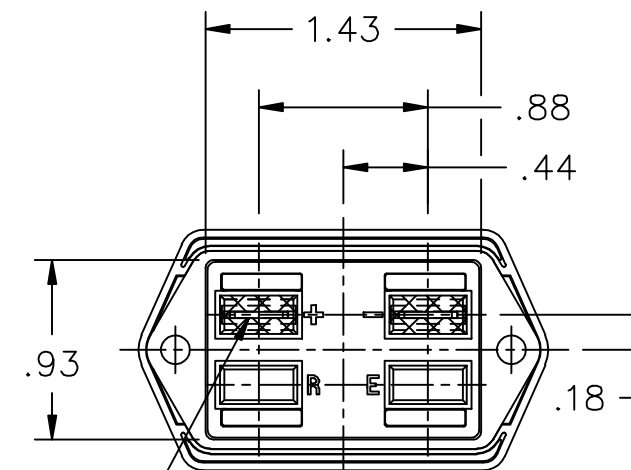
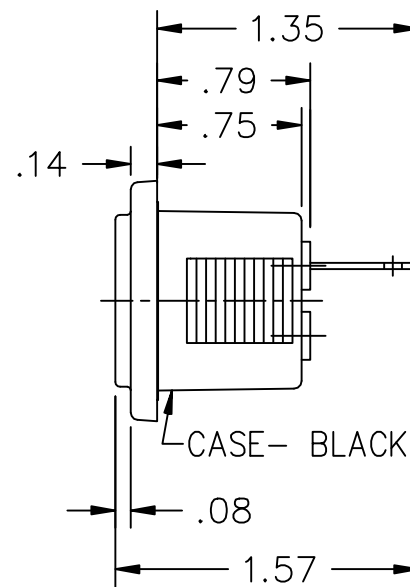
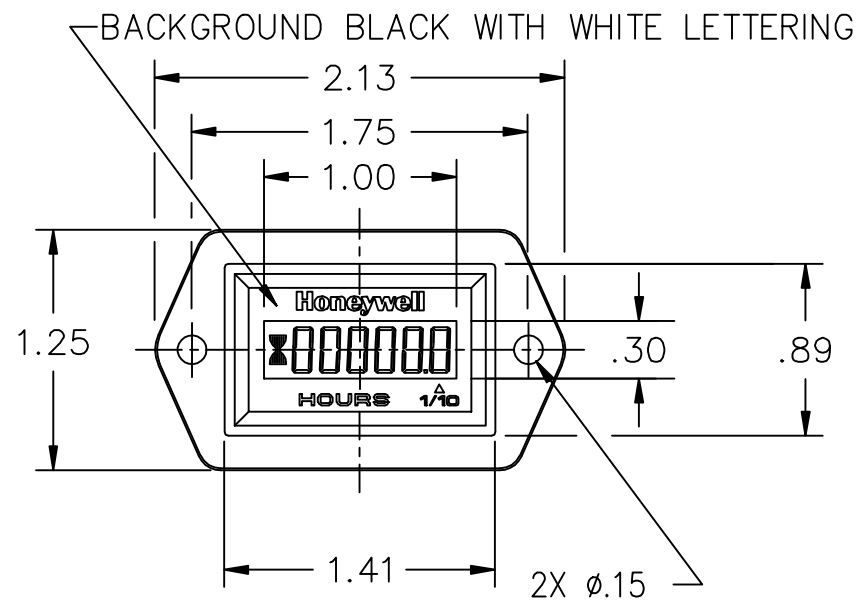
CUSTOMER
PART NO.: _____



MOUNTING HOLES



PART NO., VOLTAGE & DATE CODE TO BE PRINTED ON LABEL.



TERMINALS TO ACCEPT GM TERMINAL 2962447
AND GM CONNECTOR 2962448 OR EQUIVALENT.

NOTES:

- METER MUST BE MOISTURE RESISTANT WHEN SUBMERGED IN WATER AT +150° F. FOR 3 MINUTES.
- SEE 994300 FOR PACKING OPTIONS.
- DATE CODE IS A 5 DIGIT NO., 1ST & 2ND DIGITS REPRESENT THE YEAR, THE NEXT 3 DIGITS REPRESENT THE DAY. EXAMPLE: 02285 IS 285TH DAY OF 2002
- OPERATING RANGE: 4.5 VDC (MIN) THRU 16 VDC (MAX).
- DIMENSIONS ARE FOR REFERENCE ONLY UNLESS OTHERWISE SPECIFIED.

CUSTOMER PRINT

DESIGN UNITS: INCH		
TOLERANCES UNLESS NOTED:		
NO PLACES	X	±
ONE PLACE	.X	±
TWO PLACE	.XX	±
THREE PLACE	.XXX	±
FOUR PLACE	.XXXX	±
ANGLES	X	±
THIRD ANGLE PROJECTION		

DRAWN	D MCGEE	19APR02
CHECK	-	-
THIS DRAWING COVERS A PROPRIETARY ITEM AND IS THE PROPERTY OF HONEYWELL. THIS DRAWING IS NOT TO BE COPIED OR USED WITHOUT THE PERMISSION OF HONEYWELL.		
INTERPRET PER ASME Y14.5M-1994 OTHER HONEYWELL ENGINEERING STANDARDS MAY APPLY		
AUTOCAD		2D

Honeywell				
TITLE LCD HOURMETER (2 TERMINAL) 5-12 VDC SYSTEM 100,000 HRS (2 SCREW FLANGE)				
SIZE	TYPE	CAGE CODE	DRAWING NAME	REV
B	I	-	98343	B
SCALE	1:1	SHEET		1 OF 1