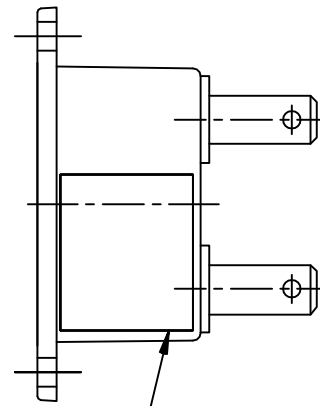
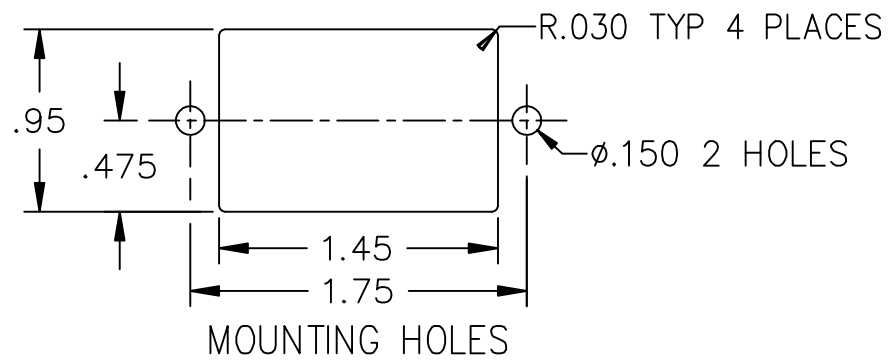
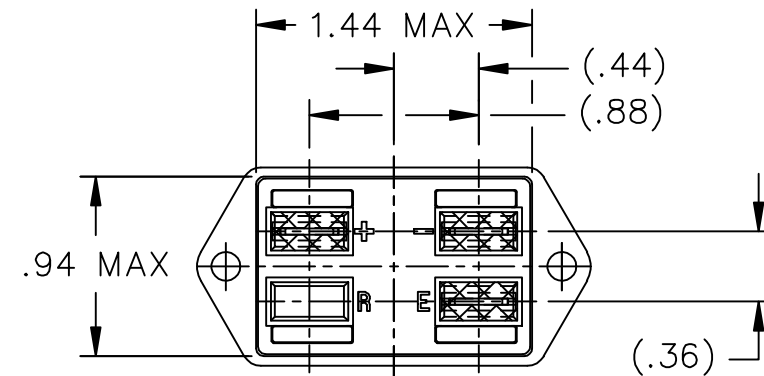
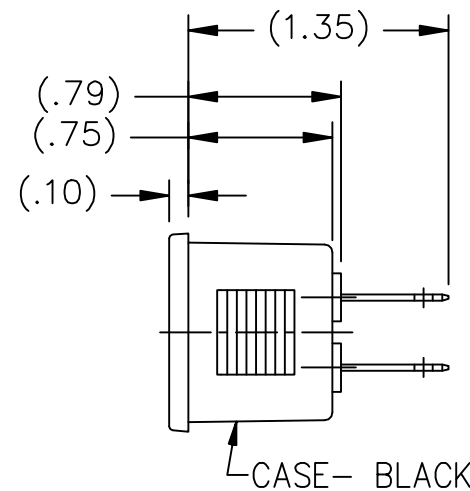
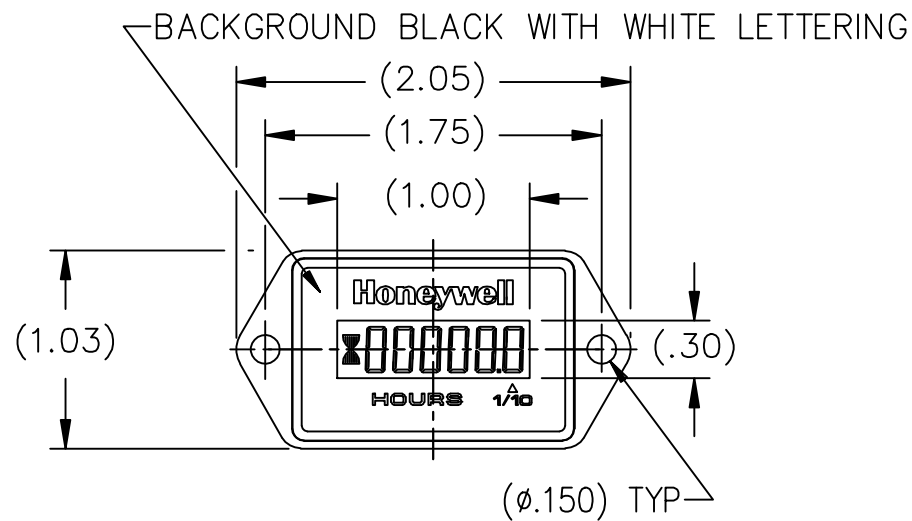


HONEYWELL
PART NUMBER
98320

REV	DOCUMENT	CHANGED BY	CHECK
C	0067206	SSK 14JUL10	CMH



PART NO., VOLTAGE & DATE CODE TO BE PRINTED ON LABEL.



NOTES:

- METER MUST BE MOISTURE RESISTANT WHEN SUBMERGED IN WATER AT +150° F. FOR 3 MINUTES.
- SEE (994300) FOR PACKING OPTIONS.
- DATE CODE IS A 5 DIGIT NO., 1ST & 2ND DIGITS REPRESENT THE YEAR, THE NEXT 3 DIGITS REPRESENT THE DAY. EXAMPLE: 92285 IS 285TH DAY OF 1992
- OPERATING RANGE: 9 VDC (MIN) THRU 64 VDC (MAX).

CUSTOMER PRINT

DESIGN UNITS: INCH			
TOLERANCES UNLESS NOTED:			
NO PLACE	X	±	-
ONE PLACE	.X	±	.020
TWO PLACE	.XX	±	.010
THREE PLACE	.XXX	±	.005
FOUR PLACE	.XXXX	±	.0005
ANGLES	X	±	0' 30'
THIRD ANGLE PROJECTION			

DRAWN	DDC	15DEC98
CHECK	-	-
THIS DRAWING COVERS A PROPRIETARY ITEM AND IS THE PROPERTY OF HONEYWELL. THIS DRAWING IS NOT TO BE COPIED OR USED WITHOUT THE PERMISSION OF HONEYWELL.		
INTERPRET PER ASME Y14.5M-1994 OTHER HONEYWELL ENGINEERING STANDARDS MAY APPLY		
AUTOCAD 2D		

Honeywell				
TITLE LCD HOURMETER (WITH ENABLE) 12-48 VDC SYSTEM 100,000 HRS (2 SCREW FLANGE)				
SIZE	TYPE	CAGE CODE	DRAWING NAME	REV
B	I	-	98320	C
SCALE	1:1	SHEET	1	OF 1