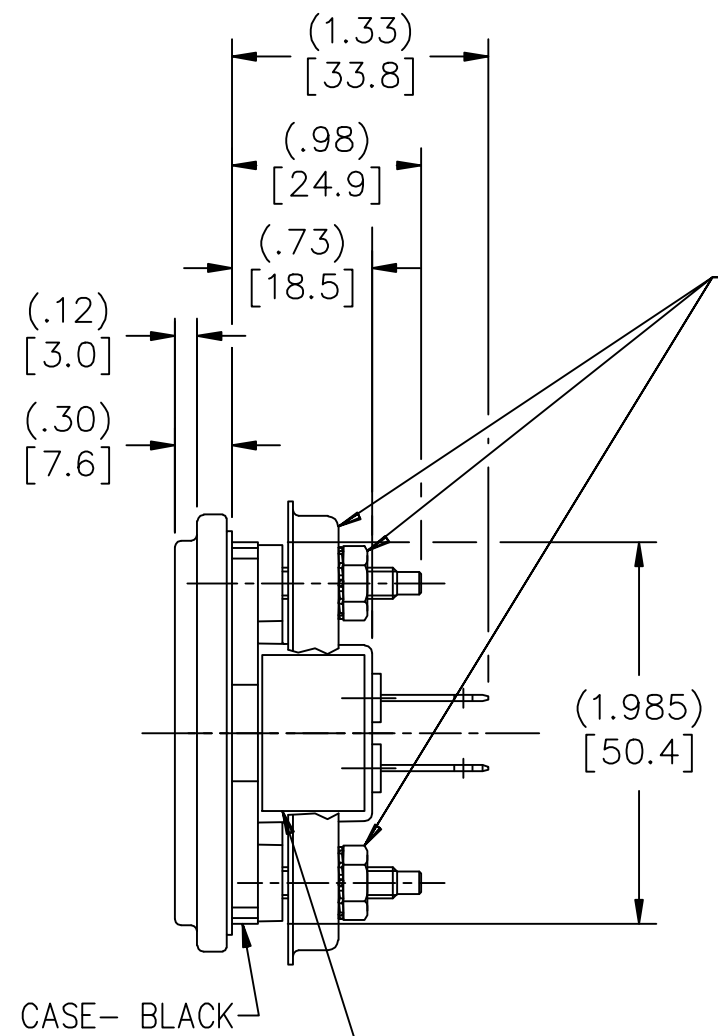
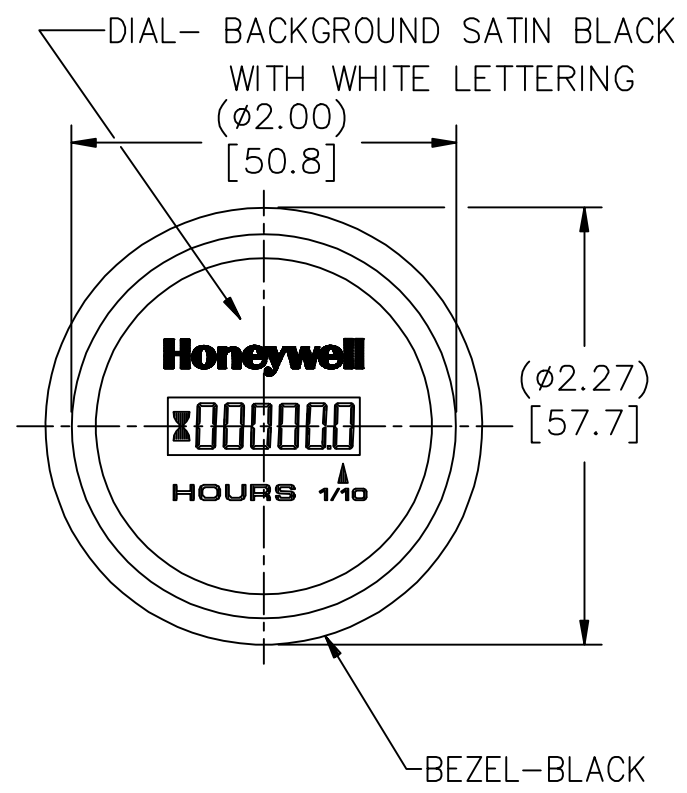
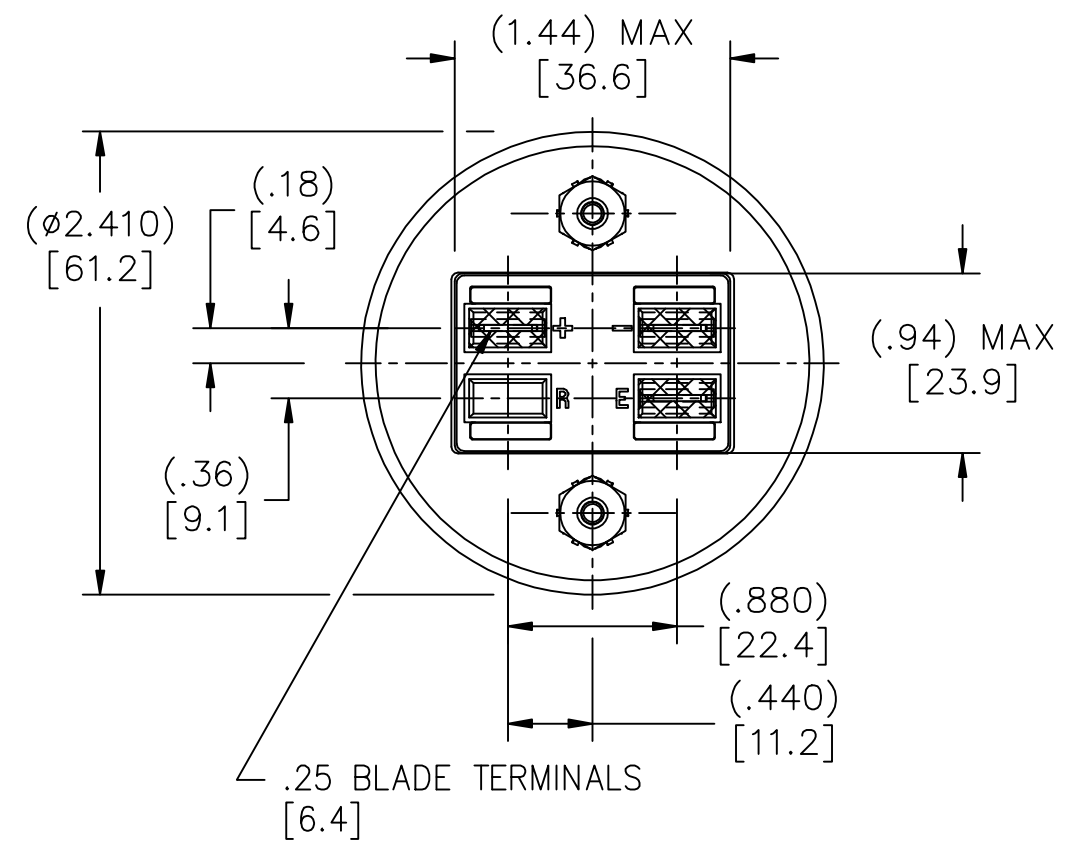


HONEYWELL PART NUMBER
98322

REV	DOCUMENT	CHANGED BY	CHECK
D	0067198	SSK 13JUL10	CMH



CUP RETAINER & HEX NUT & LOCKWASHER
PACKAGED SEPARATELY SEE 994300



PART NO., VOLTAGE & DATE CODE TO BE PRINTED ON LABEL.

- NOTES:
- METER MUST BE MOISTURE RESISTANT WHEN SUBMERGED IN WATER AT +150° F. FOR 3 MINUTES.
 - SEE 994300 FOR PACKING OPTIONS.
 - METER REQUIRES A $\phi 2.00$ MOUNTING HOLE.
 - TORQUE NUTS TO 5 IN. LB. (5.8 Kg cm) MAX. TO SECURE HOURMETER INTO PANEL.
 - DATE CODE IS A 5 DIGIT NO., 1ST & 2ND DIGITS REPRESENT THE YEAR, THE NEXT 3 DIGITS REPRESENT THE DAY. EXAMPLE: 92285 IS 285TH DAY OF 1992
 - OPERATING RANGE: 9 VDC (MIN) THRU 64 VDC (MAX).
 - RETAINER & NUTS TO BE SHIPPED LOOSE & INSTALLED BY CUSTOMER.

SIM. TO: 85003

CUSTOMER PRINT

DESIGN UNITS: INCH [MM] TOLERANCES UNLESS NOTED:	DRAWN	DDC	15DEC98	Honeywell				
	CHECK	-	-					
NO PLACE X ± .040 ONE PLACE .X ± .030 TWO PLACE .XX ± .015 THREE PLACE .XXX ± .005 FOUR PLACE .XXXX ± .0005 ANGLES X ± 2'	THIS DRAWING COVERS A PROPRIETARY ITEM AND IS THE PROPERTY OF HONEYWELL. THIS DRAWING IS NOT TO BE COPIED OR USED WITHOUT THE PERMISSION OF HONEYWELL.			TITLE LCD HOURMETER (WITH ENABLE) 12-48 VDC SYSTEM 100,000 HRS (2.27 DIA CUP MOUNT)				
THIRD ANGLE PROJECTION	INTERPRET PER ASME Y14.5M-1994 OTHER HONEYWELL ENGINEERING STANDARDS MAY APPLY			SIZE	TYPE	CAGE CODE	DRAWING NAME	REV
	AUTOCAD 2D			B	I	-	98322	D
				SCALE	1:1		SHEET	1 OF 1