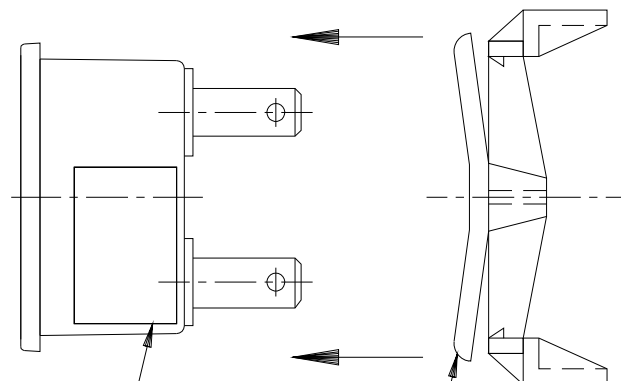
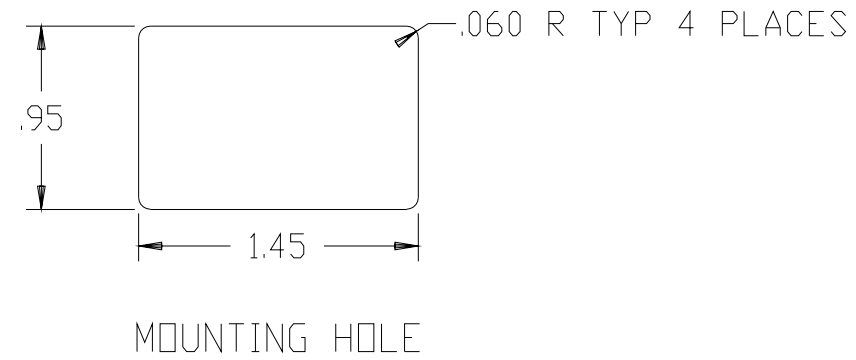
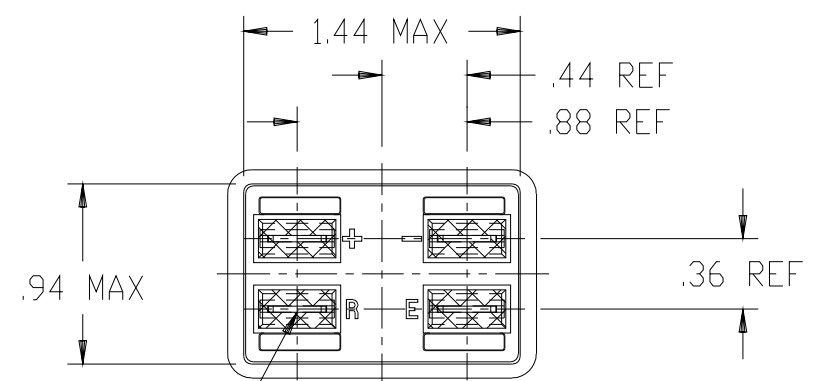
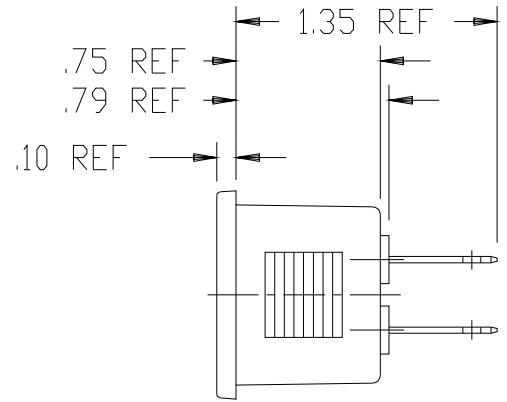
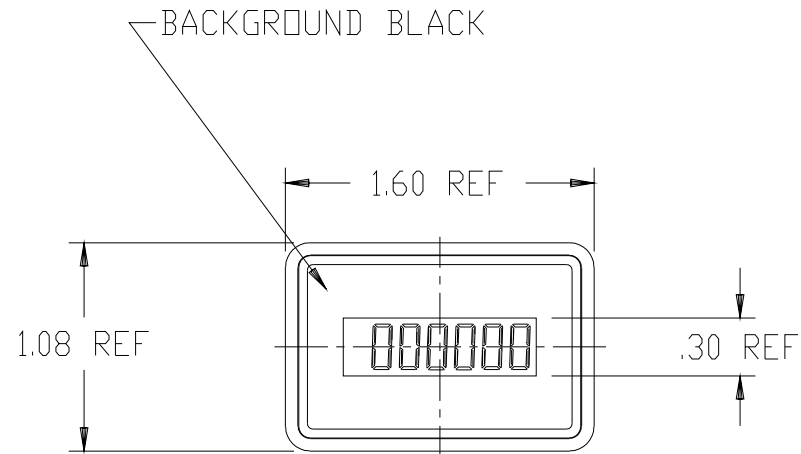


PART NUMBER		98405		M	A
SHEET 2 OF 2					
DESCRIPTION OF CHANGE					
APPD.	REV.	DATE	PCN NO.	BY	
	A	13Jan00	32130	DDC	
RELEASED FOR PRODUCTION					



RETAINER PACKAGED SEPARATELY (SEE 994300)

PART NO., VOLTAGE & DATE CODE TO BE PRINTED ON LABEL.



TERMINALS TO ACCEPT GM TERMINAL 2962447 AND GM CONNECTOR 2962448 OR EQUIVALENT.

- NOTES:
- METER MUST BE MOISTURE RESISTANT WHEN SUBMERGED IN WATER AT +150 DEGREES F. FOR 3 MINUTES.
 - SEE (994300) FOR PACKING OPTIONS.
 - DATE CODE IS A 5 DIGIT NO., 1ST & 2ND DIGITS REPRESENT THE YEAR, THE NEXT 3 DIGITS REPRESENT THE DAY. EXAMPLE: 92285 IS 285TH DAY OF 1992
 - OPERATING RANGE: 9 VDC (MIN) THRU 64 VDC (MAX).
 - RETAINER TO BE SHIPPED LOOSE & INSTALLED BY CUST.

J.W. HOBBS CORP. SPRINGFIELD, IL U.S.A.				SIM. TO:		CUSTOMER DRAWING	
DRAWN DDC	PART NUMBER 98405 SHEET 2 OF 2 M	CHECKED	TOLERANCES UNLESS OTHERWISE SPECIFIED		NAME LCD COUNTER (WITH RESET & DEBOUNCE) 12-48 VDC SYSTEM (RETAINER MOUNT)		
DATE 10Dec99		SCALE 1:1	X.X ± .020 X.XX ± .010 X.XXX ± .005	X.XXXX ± .0005 < ± 0° 30'	NEXT ASSY.		
DO NOT SCALE		DKT. NO. JOB #4691	MATERIAL	FINISH	PART NUMBER 98405		
				SHEET 2 OF 2 M			