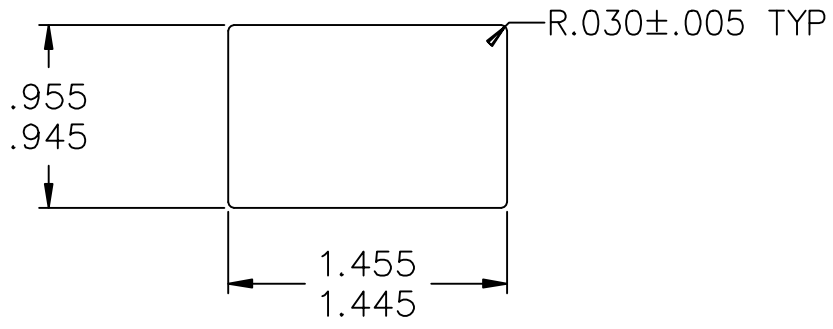


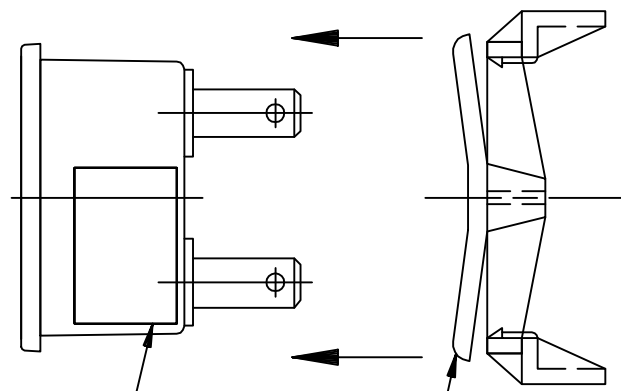
HONEYWELL PART NUMBER
98345

REV	DOCUMENT	CHANGED BY	CHECK
B	0067206	SSK 14JUL10	CMH

CUSTOMER: \_\_\_\_\_  
 APPROVED BY: \_\_\_\_\_  
 DATE: \_\_\_\_\_  
 CUSTOMER PART NO.: \_\_\_\_\_



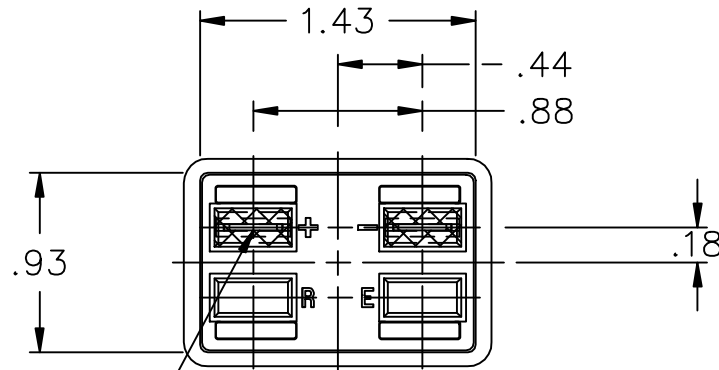
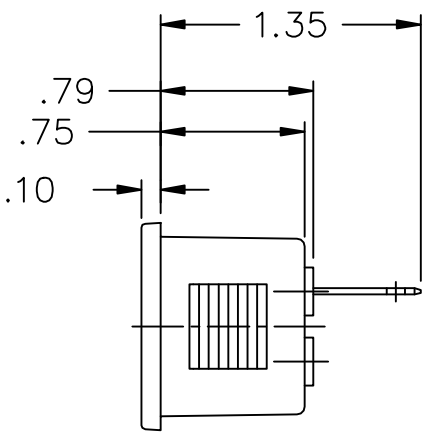
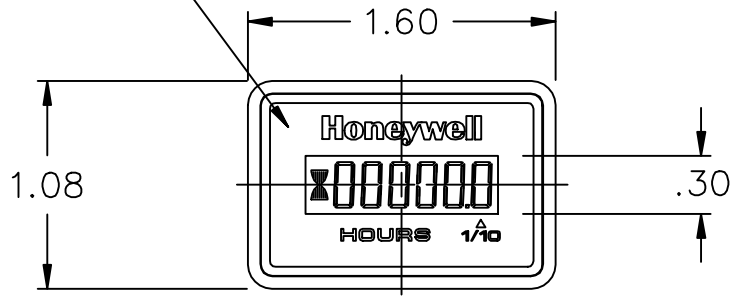
MOUNTING HOLES



RETAINER PACKAGED SEPARATELY (SEE 994300)

PART NO., VOLTAGE & DATE CODE TO BE PRINTED ON LABEL.

BACKGROUND BLACK WITH WHITE LETTERING



TERMINALS TO ACCEPT GM TERMINAL 2962447 AND GM CONNECTOR 2962448 OR EQUIVALENT.

- NOTES:
- METER MUST BE MOISTURE RESISTANT WHEN SUBMERGED IN WATER AT +150° F. FOR 3 MINUTES.
  - SEE 994300 FOR PACKING OPTIONS.
  - DATE CODE IS A 5 DIGIT NO., 1ST & 2ND DIGITS REPRESENT THE YEAR, THE NEXT 3 DIGITS REPRESENT THE DAY. EXAMPLE: 92285 IS 285TH DAY OF 1992
  - OPERATING RANGE: 4.5 VDC (MIN) THRU 16 VDC (MAX).
  - RETAINER TO BE SHIPPED LOOSE & INSTALLED BY CUST.
  - DIMENSIONS ARE FOR REFERENCE ONLY UNLESS OTHERWISE SPECIFIED.

CUSTOMER PRINT

DESIGN UNITS: INCH TOLERANCES UNLESS NOTED:	DRAWN DDC 11FEB04	<b>Honeywell</b>				
NO PLACE X ± - ONE PLACE X ± .020 TWO PLACE .XX ± .010 THREE PLACE .XXX ± .005 FOUR PLACE .XXXX ± .0005 ANGLES X ± 0° 30'	CHECK - -					THIS DRAWING COVERS A PROPRIETARY ITEM AND IS THE PROPERTY OF HONEYWELL. THIS DRAWING IS NOT TO BE COPIED OR USED WITHOUT THE PERMISSION OF HONEYWELL.
THIRD ANGLE PROJECTION 	INTERPRET PER ASME Y14.5M-1994 OTHER HONEYWELL ENGINEERING STANDARDS MAY APPLY	TITLE LCD HOURMETER (2 TERMINAL) 5-12 VDC SYSTEM 100,000 HRS (RETAINER MOUNT)				
	AUTOCAD 2D	SIZE B	TYPE I	CAGE CODE -	DRAWING NAME 98345	REV B
		SCALE 1:1	SHEET 1 OF 1			