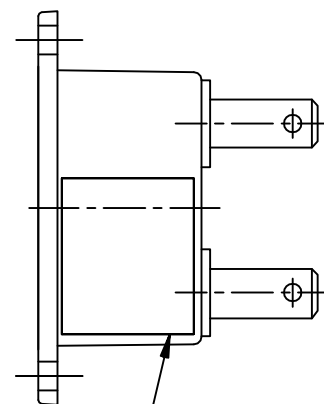
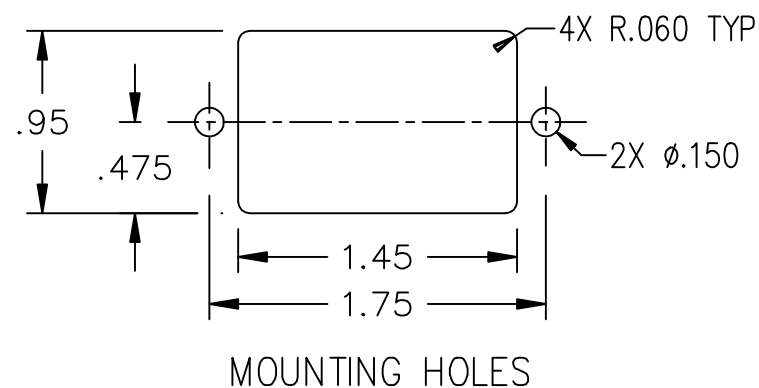
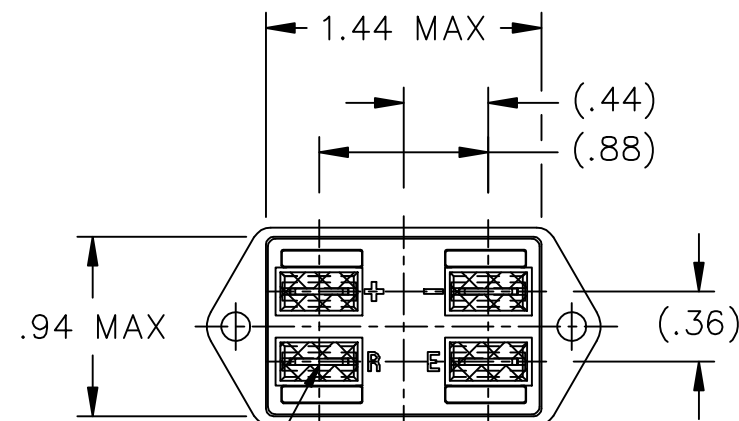
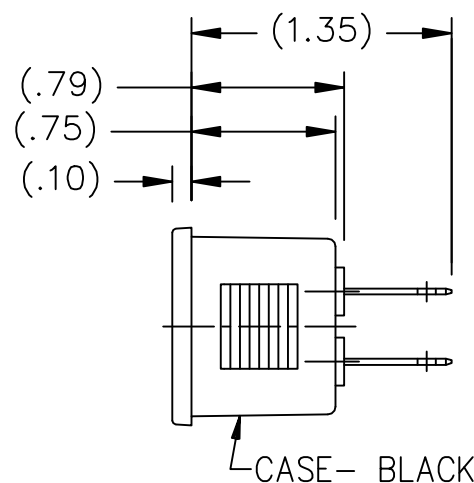
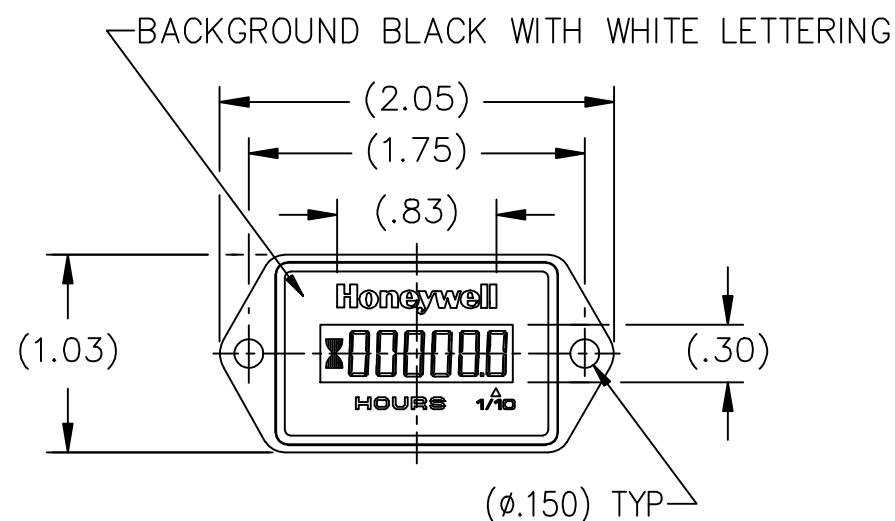


HONEYWELL PART NUMBER
98300

REV	DOCUMENT	CHANGED BY	CHECK
B	0067738	PRS 29JUL10	CMH



PART NO., VOLTAGE & DATE CODE TO BE PRINTED ON LABEL.



TERMINALS TO ACCEPT GM TERMINAL 2962447 AND GM CONNECTOR 2962448 OR EQUIVALENT.

NOTES:

- METER MUST BE MOISTURE RESISTANT WHEN SUBMERGED IN WATER AT +150° F. FOR 3 MINUTES.
- SEE (994300) FOR PACKING OPTIONS.
- DATE CODE IS A 5 DIGIT NO., 1ST & 2ND DIGITS REPRESENT THE YEAR, THE NEXT 3 DIGITS REPRESENT THE DAY. EXAMPLE: 92285 IS 285TH DAY OF 1992
- OPERATING RANGE: 9 VDC (MIN) THRU 64 VDC (MAX).

CUSTOMER PRINT

DESIGN UNITS: INCH	DRAWN	DDC	05DEC97	<b>Honeywell</b>			
TOLERANCES UNLESS NOTED:	CHECK	-	-				
NO PLACE X ± -	THIS DRAWING COVERS A PROPRIETARY ITEM AND IS THE PROPERTY OF HONEYWELL. THIS DRAWING IS NOT TO BE COPIED OR USED WITHOUT THE PERMISSION OF HONEYWELL.			TITLE			
ONE PLACE .X ± .020				LCD HOURMETER (WITH ENABLE & RESET)			
TWO PLACE .XX ± .010				12-48 VDC SYSTEM 100,000 HRS (2 SCREW FLANGE)			
THREE PLACE .XXX ± .005				SIZE	TYPE	CAGE CODE	DRAWING NAME
FOUR PLACE .XXXX ± .0005	B	I	-	98300	B		
ANGLES X ± 0° 30'	INTERPRET PER ASME Y14.5M-1994 OTHER HONEYWELL ENGINEERING STANDARDS MAY APPLY			SCALE	1:1	SHEET	1 OF 1
THIRD ANGLE PROJECTION 	AUTOCAD		2D				