

AC Micro Style Cordsets and Receptacles



Description

Rockwell Automation/Allen-Bradley offers a wide variety of connection products for interfacing field devices to I/O, junction boxes, PLCs, etc. Connection systems products are made of durable materials and are designed to handle rough industrial environments. All Allen-Bradley AC micro cabling products are UL recognized and CSA certified.

Featuring industry standard 3-, 4-, 5- or 6-pin, dual key overmolded connectors, Allen-Bradley AC micro cordsets provide secure connection for proximity sensors, limit switches, photoelectric sensors and other field devices. Cables can be 22AWG or 18 AWG, shielded or unshielded with straight or right-angled connectors. Special coiled cables are also available for applications involving moving equipment. For bulkhead or panel installation, Allen-Bradley offers die-cast, dual keyway 3-, 4-, 5- or 6-pin AC micro male or female receptacles.

Allen-Bradley passive distribution boxes allow multiple devices to be connected to a control system through a single pigtail. Each distribution box features internal-thread female receptacles (4, 6 or 8, depending on model) for quick and easy connection with quick-disconnect mating plugs.

Available in male and female versions, terminal chambers are passive field-installable connectors for use with raw cable. Allen-Bradley 3-pin AC micro style terminal chambers contain screw terminals for quick and easy assembly of custom QD cables on the plant floor. Terminal chambers can be straight or right-angled and are also available for various cable diameters.

Rockwell Automation/Allen-Bradley is continually expanding its connection system offerings. If our standard catalog does not contain the item that you need, or you have a special application, please contact your distributor or the factory for assistance.

Styles

Cordsets	page 66
Male Cordsets	page 69
Patchcord	page 70
Splitters	page 73
Receptacle	page 74
Distribution Boxes	page 76
Terminal Chambers	page 79

AC Micro (Dual Keyway) Style QD Cordsets



3-Pin AC Micro Cordset

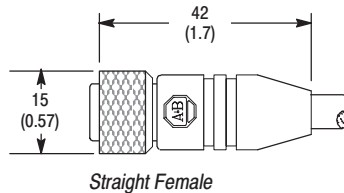
Specifications

Coupling Nut	Epoxy-coated zinc	
Connector	Molded oil-resistant PVC	
Contacts	Gold-plated palladium/nickel	
Cable	Oil-resistant PVC jacket, 22AWG or 18AWG conductors, 300V, UL recognized and CSA certified	
Cable O.D.	3/c (22AWG) = 6mm (0.24in) 3/c (18AWG) = 7.4mm (0.29in) 4/c (18AWG) = 7.4mm (0.29in)	5/c (18AWG) = 7.4mm (0.29in) 6/c (22AWG) = 7.4mm (0.29in)
Braiding	Shield aluminum mylar stranding 26 x #36 (AWG) for 3-pin and 6-pin 22AWG cable only	
Temperature	-20°C to +105°C (-4°F to +221°F)	

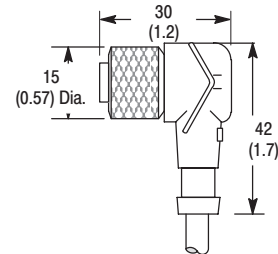
Features

- UL recognized and CSA certified
- Highly visible yellow PVC jacket offers good oil and chemical resistance
- Heavy-duty re-inforcing braiding (3 and 6 conductor only) can be used as a grounded shield to reduce noise
- Ratcheting coupling nut for vibration resistance

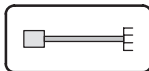
Dimensions—mm (in)



Dimensions are approximate. Illustrations are not drawn to scale.



Selection Guide



Female Connector (Sensor End)	Cable			Catalog Number			
	Face View of Female	Wire Color	Wire Rating	Length—m (ft)	Straight	Right Angle	
	1 Green (GND) 2 Red/Black Tr. 3 Red/White Tr.	Braided 22AWG 300V 3A	2 (6.5)	889R-F3ACA-2	889R-R3ACA-2 New		
			5 (16.4)	889R-F3ACA-5	889R-R3ACA-5 New		
			10 (32.8)	889R-F3ACA-10	889R-R3ACA-10 New		
				18AWG 300V 3A	2 (6.5)	889R-F3AEA-2	889R-R3AEA-2
					5 (16.4)	889R-F3AEA-5	889R-R3AEA-5
					10 (32.8)	889R-F3AEA-10	889R-R3AEA-10
	1 Red/Black Tr. 2 Red/White Tr. 3 Red 4 Green (GND)		2 (6.5)	889R-F4AEA-2	889R-R4AEA-2		
			5 (16.4)	889R-F4AEA-5	889R-R4AEA-5		
			10 (32.8)	889R-F4AEA-10	889R-R4AEA-10		
	1 Red/White Tr. 2 Red 3 Green 4 Red/Yellow Tr. 5 Red/Black Tr.		2 (6.5)	889R-F5AEA-2	889R-R5AEA-2		
			5 (16.4)	889R-F5AEA-5	889R-R5AEA-5		
			10 (32.8)	889R-F5AEA-10	889R-R5AEA-10		
	1 Red/White Tr. 2 Red 3 Green 4 Red/Yellow Tr. 5 Red/Black Tr. 6 Red/Blue Tr.	Braided 22AWG 300V 3A	2 (6.5)	889R-F6ACA-2	889R-R6ACA-2 New		
			5 (16.4)	889R-F6ACA-5	889R-R6ACA-5 New		
			10 (32.8)	889R-F6ACA-10	889R-R6ACA-10 New		

Cordset, AC Micro Style

Female, ToughWeld™ Neoprene Rubber Jacket

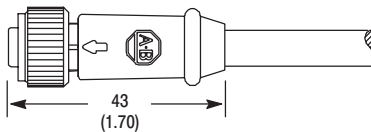


3-Pin AC Micro Cordset

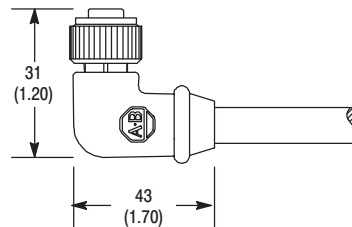
Specifications

Coupling Nut	Epoxy-coated zinc
Connector	Molded oil-resistant PVC
Contacts	Gold over nickel-plated brass
Cable	SJOOW ToughWeld neoprene rubber jacket, 18AWG conductors, 300V UL recognized and CSA certified
Cable O.D.	9mm (0.35in)
Temperature	-20°C to +90°C (-4°F to +194°F)

Dimensions—mm (in)



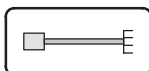
Straight Female



Right Angle Female

Features

- Durable SJOOW 18AWG cable
- Highly visible yellow ToughWeld neoprene rubber jacket offers excellent weld slag resistance
- Ratcheting coupling nuts for vibration resistance



Selection Guide

Dimensions are approximate. Illustrations are not drawn to scale.

Female Connector (Sensor End)		Cable			Catalog Number
Face View of Female	Connector Style	Wire Color	Wire Rating	Length—m (ft)	
	Straight	1 Green 2 Red/Black Tr 3 Red/White Tr	18AWG 300V 3A	2 (6.5)	889R-F3WEA-2 New
				5 (16.4)	889R-F3WEA-5 New
				10 (32.8)	889R-F3WEA-10 New
	Right Angle			2 (6.5)	889R-R3WEA-2 New
				5 (16.4)	889R-R3WEA-5 New
				10 (32.8)	889R-R3WEA-10 New

AC Micro (Dual Keyway) Style QD Cordsets



3-Pin AC Micro Cordset

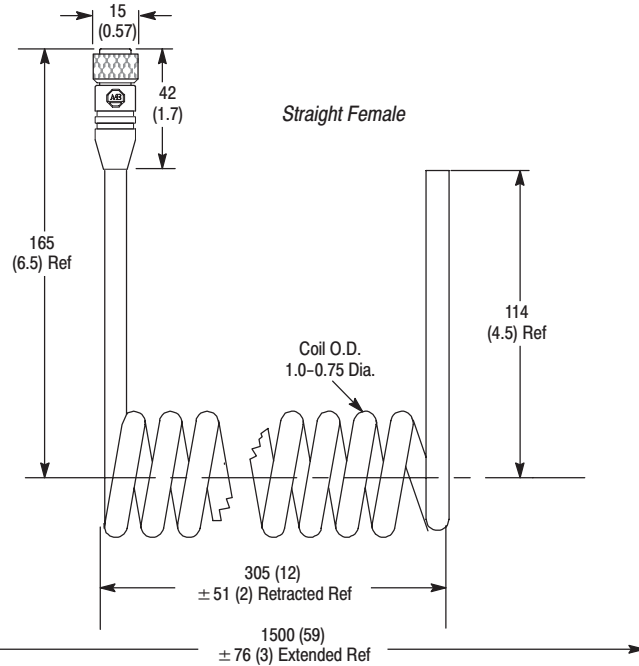
Specifications

Coupling Nut	Epoxy-Coated Zinc
Connector	Molded oil-resistant PVC
Contacts	Gold-plated palladium/nickel
Cable	Oil-resistant yellow PVC jacket, 20AWG stranded copper, 300V, UL recognized and CSA certified
Cable O.D.	7.1mm (0.28in)
Temperature	-20°C to +105°C (-4°F to +221°F)

Features

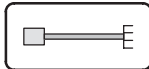
- UL recognized and CSA certified
- Coil provides retractable cable for moving applications
- Highly visible yellow PVC jacket offers good oil and chemical resistance
- One-piece molded body design

Dimensions—mm (in)



Dimensions are approximate. Illustrations are not drawn to scale.

Selection Guide



Female Connector (Sensor End)		Cable			Catalog Number
Face View of Female	Connector Style	Wire Color	Wire Rating	Length—m (ft)	
	Straight	1 Black 2 Blue 3 Brown 4 White	20AWG 300V 5A	1.5 (5)	889R-F4AD-C5F
		1 Red/Black Tr 2 Red/White Tr 3 Red 4 Green (GND)			889R-F4ADA-C5F



4-Pin AC Micro Male Cordset

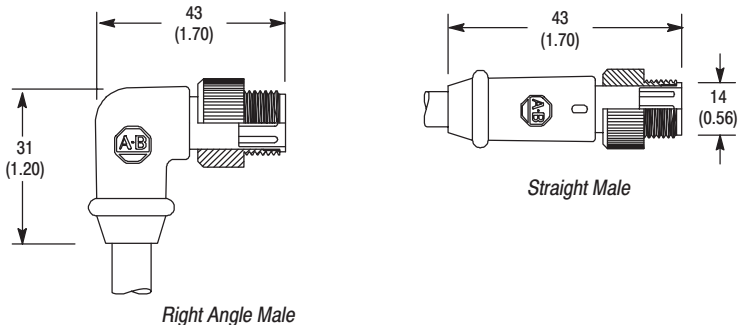
Specifications

Coupling Nut	Epoxy-Coated Zinc
Connector	Molded oil-resistant
Contacts	Gold-plated palladium/nickel
Cable	Oil-resistant yellow PVC jacket, 18AWG conductors, 300V, UL recognized and CSA certified
Cable O.D.	7.4mm (0.29in)
Temperature	-20°C to +105°C (-4°F to +221°F)

Features

- UL recognized and CSA certified
- Highly visible yellow PVC jacket offers good oil and chemical resistance
- Ratcheting coupling nut for vibration resistance

Dimensions—mm (in)



Dimensions are approximate. Illustrations are not drawn to scale.

Selection Guide



Female Connector (Sensor End)		Cable			Male Connector		Catalog Number	
# of Poles	Connector Style	Wire Color	Wire Rating	Length m (ft)	Face View of Male	Connector Style		
Cable 3-conductor	None	1 Green 2 Red/Black Tr 3 Red/White Tr	18AWG 300V 3A	2 (6.5)		Straight	889R-M3AEA-2 <i>New</i>	
				5 (16.4)			889R-M3AEA-5 <i>New</i>	
				10 (32.8)			889R-M3AEA-10 <i>New</i>	
				2 (6.5)			Right Angle	889R-E3AEA-2 <i>New</i>
				5 (16.4)				889R-E3AEA-5 <i>New</i>
				10 (32.8)				889R-E3AEA-10 <i>New</i>
Cable 4-conductor	None	1 Red/Black Tr 2 Red/White Tr 3 Red 4 Green	18AWG 300V 3A	2 (6.5)		Straight	889R-M4AEA-2 <i>New</i>	
				5 (16.4)			889R-M4AEA-5 <i>New</i>	
				10 (32.8)			889R-M4AEA-10 <i>New</i>	
				2 (6.5)			Right Angle	889R-E4AEA-2 <i>New</i>
				5 (16.4)				889R-E4AEA-5 <i>New</i>
				10 (32.8)				889R-E4AEA-10 <i>New</i>

AC Micro Style QD Patchcords

AC Micro Male to AC Micro Female



AC Micro to AC Micro Patchcord

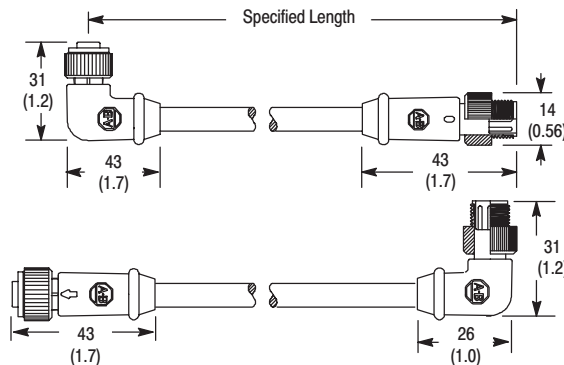
Features

- UL recognized and CSA certified
- Highly visible yellow PVC jacket offers good oil and chemical resistance
- Ratcheting coupling nut for vibration resistance

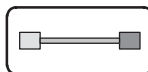
Specifications

Coupling Nut	Epoxy-Coated Zinc
Connector	Molded oil-resistant PVC
Contacts	Gold-plated palladium/nickel
Cable	Oil-resistant yellow PVC jacket, 18AWG conductors, 300V, UL recognized and CSA certified
Cable O.D.	7.4mm (0.29in)
Temperature	-20°C to +105°C (-4°F to +221°F)

Dimensions—mm (in)



Dimensions are approximate. Illustrations are not drawn to scale.



Selection Guide—AC Micro to AC Micro Patchcords

Female Connector (Sensor End)		Cable		Male Connector (Male Coupling Nut)		Catalog Number				
Face View of Female	Connector Style	Wire Rating	Length m (ft)	Face View of Male	Connector Style					
	Straight	18AWG 300V 3A	1 (3.3)		Straight	889R-F3AERM-1 <i>New</i>				
			2 (6.5)			889R-F3AERM-2 <i>New</i>				
			3 (9.8)			889R-F3AERM-3 <i>New</i>				
			5 (16.5)			889R-F3AERM-5 <i>New</i>				
			1 (3.3)			889R-F3AERE-1 <i>New</i>				
			2 (6.5)		889R-F3AERE-2 <i>New</i>					
			3 (9.8)		889R-F3AERE-3 <i>New</i>					
			5 (16.5)		889R-F3AERE-5 <i>New</i>					
					Straight	18AWG 300V 3A	1 (3.3)		Straight	889R-F4AERM-1 <i>New</i>
							2 (6.5)			889R-F4AERM-2 <i>New</i>
3 (9.8)	889R-F4AERM-3 <i>New</i>									
5 (16.5)	889R-F4AERM-5 <i>New</i>									
1 (3.3)	889R-F5AERM-1 <i>New</i>									
2 (6.5)	889R-F5AERM-2 <i>New</i>									
3 (9.8)	889R-F5AERM-3 <i>New</i>									
5 (16.5)	889R-F5AERM-5 <i>New</i>									

Patchcord, AC Micro Style

AC Micro Male to AC Micro Female, ToughWeld™ Neoprene Rubber Jacket

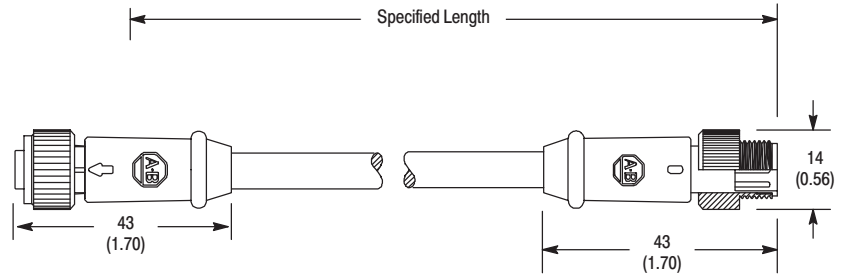


AC Micro Male to AC Micro Female Patchcord

Specifications

Coupling Nut	Epoxy-Coated Zinc
Connector	Molded oil-resistant PVC
Contacts	Gold-plated palladium/nickel
Cable	SJOOW ToughWeld neoprene rubber jacket, 18AWG conductors, 300V UL recognized and CSA certified
Cable O.D.	9mm (0.35in)
Temperature	-20°C to +90°C (-4°F to +194°F)

Dimensions—mm (in)

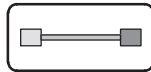


Dimensions are approximate. Illustrations are not drawn to scale.

Features

- Durable SJOOW 18AWG cable
- Highly visible yellow ToughWeld neoprene rubber jacket offers excellent weld slag resistance
- Ratcheting coupling nuts for vibration resistance

Selection Guide



Female Connector (Sensor End)		Cable		Male Connector (Male Coupling Nut)		Catalog Number
Face View of Female	Connector Style	Wire Rating	Length m (ft)	Face View of Male	Connector Style	
	Straight	18AWG 300V 3A	0.9 (3)		Straight	889R-F3WERM-3F <i>New</i>
			1.8 (6)			889R-F3WERM-6F <i>New</i>
			2.7 (9)			889R-F3WERM-9F <i>New</i>
			3.7 (12)			889R-F3WERM-12F <i>New</i>
			4.6 (15)			889R-F3WERM-15F <i>New</i>
			6.1 (20)			889R-F3WERM-20F <i>New</i>

Patchcord, AC Micro Style

AC Micro Male to AC Micro Female, ToughWeld™ Neoprene Rubber Jacket



AC Micro Patchcord

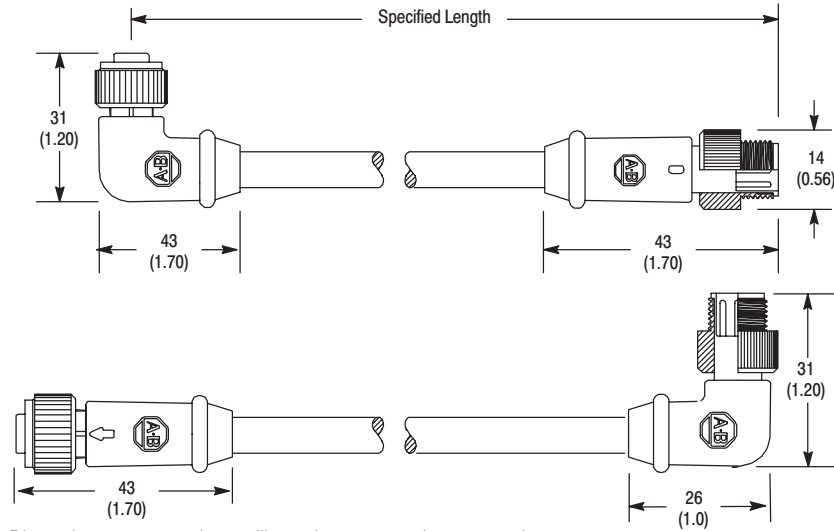
Features

- Durable SJOOW 18AWG cable
- Highly visible yellow ToughWeld neoprene rubber jacket offers excellent weld slag resistance
- Ratcheting coupling nuts for vibration resistance

Specifications

Coupling Nut	Epoxy-Coated Zinc
Connector	Molded oil-resistant PVC
Contacts	Gold-plated palladium/nickel
Cable	SJOOW ToughWeld neoprene rubber jacket, 18AWG conductors, 300V UL recognized and CSA certified
Cable O.D.	9mm (0.35in)
Temperature	-20°C to +90°C (-4°F to +194°F)

Dimensions—mm (in)



Dimensions are approximate. Illustrations are not drawn to scale.

Selection Guide



Female Connector (Sensor End)		Cable		Male Connector (Male Coupling Nut)		Catalog Number
Face View of Female	Connector Style	Wire Rating	Length m (ft)	Face View of Male	Connector Style	
	Straight	18AWG 300V 3A	0.9 (3)		Straight	889R-F5WERM-3F
			1.8 (6)			889R-F5WERM-6F
			2.7 (9)			889R-F5WERM-9F
			3.7 (12)			889R-F5WERM-12F
			4.6 (15)			889R-F5WERM-15F
			6.1 (20)			889R-F5WERM-20F
	Right Angle		0.9 (3)			889R-R5WERM-3F
			1.8 (6)			889R-R5WERM-6F
			2.7 (9)			889R-R5WERM-9F
			3.7 (12)			889R-R5WERM-12F
			4.6 (15)			889R-R5WERM-15F
			6.1 (20)			889R-R5WERM-20F
	Straight		0.9 (3)			889R-F5WERE-3F
			1.8 (6)			889R-F5WERE-6F
			2.7 (9)			889R-F5WERE-9F
			3.7 (12)			889R-F5WERE-12F
			4.6 (15)			889R-F5WERE-15F
			6.1 (20)			889R-F5WERE-20F

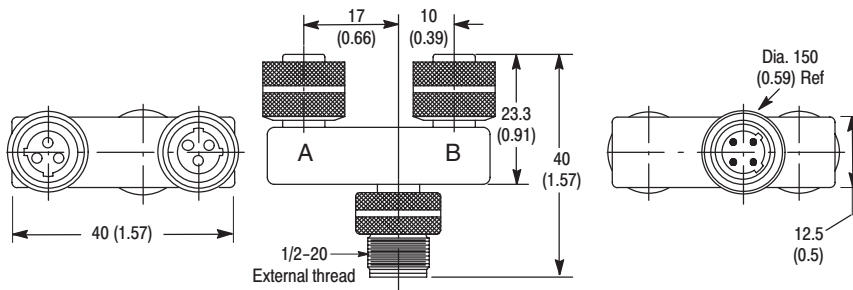


Splitter, AC Micro

Specifications

Body	Black PUR
Connector Insert	PUR
Receptacle Shell	Nickel-plated brass
Contacts	Brass, gold over nickel plating
O-Ring	Viton
Enclosure Rating	IP67, NEMA 6P
Temperature	-30° C to +105° C (-22° F to +221° F)

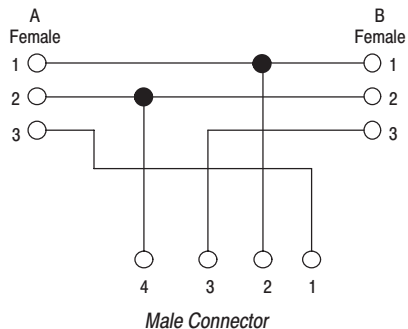
Dimensions—mm (in)



Features

- Splitter designed for use with Bulletin 198 MDSA AC modules
- PUR body offers good oil and chemical resistance
- Ratcheting coupling nut for vibration resistance

Wiring Diagrams



Selection Guide

Face View of Female (2)	Rating	Face View of Male (1)	Catalog Number
	300V 3A		898R-33PYX-R3

AC Micro Style Female Receptacles



AC Micro Female Receptacle

Features

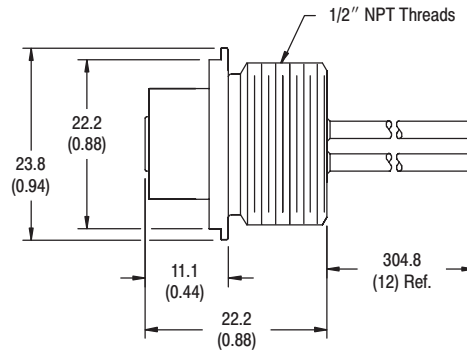
- 22AWG conductors
- Female bulkhead receptacles
- 3-, 4-, 5-pin configuration
- 1/2"–14NPT or 1/4"–18NPT threads
- UL recognized and CSA certified

Specifications

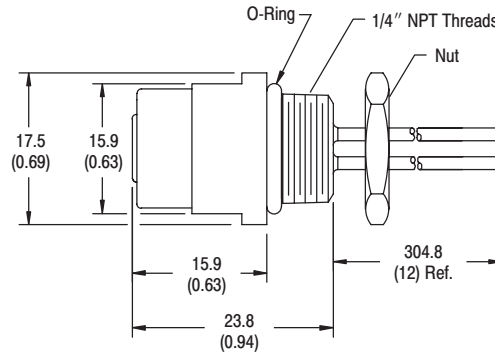
Receptacle Shell	Machined anodized aluminum with clear sealant
Connector Insert	Nylon
Contacts	Machined Brass
Wire Insulation	Oil-resistant PVC, 22AWG stranded copper, 300V, UL recognized and CSA certified
Temperature	-20°C to +105°C (-4°F to +221°F)

Dimensions—mm (in)

Drawing A



Drawing B



Selection Guide



Face View of Female	Wire Color	Wire Rating	Length—m (ft)	Panel Mount Threads	Drawing	Catalog Number
	1 Green (GND) 2 Red/Black Tr 3 Red/White Tr	22AWG 300V 3A	0.3 (1)	1/2" x 14NPT	A	888R-F3AC1-1F
			0.9 (3)	1/2" x 14NPT		888R-F3AC1-3F <i>New</i>
	1 Red/Black Tr 2 Red/White Tr 3 Red 4 Green (GND)		0.3 (1)	1/4" x 18NPT	B	888R-F3AC2-1F
			0.9 (3)	1/2" x 14NPT	A	888R-F4AC1-3F <i>New</i>
	1 Red/White Tr 2 Red 3 Green (GND) 4 Red/Yellow Tr 5 Red/Black Tr		0.3 (1)	1/4" x 18NPT	B	888R-F4AC2-1F
			0.9 (3)	1/2" x 14NPT	A	888R-F5AC1-1F
		0.3 (1)	1/2" x 14NPT	A	888R-F5AC1-3F <i>New</i>	
			0.3 (1)	1/4" x 18NPT	B	888R-F5AC2-1F

Mounting nuts for 1/2–14NPT threaded receptacles are available in bags of 10 pieces

889A-U1NUT-10

Flat, sealing washers for 1/2–14NPT threaded receptacles are available in bags of 10 pieces

889A-U1FSL-10



AC Micro Male Receptacle

Specifications

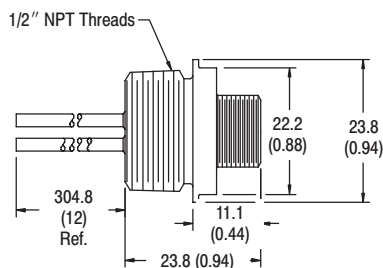
Receptacle Shell	Machined anodized aluminum with clear sealant
Connector Insert	Nylon
Contacts	Machined Brass
Wire Insulation	Oil-resistant PVC, 22AWG stranded copper, 300V, UL recognized and CSA certified
Temperature	-20°C to +105°C (-4°F to +221°F)

Features

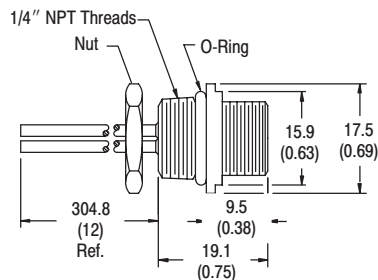
- 22AWG conductors
- Male bulkhead receptacles
- 3-, 4-, 5-pin configuration
- 1/2"–14NPT or 1/4"–18NPT threads
- UL recognized and CSA certified

Dimensions—mm (in)

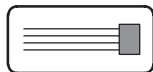
Drawing A



Drawing B



Selection Guide



Face View of Male	Wire Color	Wire Rating	Length—m (ft)	Panel Mount Threads	Drawing	Catalog Number	
	1 Green (GND) 2 Red/Black Tr 3 Red/White Tr	22AWG 300V 3A	0.3 (1)	1/2" x 14NPT	A	888R-M3AC1-1F	
			0.9 (3)			888R-M3AC1-3F <i>New</i>	
	1 Red/Black Tr 2 Red/White Tr 3 Red 4 Green (GND)		0.3 (1)	1/4" x 18NPT	B	888R-M3AC2-1F	
			0.9 (3)	1/2" x 14NPT	A	888R-M4AC1-1F	
	1 Red/White Tr 2 Red 3 Green (GND) 4 Red/Yellow Tr 5 Red/Black Tr		0.3 (1)	1/4" x 18NPT	B	888R-M4AC2-1F	
			0.9 (3)	1/2" x 14NPT	A	888R-M5AC1-1F	
	1 Red/White Tr 2 Red 3 Green 4 Red/Yellow Tr 5 Red/Black Tr 6 Red/Blue Tr		0.3 (1)	1/4" x 18NPT	B	888R-M5AC2-1F	
			0.3 (1)	1/4" x 14NPT	A	888R-M6AC1-1F <i>New</i>	
Mounting nuts for 1/2-14NPT threaded receptacles are available in bags of 10 pieces						889A-U1NUT-10	
Flat, sealing washers for 1/2-14NPT threaded receptacles are available in bags of 10 pieces						889A-U1FSL-10	

Distribution Box, 4-Port AC Micro Style

Parallel Wired

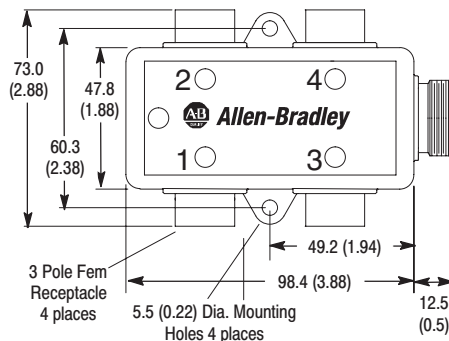


4-Port AC Micro

Specifications

Body	Yellow PET
Connector Input	PVC
Receptacle Shell	Anodized aluminum with clear sealant
Contacts	Gold-plated palladium/nickel
Enclosure Rating	IP67, NEMA 6P
Temperature	-30°C to +105°C (-22°F to +221°F)

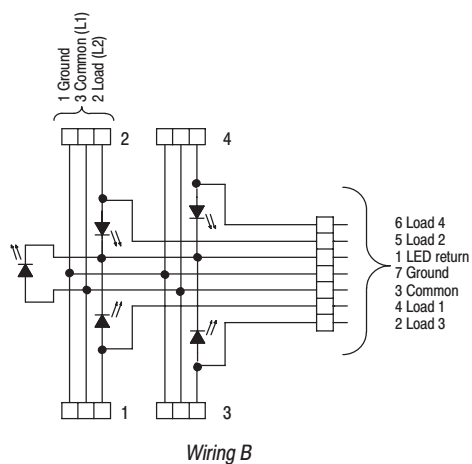
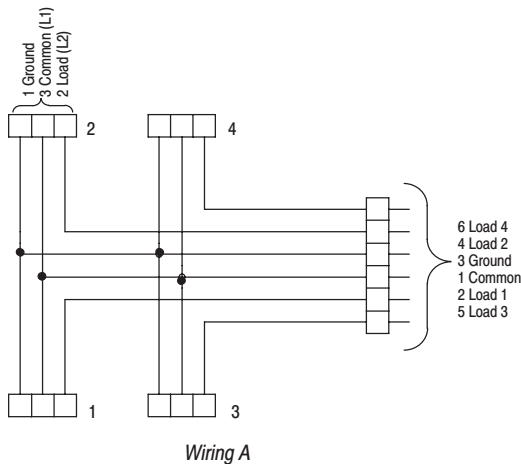
Dimensions—mm (in)



Features

- 4 parallel wired 3-pin AC micro connectors
- Highly visible yellow PET body offers good chemical and oil resistance
- UL recognized and CSA certified

Wiring Diagrams



Selection Guide

Face View of Female (4)	Illuminated	Rating	Face View of Male (1)	Wiring	Catalog Number
<p>For mating male cordsets and patchcords see <i>Sensors Today Plus</i>.</p>	No LED	300V 3A	<p>For mating cordsets see the <i>Sensors</i> catalog.</p>	A	898R-34PS-N6
	LED	120V 3A	<p>For mating cordsets see the <i>Sensors</i> catalog.</p>	B	898R-L34PS-N7
Aluminum sealing caps for unused ports					899A-RMCAP

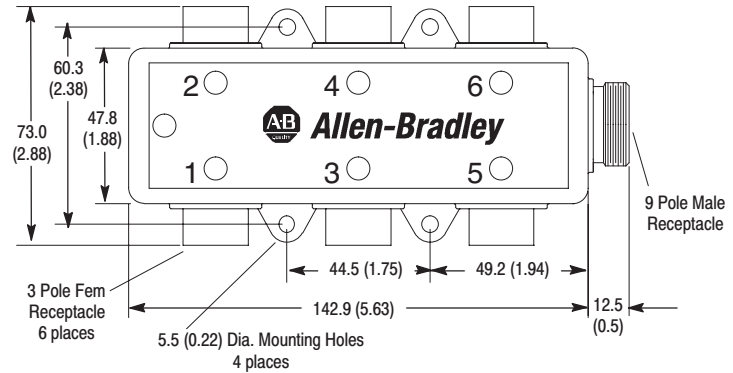


6-Port AC Micro

Specifications

Body	Yellow PET
Connector Input	PVC
Receptacle Shell	Anodized aluminum with clear sealant
Contacts	Gold-plated palladium/nickel
Enclosure Rating	IP67, NEMA 6P
Temperature	-30°C to +105°C (-22°F to +221°F)

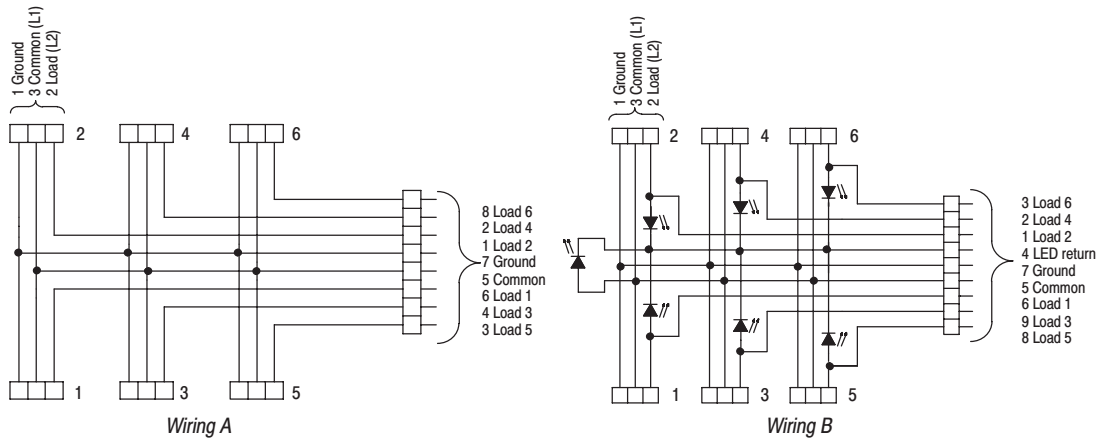
Dimensions—mm (in)



Features

- 6 parallel wired 3-pin AC micro connectors
- Highly visible yellow PET body offers good oil and chemical resistance
- UL recognized and CSA certified

Wiring Diagrams



Selection Guide

Face View of Female (6)	Illuminated	Rating	Face View of Male (1)	Wiring	Catalog Number
<p>For mating male cordsets and patchcords see <i>Sensors Today Plus</i>.</p>	No LED	300V 3A	<p>For mating cordsets see the <i>Sensors</i> catalog.</p>	A	898R-36PS-N8
	LED	120V 3A	<p>For mating cordsets see the <i>Sensors</i> catalog.</p>	B	898R-L36PS-N9
Aluminum sealing caps for unused ports					899A-RMCAP

Distribution Box, 8-Port AC Micro Style

Parallel Wired

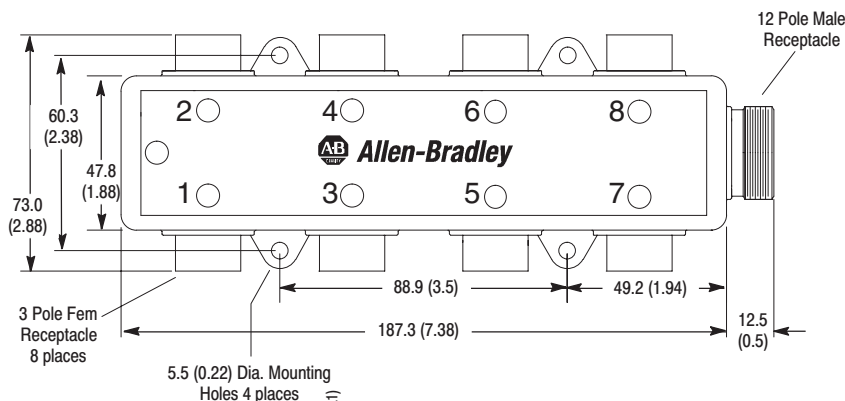


8-Port AC Micro

Specifications

Body	Yellow PET
Connector Input	PVC
Receptacle Shell	Anodized aluminum with clear sealant
Contacts	Gold-plated palladium/nickel
Enclosure Ratings	IP67, NEMA 6P
Temperature	-30°C to +105°C (-22°F to +221°F)

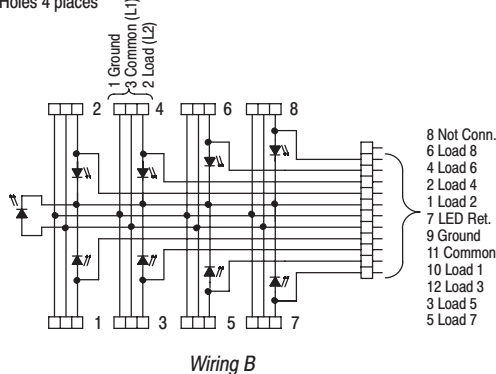
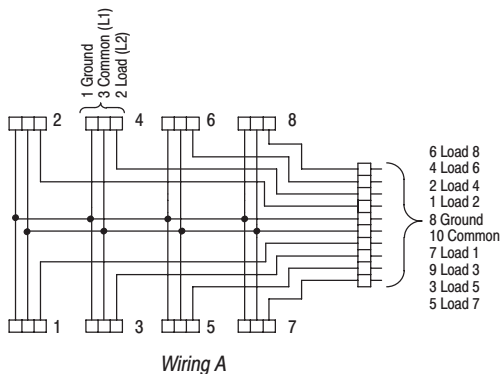
Dimensions—mm (in)



Features

- Eight parallel wired 3-pin AC micro connectors
- Highly visible yellow PET body offers good oil and chemical resistance
- UL recognized and CSA certified

Wiring Diagrams



Selection Guide

Face View of Female (8)	Illuminated	Rating	Face View of Male (1)	Wiring	Catalog Number
<p>For mating male cordsets and patchcords see <i>Sensors Today Plus</i>.</p>	No LED	300V 3A	<p>For mating cordsets see the <i>Sensors</i> catalog.</p>	A	898R-38PS-N10
	LED	120V 3A	<p>For mating cordsets see the <i>Sensors</i> catalog.</p>	B	898R-L38PS-N12
Aluminum sealing caps for unused ports					889A-RMCAP



AC Micro Male Receptacle

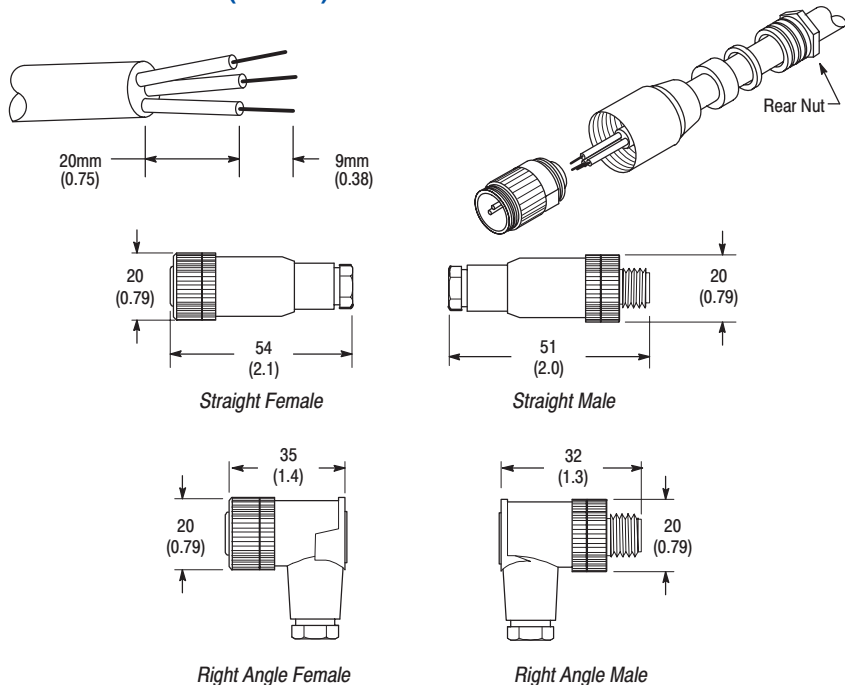
Specifications

Coupling Nut	Nickel-plated brass
Connector Shell	Nylon
Contacts	Gold-plated palladium nickel
Maximum Wire Size	18AWG (0.75mm ²)
Enclosure	NEMA 6; IP67 (IEC 529)
Temperature	-40° C to 90° C (-40° F to 194° F)

Features

- Field installable
- 3-pin AC micro style
- Straight or right angle
- Screw terminals provide simple and secure installation
- Allows easy modification of existing cable installations

Dimensions—mm (inches)



Selection Guide

Style	Cable Diameter mm (in)	Maximum Wire Size	Face View		Catalog Number	
			Female	Male	Female	Male
Straight	4.0-6.0 (0.16-0.24)	18 AWG (0.75mm ²)			871A-TS3-R	871A-TS3-RM
Right Angle					871A-TR3-R	871A-TR3-RM
Straight	6.0-8.0 (0.24-0.32)	18 AWG (0.75mm ²)			871A-TS3-R1	871A-TS3-RM1
Right Angle					871A-TR3-R1	871A-TR3-RM1