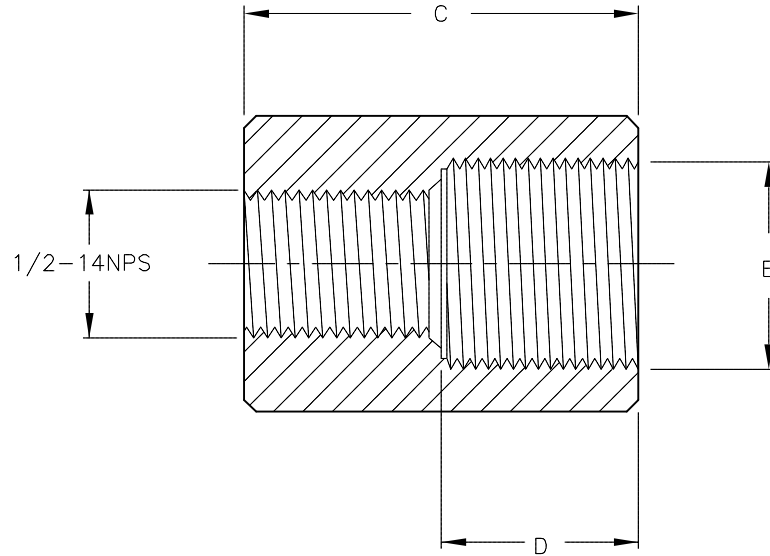
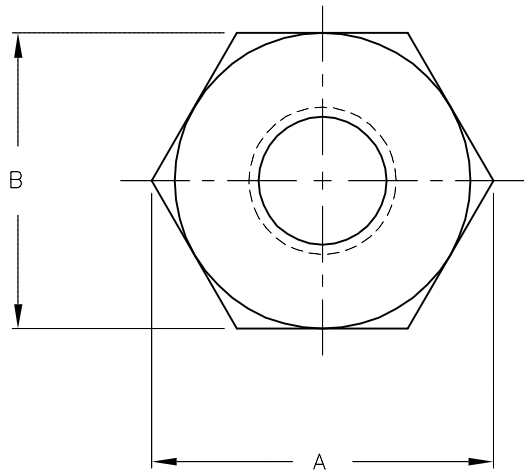


DESCRIPTION OF TABULATION

PART NO.	ID NO.	RAW MAT. NUMBER	DIMENSIONS				
			A	B	C	D	E
TMF 30-G	A3345	10160151	$\frac{1.73"}{44.0}$	$\frac{1.50"}{38.1}$	$\frac{1.00"}{25.4}$	$\frac{.40"}{10.2}$	M30x1.5-6G



NOTES:

1. CONDUIT ADAPTERS FOR USE WITH G AND P STYLE BARREL SENSORS.

RELATED DOCUMENTS		3RD ANGLE PROJECTION		THIS DRAWING IS CONFIDENTIAL AND THE PROPERTY OF TURCK INC. USE OF THIS DOCUMENT WITHOUT WRITTEN PERMISSION IS PROHIBITED.		3000 CAMPUS DRIVE MINNEAPOLIS, MN 55441 1-800-544-7769 (763) 553-7300 (763) 553-0708 fax www.turck.us	
1. 2. 3. 4.				DRFT GMB DATE 1/21/88 DSGN SCALE NONE		DESCRIPTION TMF 30-G	
MATERIAL ALUMINUM		ALL DIMENSIONS DISPLAYED ON THIS DRAWING ARE FOR REFERENCE ONLY		UNIT OF MEASUREMENT <b>INCH [ MILLIMETER ]</b>		IDENTIFICATION NO. A3345	
FINISH CLEAR IRRIDITE		CONTACT TURCK FOR MORE INFORMATION		DO NOT SCALE THIS DRAWING		REV F	
F UPDATE TO CURRENT TITLEBLOCK		RDS 07/16/02 5504		FILE: A3345		SHEET 1 OF 1	
REV	DESCRIPTION	BY	DATE	ECO NO.			