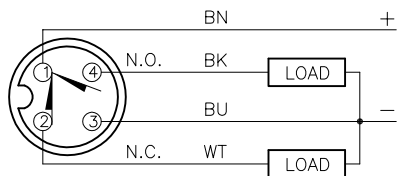


WIRING DIAGRAM

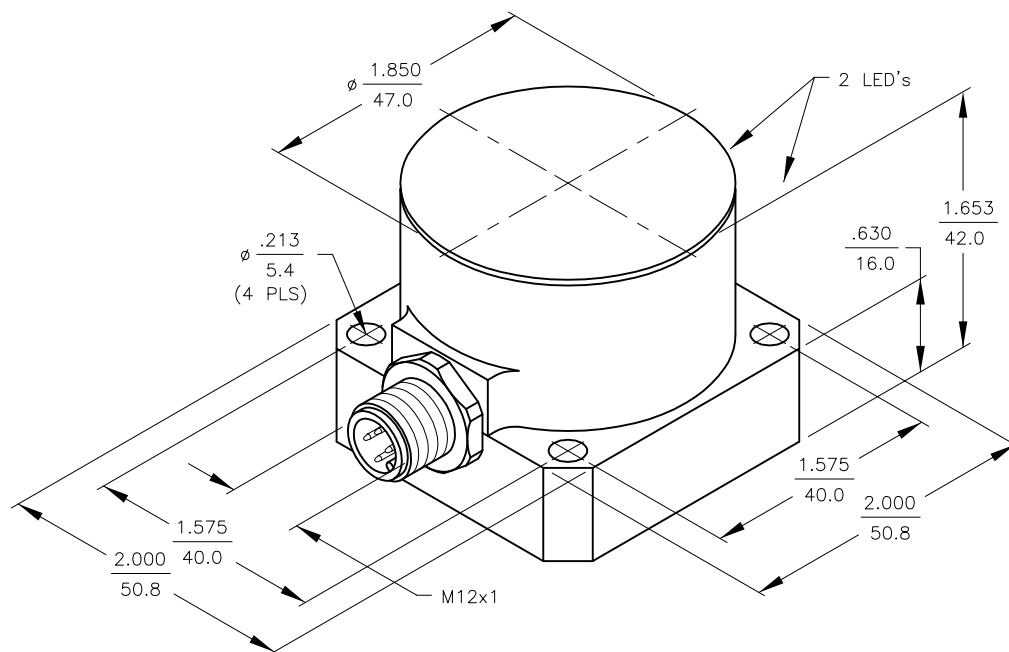


OUTPUT: VP4X2

SHORT-CIRCUIT AND OVERLOAD PROTECTED

SPECIFICATIONS

OPERATING VOLTAGE	10-65 VDC
RIPPLE	≤ 10%
DIFFERENTIAL TRAVEL (HYSTERESIS)	3-15% (5% TYPICAL)
VOLTAGE DROP ACROSS CONDUCTING SENSOR	≤ 1.8 V at 200 mA
OUTPUT FUNCTION	COMPLEMENTARY OUTPUT ONE N.O., ONE N.C. (SPDT)
CONTINUOUS LOAD CURRENT	≤ 200 mA
SHORT-CIRCUIT PROTECTED	YES
TRIGGER CURRENT FOR OVERLOAD PROTECTION	≥ 200 mA
NO-LOAD CURRENT	8-13 mA
WIRE-BREAK PROTECTED	INCORPORATED
REVERSE POLARITY PROTECTION	INCORPORATED
OFF-STATE (LEAKAGE) CURRENT	<10μ A
TIME DELAY BEFORE AVAILABILITY	4-8 ms
PROTECTION AGAINST TRANSIENTS	EN 60947-5-2
OPERATING TEMPERATURE	-25°C to +70°C (-13°F to +158°F)
ENCLOSURE	MEETS NEMA 1, 3, 4, 6, 13 AND IEC IP67
SHOCK	30 g, 11 ms
VIBRATION	55 Hz, 1 mm AMPLITUDE (IN ALL 3 PLANES)
LED FUNCTION	YELLOW: SWITCHING STATUS GREEN: OPERATING VOLTAGE
RATED OPERATING DISTANCE(Sn)	20 mm = .787" (NOMINAL)
SWITCHING FREQUENCY	200 Hz
REPEATABILITY	≤ 2% of RATED OPERATING DISTANCE
EMBEDDABLE (SHIELDED)	YES
MATING PLUGS/CABLES	4-PIN "EUROFAST" CONSTRUCTION



RELATED DOCUMENTS		3RD ANGLE PROJECTION		THIS DRAWING IS CONFIDENTIAL AND THE PROPERTY OF TURCK INC. USE OF THIS DOCUMENT WITHOUT WRITTEN PERMISSION IS PROHIBITED.		TURCK INC High Technology Sensors and Automation Controls 3000 CAMPUS DRIVE MINNEAPOLIS, MN 55441 1-800-544-7769 (763) 553-7300 (763) 553-0708 fax turck.com	
1. 2. 3. 4.				DRFT SWC	DATE 9/16/96	DESCRIPTION Bi20U-Q50-VP4X2-H1141	
MATERIAL ALUMINUM		ALL DIMENSIONS DISPLAYED ON THIS DRAWING ARE FOR REFERENCE ONLY		DSGN	SCALE NONE	IDENTIFICATION NO. M1538193	
FINISH PTFE SENSING CAP		CONTACT TURCK FOR MORE INFORMATION		UNIT OF MEASUREMENT INCH [MILLIMETER]		REV C	
C REMOVE TRADEMARKED MATERIAL REFERENCES		CBM	11/16/12	40471	DO NOT SCALE THIS DRAWING		FILE: M1538193
REV	DESCRIPTION	BY	DATE	ECO NO.	SHEET 1 OF 1		