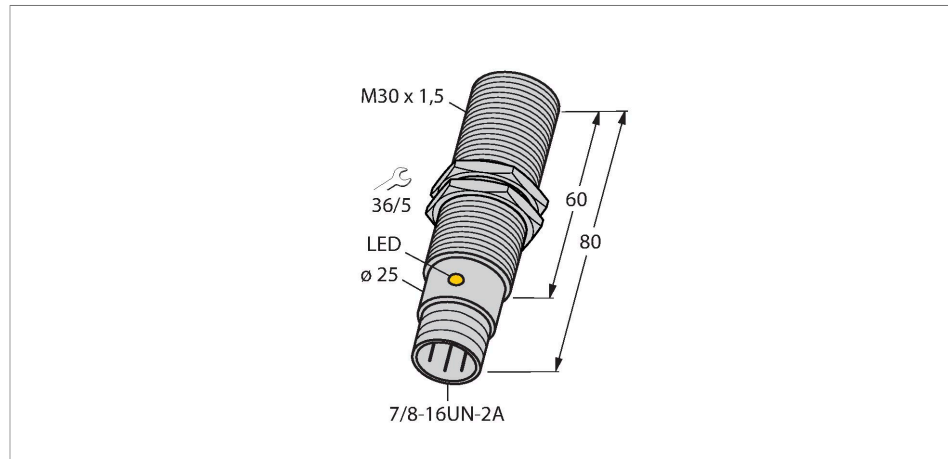


# BI10-G30-ADZ30X2-B1131

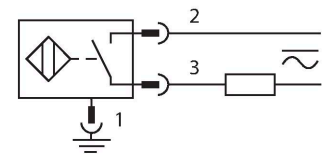
## Inductive sensor



### Features

- Threaded barrel, M30 x 1.5
- Chrome-plated brass
- AC 2-wire, 20...250 VDC
- DC 2-wire, 10...300 VDC
- NO contact
- 7/8" male connector

### Wiring diagram

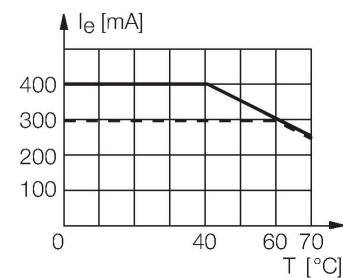


### Technical data

<b>Type</b>	BI10-G30-ADZ30X2-B1131
Ident. no.	42075
Rated switching distance	10 mm
Mounting conditions	Flush
Secured operating distance	≤ (0,81 x Sn) mm
Correction factors	St37 = 1; Al = 0.3; stainless steel = 0.7; Ms = 0.4
Repeat accuracy	≤ 2 % of full scale
Temperature drift	≤ ± 10 %
Hysteresis	3...15 %
Ambient temperature	-25...+70 °C
<b>Operating voltage</b>	20...250 VAC
Operating voltage	10...300 VDC
AC rated operational current	≤ 400 mA
DC rated operational current	≤ 300 mA
Frequency	≥ 50...≤ 60 Hz
Residual current	≤ 1.7 mA
Isolation test voltage	≤ 1.5 kV
Surge current	≤ 3 A (≤ 20 ms max. 5 Hz)
Short-circuit protection	yes / Latching
Voltage drop at	≤ 6 V
Wire breakage/Reverse polarity protection	yes / Complete
Output function	2-wire, NO contact
Smallest operating current	≥ 3 mA
Switching frequency	0.02 kHz

### Functional principle

Inductive sensors detect metal objects contactless and wear-free. For this, they use a high-frequency electromagnetic AC field that interacts with the target. Inductive sensors generate this field via an RLC circuit with a ferrite coil.

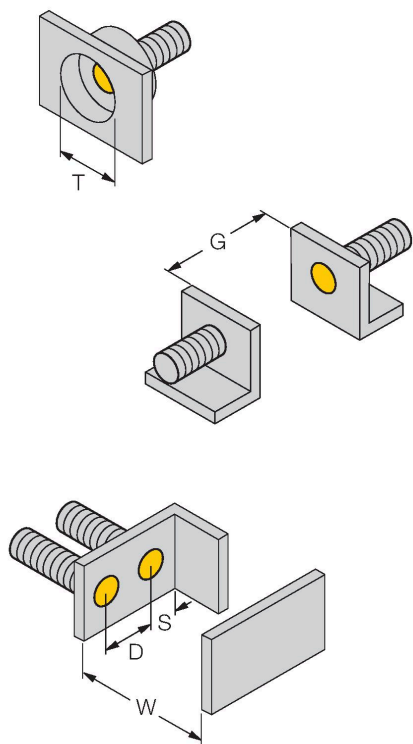


## Technical data

<b>Design</b>	Threaded barrel, M30 × 1.5
<b>Dimensions</b>	80 mm
<b>Housing material</b>	Metal, CuZn, Chrome-plated
<b>Active area material</b>	Plastic, PA12-GF30
<b>Max. tightening torque housing nut</b>	75 Nm
<b>Electrical connection</b>	Connector, 7/8"
<b>Vibration resistance</b>	55 Hz (1 mm)
<b>Shock resistance</b>	30 g (11 ms)
<b>Protection class</b>	IP67
<b>MTTF</b>	2283 years acc. to SN 29500 (Ed. 99) 40 °C
<b>Switching state</b>	LED, Red

## Mounting instructions

### Mounting instructions/Description



Distance D	2 x B
------------	-------

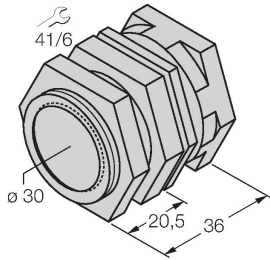
Distance T	3 x B
------------	-------

Diameter active area	Ø 30 mm
B	

## Accessories

**QM-30**

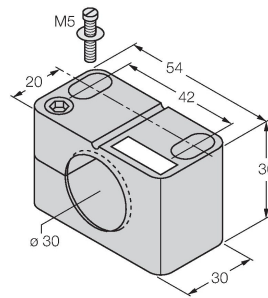
**6945103**



Quick-mount bracket with dead-stop; material: Chrome-plated brass. Male thread M36 × 1.5. Note: The switching distance of the proximity switches may change when using quick-mount brackets.

**BST-30B**

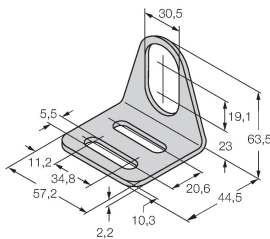
**6947216**



Mounting clamp for threaded barrel sensors, with dead-stop; material: PA6

**MW30**

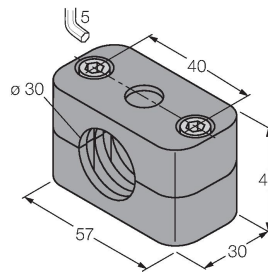
**6945005**



Mounting bracket for threaded barrel sensors; material: Stainless steel A2 1.4301 (AISI 304)

**BSS-30**

**6901319**



Mounting clamp for smooth and threaded barrel sensors; material: Polypropylene