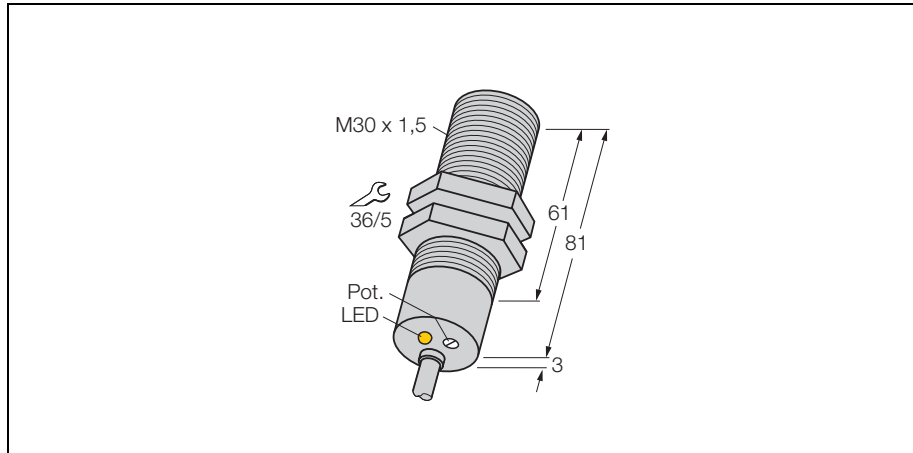


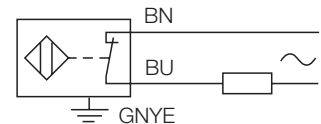
## Capacitive sensor

### BC10-M30-RZ3X



- threaded barrel, M30 x 1,5
- chrome-plated brass
- fine adjustment via potentiometer
- 2-wire AC, 20...250 VAC
- normally closed
- cable connection

#### Wiring diagram



#### Function principles

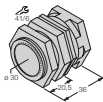
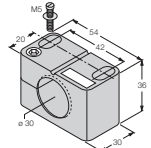
Capacitive proximity switches are designed for non-contact and wear-free detection of metal (electrically conductive) and non-metal (electrically non-conductive) objects.

<b>Type</b>	BC10-M30-RZ3X
Ident-No.	23098
<b>Rated operating distance Sn</b>	10 mm, flush mounting
Rated operating distance Sn	10 mm, non-flush mounting
Hysteresis (switching distance)	2... 20 %
Temperature drift	≤ ± 20 %
Min. repeat accuracy	≤ 2 %
Operating temperature	-25 ...+ 70 °C
<b>Rated operational voltage (AC) U<sub>B</sub></b>	20... 250 VAC
Rated operational current (AC) I <sub>e</sub>	≤ 500 mA
Line frequency	50... 60 Hz
Min. operational current I <sub>m</sub>	≥ 5 mA
Max. OFF-state current	≤ 1,7 mA
Max. switching frequency	≤ 0,02 kHz
Rated insulation voltage	≤ 1,5 kV
Output function	2-wire, normally closed
Max. voltage drop at I <sub>e</sub>	≤ 7 V
<b>Housing style</b>	threaded barrel; M30 x 1,5
Dimensions	81 mm
Housing material	metal, CuZn, chrome-plated
Active face	plastic, PA12-GF30
Max. fixing torque of coupling nut	25 Nm
Wiring	cable
Cable	Ø 5,2, LifYY, PVC, 2 m
Cable cross section	3 x 0,5 mm <sup>2</sup>
Vibration resistance	55 Hz (1 mm)
Shock resistance	30 x g (11 ms)
Degree of protection	IP67
<b>Switching status indication</b>	LED yellow

## Capacitive sensor

### BC10-M30-RZ3X

#### Accessories

Typ	Ident-No.	Description	Dimension drawing
QM-30	6945103	quick-mount fixing clamp with dead-stop; material: chrome-plated brass external thread M36 x 1,5.	
BST-30B	6947216	fixing clamp with dead-stop; material: PA6	
MAP-M30	6950013	mounting adapter; material: Polypropylen; sensor replacement with filled container possible (adapter remains in container during sensor replacement)	