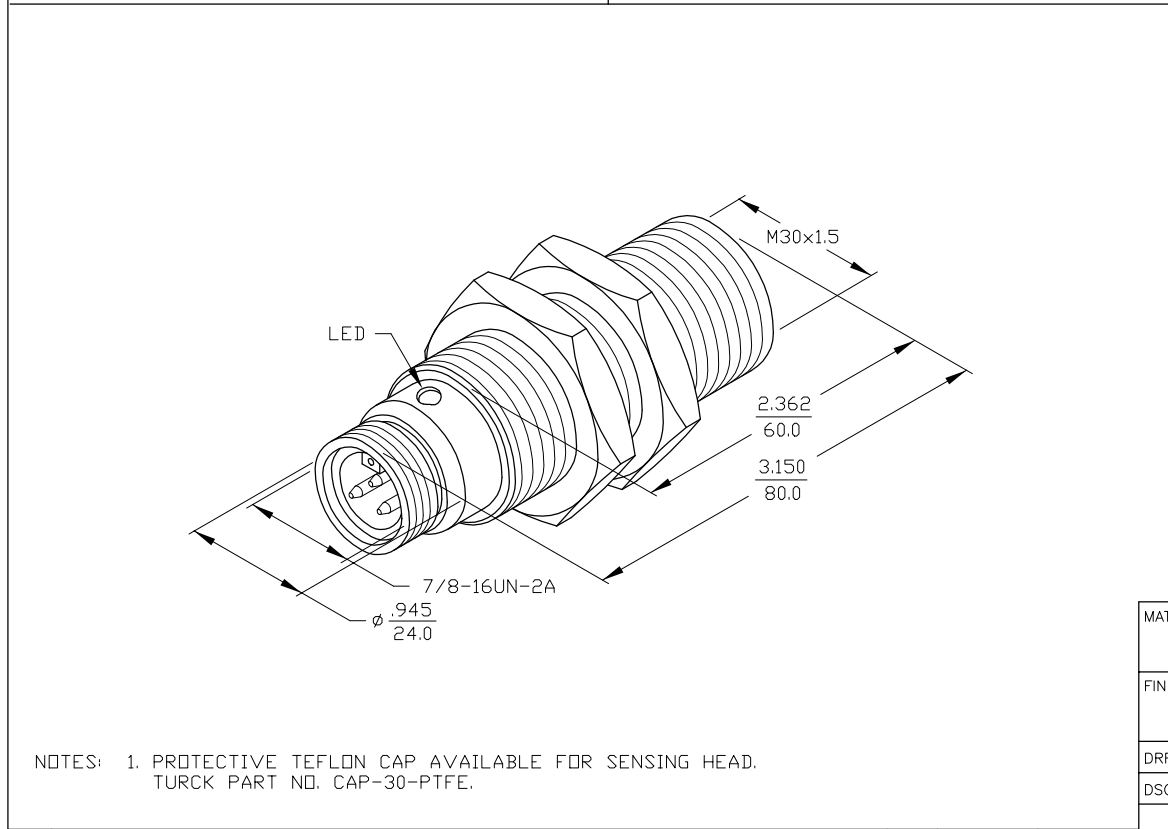
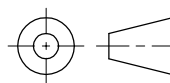


SPECIFICATIONS

OPERATING VOLTAGE	20-250 VAC
LINE FREQUENCY	40-60 Hz
DIFFERENTIAL TRAVEL (HYSTERESIS)	3-15% (<5% TYPICAL)
VOLTAGE DROP ACROSS CONDUCTING SENSOR	≤7.0 V at 500 mA
OUTPUT FUNCTION -AZ	NORMALLY OPEN 2-WIRE AC SELF-CONTAINED
SHORT-CIRCUIT PROTECTED	NO
CONTINUOUS LOAD CURRENT	≤500 mA
OFF-STATE (LEAKAGE) CURRENT	≤1.7 mA
MINIMUM LOAD CURRENT	≥5.0 mA
INRUSH CURRENT	≤8.0 A(≤10 ms/5 Hz)
TIME DELAY BEFORE AVAILABILITY	≤25 ms
POWER-ON EFFECT PROTECTION	INCORPORATED
PROTECTION AGAINST TRANSIENTS	5 kV, 10 ms, 10 kΩ
OPERATING TEMPERATURE	-25°C to +70°C (-13°F to +158°F)
ENCLOSURE	MEETS NEMA 1, 3, 4, 6, 13 AND IEC IP67
SHOCK	30 g, 11 ms
VIBRATION	55 Hz, 1 mm AMPLITUDE (IN ALL 3 PLANES)
LED FUNCTION	RED: OUTPUT ENERGIZED
SENSING RANGE	10 mm = .394" (NOMINAL)
SWITCHING FREQUENCY	20 Hz
REPEATABILITY	≤2% of RATED OPERATING DISTANCE
EMBEDDABLE (SHIELDED)	YES
MATING PLUGS/CABLES	3-PIN "MINI" CONSTRUCTION



NOTES: 1. PROTECTIVE TEFLON CAP AVAILABLE FOR SENSING HEAD.
TURCK PART NO. CAP-30-PTFE.

MATERIAL	BRASS BARREL	3RD ANGLE PROJECTION		TURCK INC 3000 CAMPUS DRIVE MINNEAPOLIS, MN 55441 PHONE: (763) 553-7300	
FINISH	COPPER, NICKEL, CHROME PLATING				
DRFT	SMW	DATE	3/3/87	PART NO./DESCR.	
DSGN		Y#		B110-G30-AZ3X-B1131	
DIMENSION UNITS: INCHES [MILLIMETERS]				SIZE	ID NO.
				B	4372200
				SCALE	NONE
				BMQD-A\4372200	SHEET OF

B	SEE REVISION DOCUMENT 4372200	SWC	12/28/93	
REV	DESCRIPTION	DRFT	DATE	ECO NO.
REVISIONS				