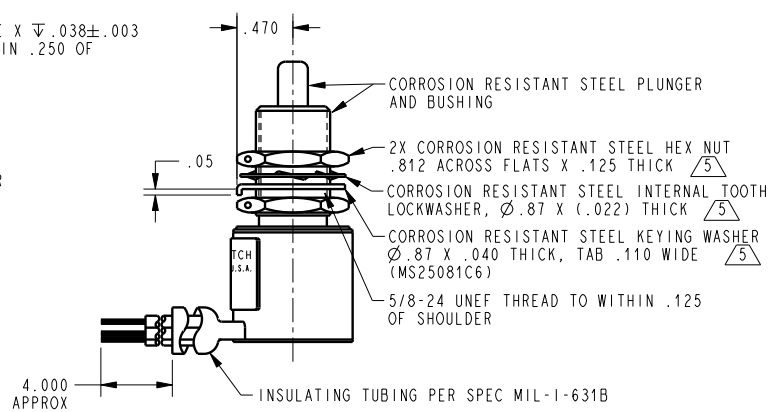
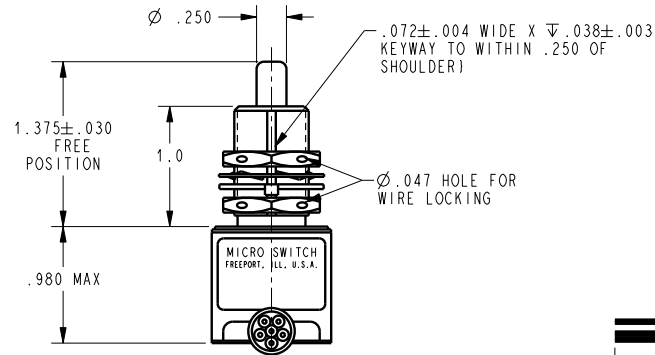
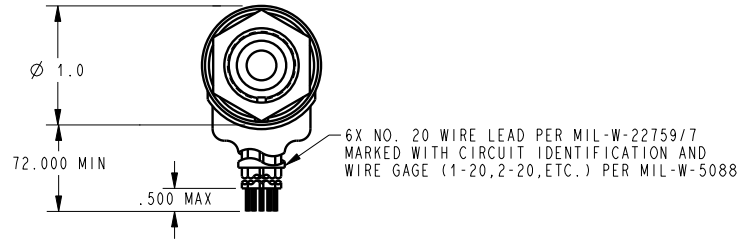


CIRCUIT DIAGRAM



1EN31-6

CATALOG LISTING  
PAGE 1 OF 1  
ISSUE 23

REVISIONS  
A 0000777  
10 JUL 03

CHECK  
10 JUL 03  
SAV

PTC/CAD 2D  
DRAWN  
C S L 10 JUL 03  
CHECK

THIS DRAWING COVERS A PROPRIETARY ITEM AND IS THE PROPERTY OF MICRO SWITCH, A DIVISION OF HONEYWELL. THIS DRAWING IS NOT TO BE COPIED OR USED WITHOUT THE APPROVAL OF MICRO SWITCH

THIRD ANGLE PROJECTION

| CHARACTERISTICS       |           |
|-----------------------|-----------|
| OPERATING FORCE       | 6-12 LB   |
| FULL OVERTRAVEL FORCE | 30 LB MAX |
| RELEASE FORCE         | 4 LB MIN  |
| PRETRAVEL             | .040 MAX  |
| DIFFERENTIAL TRAVEL   | .020 MAX  |
| OVERTRAVEL            | .250 MIN  |

| ELECTRICAL DATA                   |           |            |
|-----------------------------------|-----------|------------|
| CONTACT ARRANGEMENT<br>2X S P D T |           |            |
| 28 VDC                            |           |            |
| LOAD                              | SEA LEVEL | 50,000 FT. |
| RES                               | 4         | 4          |
| IND                               | 2         | 2          |
| MOTOR                             | 4         |            |
| LAMP                              |           |            |

| SCALE                                     |       |
|---|-------|
| FULL                                      |       |
| DO NOT SCALE PRINT                        |       |
| UNLESS OTHERWISE SPECIFIED TOLERANCES ARE |       |
| ONE PLACE (.0)                            | ±.030 |
| TWO PLACE (.00)                           | ±.015 |
| THREE PLACE (.000)                        | ±.005 |
| ANGLES                                    | ±     |
| WEIGHT                                    |       |
| 9.25 OZ MAX                               |       |

- NOTES
- 1 - CORROSION RESISTANT STEEL ENCLOSURE
  - 2 - SWITCH SEALED PER MIL-PRF-8805 SYMBOL 4
  - 3 - COINCIDENCE OF OPERATING AND RELEASING POINTS: .010 OF PLUNGER TRAVEL
  - 4 - CIRCUIT DIAGRAM AND CATALOG LISTING ARE SHOWN ON NAMEPLATE
- (5) HARDWARE MAY BE PACKAGED UNASSEMBLED PER MIL-PRF-8805

ANSI Y14.5M-1982 APPLIES