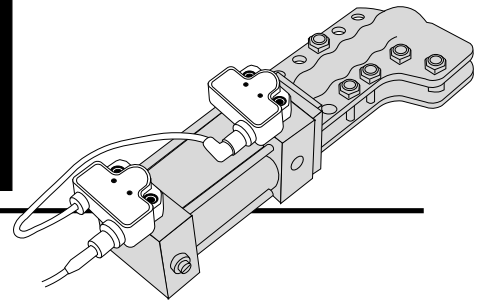


**Weld
Field
Immune**

Tandem Low Profile - Power Clamp Sensor Kit



Proximity Sensors

- Cabling is Reduced 50%
- Cabling is Industry-Standard Micro Style
- Outputs Remain Independent - Power and Ground Connectors are Factory Interconnected
- Cable Terminations Reduced for Installer
- Cable Bundle Density Reduced
- Reduces Junction Box Size
- Reduces Fitting Size
- Reduces Panel Size

The new Namco LP2™ Tandem Low Profile Power Clamp Sensor Kit is an adaptation of our successful Low Profile Cylindicator® sensor.

This new version reduces the cabling necessary by 50% when two sensors are required on an air or hydraulic cylinder.

The system consists of a new Low Profile Cylindicator sensor specially constructed as a common wiring point. Cabling is brought to the Master unit, then the built-in cable from the Master unit is connected to a standard Low Profile Cylindicator sensor. This eliminates 50% of the wiring density and labor required as compared to “conventional” practices.

The LP2™ sensor kit is the most cost effective, highest reliability solution for reducing sensor wiring complexity and cost in power clamp applications.

Applications:

Patented Weld Field Immune circuitry permits application within one inch of resistance welder tips carrying 20,000 Amperes. This system is ideal for end-of-stroke detection on hydraulic or pneumatic clamping cylinders in automotive assembly, metal fabricating, and general automated welding applications.

Cylindicator is a registered trademark of Namco Controls Corporation.

LP2 is a trademark of Namco Controls Corporation.

Ordering Information

Description	Part No.	Part No.
	2-wire AC/DC	3-wire DC
Standard LP2 Kit, 1.025" Probe	EE270-20420	EE280-20446
Kit includes:		
1 Master Low Profile Cylindicator® Sensor with “pigtail” interconnect	EE270-20421	EE280-20447
1 Standard Low Profile Cylindicator® Sensor	EE230-20420	EE210-20444



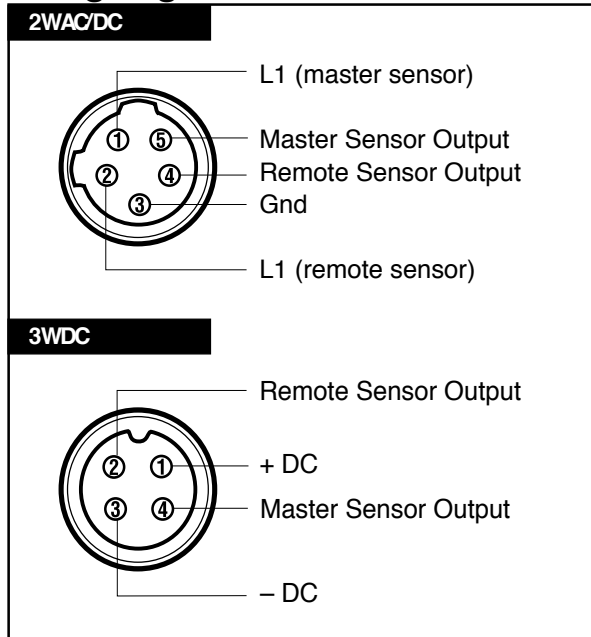
Specifications

LP2 POWER CLAMP SENSOR KIT		
Supply Voltage	10-30V DC	20-230V AC/DC
Voltage drop	≤2.5V @ 200mA ≤2.0V @ ≤100mA	≤10V
Max. Load Current @ 25°C	200mA	500mA
Inrush Current (rms 1Hz)	—	3A
Leakage Current	10µA	1.7mA
Response Time	30ms	
Power-up Time	35ms to 45ms	
Max. Switching Frequency	15 Hz	
Ambient Temp. Range	-20°C to 70°C	
Max. Continuous Pressure	1500 PSI	

	LED Functions			
	10-30V DC		20-230V AC/DC	
	Green	Amber	Red	Green
Power Off	Off	Off	Off	Off
Power On Load De-energized	On	Off	On	Off
Power On Load Energized	On	On	Off	On
* SCP Mode Activated	Both Flashing		Both Flashing	

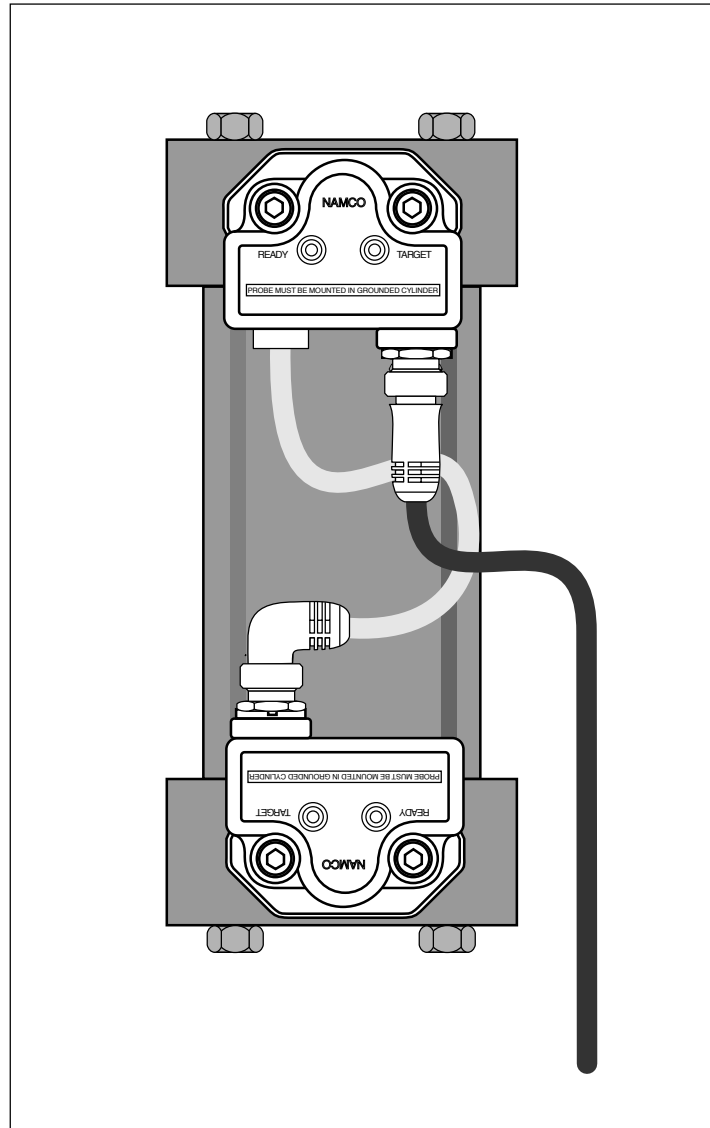
* Short Circuit Protection: If the sensor is shorted, the sensor's Short Circuit Protection (SCP) will be activated. When this occurs, both LED's will flash and the sensor will limit current flow to about 2.0mA.

Wiring Diagram



Tandem Low Profile - Power Clamp Sensor Kit

EE270-2



Proximity Sensors

NAMCO

2013 West Meeting Street • Lancaster, SC 29720
1-803-286-8491 • FAX: 1-800-678-6263
www.namcocontrols.com

For technical assistance, call 1-800-NAMTECH