

Type: **AT0-11-24DMT-ZBZ/X**  
 Article No.: **082832**

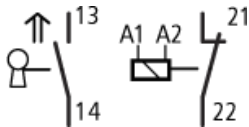


- With interlock monitoring
- Monitoring of door position: continuous

### Ordering information

Auxiliary contacts: = safety function, by positive opening to IEC/EN 60947-5-1 N/O = Normally open			1 N/O
Auxiliary contacts: = safety function, by positive opening to IEC/EN 60947-5-1 N/C = Normally closed			1 N/C
Rated control voltage for magnetic drive	$U_s$	V	24V DC

### Contact sequence

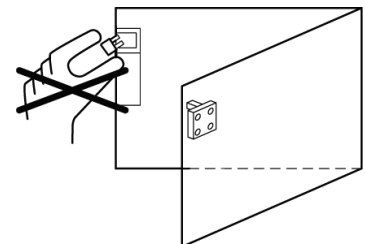


### Notes concerning the product group

Elektrische  
 Verschaltung mit  
 Schützen DIL und  
 Sicherheitsrelais  
 ESR4 →  
 Sicherheitshandbuch  
 TB0-009,

The operating  
 head can be  
 rotated manually  
 in 90° stages to  
 match the  
 specified plane  
 of actuation.

In the event of a loss of  
 voltage, e.g. during  
 commissioning, the  
 spring-powered  
 AT0-...-...FT-ZBZ can be  
 released with a  
 screwdriver.



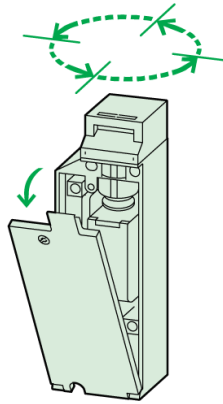
Bestell-Nr. 082309

Care should be taken during mounting and operation that no foreign bodies enter the actuator's entry aperture.

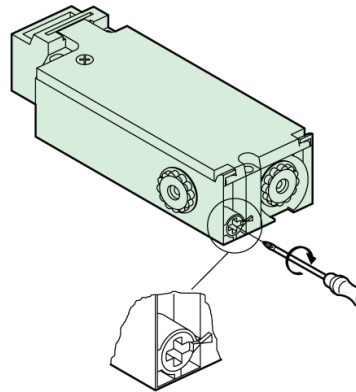
With the actuator inserted, the make contact is open and the break contact is closed.



**Switch must never be used as a mechanical stop!**



The auxiliary release mechanism must be sealed! →  
Montageanleitung  
AWA 131-1268



For IP65 degree of protection, use V-M20 cable gland with max.

9 mm connection thread length

**Accessories**  
V-M20 cable gland

**Page**  
→  
206910

## Notes concerning the product group

Time control of the release operation possible using ESR4-NV30-30

General			
Standards			IEC/EN 60947
Climatic proofing			Damp heat, constant, to IEC 60068-2-78, Damp heat, cyclic, to IEC 60068-2-30
Ambient temperature		°C	-25/+40
Mounting position			As required
Protection type			IP 65
Terminal capacities			
Solid		mm <sup>2</sup>	1 × (0.75 – 2.5) 2 × (0.75 – 1.5)
Flexible with ferrule		mm <sup>2</sup>	1 × (0.5 – 1.5) 2 × (0.5 – 1.5)
Contacts/switching capacity			
Rated impulse withstand voltage	$U_{imp}$	V AC	4000
Rated insulation voltage	$U_i$	V	400
Overvoltage category/pollution degree			III/3
Rated operational current			
AC-15			

24 V	$I_e$	A	6
230 V/240 V	$I_e$	A	6
400 V/415 V	$I_e$	A	4
DV-13			
24 V	$I_e$	A	3
110 V	$I_e$	A	0,8
220 V	$I_e$	A	0,3
Supply frequency		Hz	max. 400
Short-circuit rating in the closed state (IEC/EN 60947-5-1)			
Fuseless		Type	PKZM0-10 FAZ-B6/1
max. fuse		A gG/gL	10
Short-circuit rating to IEC/EN 60947-5-1			
max. fuse		A gG/gL	6
Repetition accuracy		mm	0,02
<b>Mechanical variables</b>			
Lifespan			
Standard-action contact	Operations	$\times 10^6$	1
Contact temperature of roller head		$^{\circ}\text{C}$	0
Mechanical shock resistance (half-sinusoidal shock, 20 ms)			
Standard-action contact		g	10
Operating frequency	Operations/h		800
<b>Actuation</b>			
Mechanical			
Actuating force at beginning/end of stroke			
ZB/ZBZ (push in/pull out)		N	25/15
Mechanical holding force			
ZBZ/G, ZBZ/W		N	2000
ZBZ/F, ZBZ/NW		N	1000
ZBZ/FG, ZBZ/NG		N	1800
Electromechanical			
For magnet			
Power consumption			
at 120 V AC		VA	8

