

SY0104

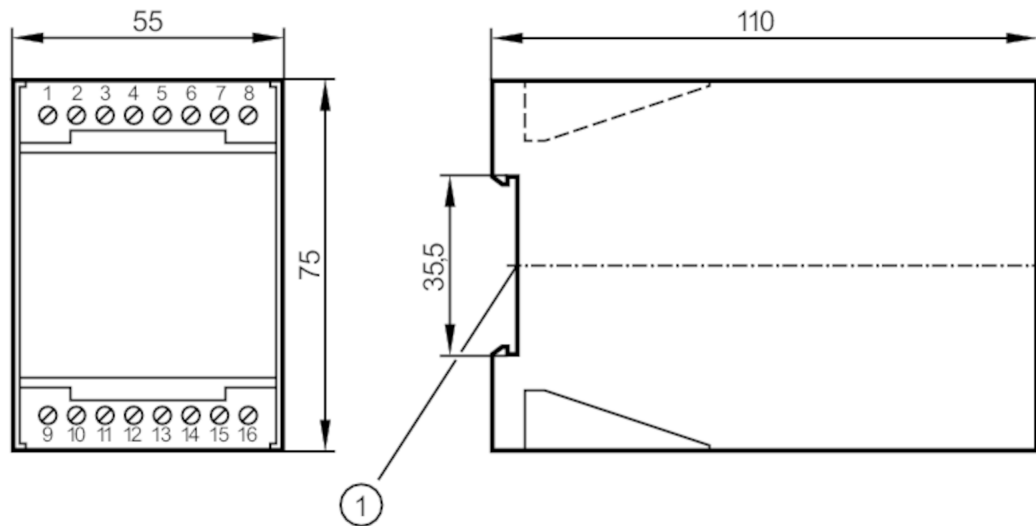


Control monitor for flow sensors

VS0200/110VAC

Article no longer available - archive entry

replaced by: SN0150



1 Mounting on DIN rail



Application

Application Flow monitoring; Wire break monitoring

Electrical data

Operating voltage tolerance [%]	-10...10
Operating voltage [V]	< 110 AC
Power-on delay time [s]	30
Number of channels	1

Outputs

Total number of outputs	2
Electrical design	Relay
Switching function flow monitoring	relay energised when flow is present
Switching function wire break monitoring	relay is de-energised in case of wire break and short-circuit

Reaction times

Response time [s]	< 10
-------------------	------

Software / programming

Adjustment of the switch point	potentiometer
Selection liquids / gases	with slide switch

Operating conditions

Ambient temperature [°C]	0...60
Protection	IP 40
Protection rating terminals	IP 20

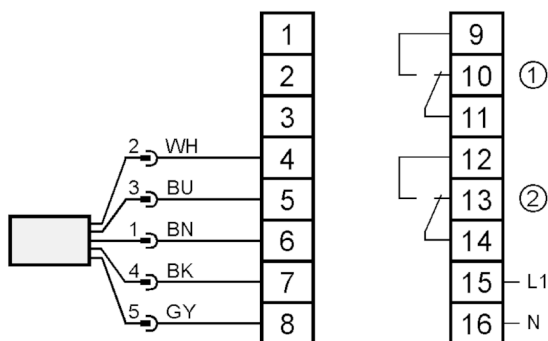
SY0104



Control monitor for flow sensors

VS0200/110VAC

Mechanical data		
Housing	housing for DIN rail mounting	
Dimensions [mm]	75 x 55 x 110	
Material	plastics	
Displays / operating elements		
Display	Function	11 x LED
	Switching status	LED, red
Remarks		
Pack quantity	1 pcs.	
Electrical connection		
terminals: 16 x ...2.5 mm ²		
Connection		



1: Relais Wire break monitoring

2: Relais Flow monitoring

Core colors :

BN = brown

BU = blue

BK = black

WH = white

GY = grey

Article no longer available - archive entry

replaced by: SN0150