



**Cable operation**

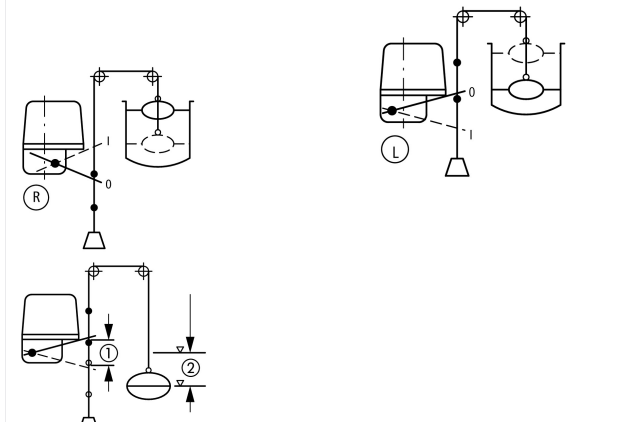
**Part no.** SBO-SW  
**Catalog No.** 045869  
**Alternate Catalog No.** SBO-SW  
**EL-Nummer (Norway)** 4356152

**Delivery program**

Product range		Accessories
Basic function		Cable operation kit
		Equipment supplied: 1 cable eye bolt 2 Guide pulley 4 cable clamps, incl. screws 10 m steel cable (plastic-sheathed) 1 Counterweight

**Notes**  
 The function is defined by moving the pivot point or flipping the lever arm at the installation location:

**Pump full:** Pivot point on right  
**Pump dry:** Pivot point on left (state of delivery)



① Stroke  
 ② Level difference  
 The actuation force is produced by the float weight and the counterweight and is transmitted to the switching lever via the cable clamps attached to the wire rope.

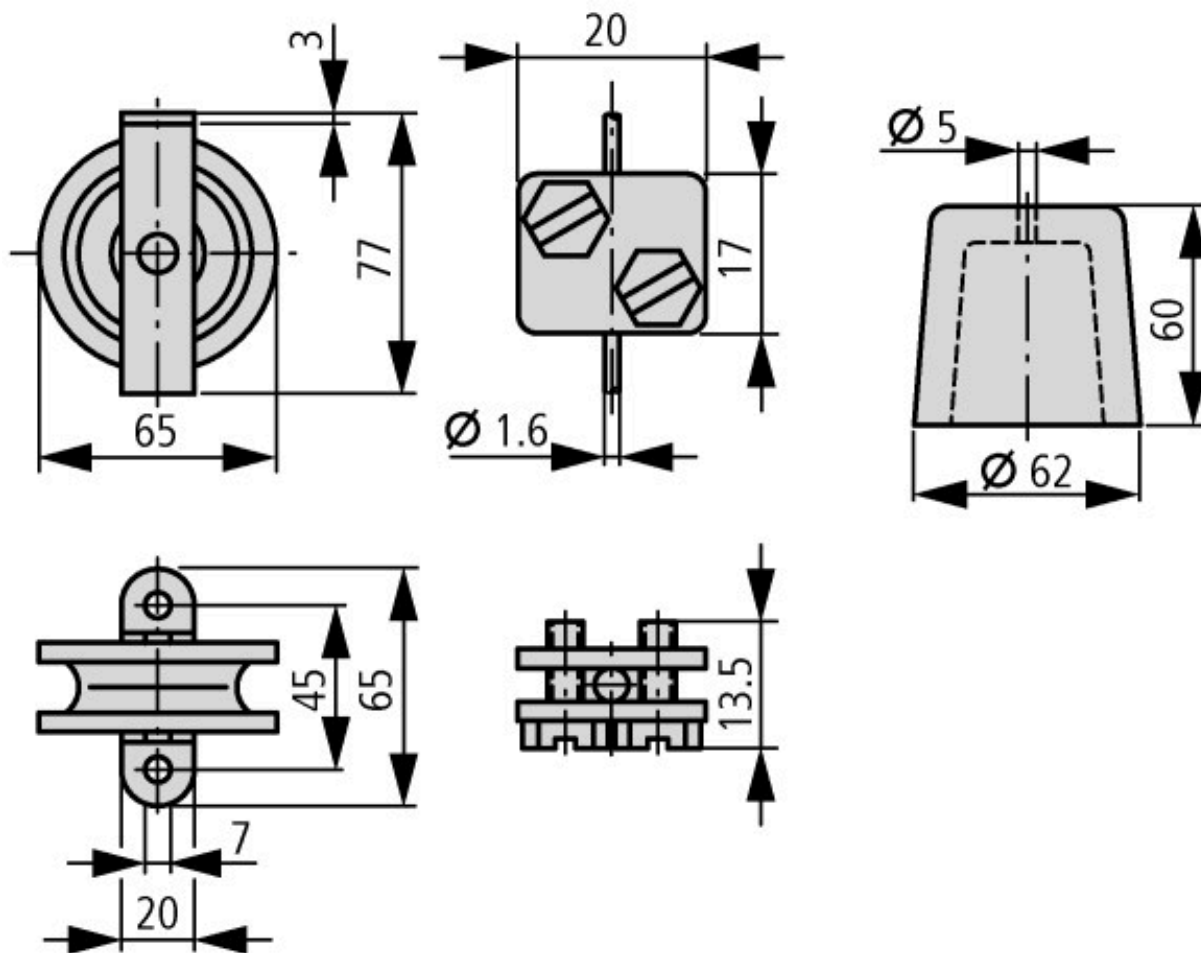
**Design verification as per IEC/EN 61439**

Technical data for design verification		
Operating ambient temperature min.	°C	-25
Operating ambient temperature max.	°C	70

**Technical data ETIM 7.0**

Low-voltage industrial components (EG000017) / Accessories for control circuit devices (EC002024)		
Type of electrical accessory		Other
Type of mechanical accessory		Other

## Dimensions



Cable operation:  
Left: guide pulley  
Centre: cable clamp  
Right: 0.9 kg counterweight