

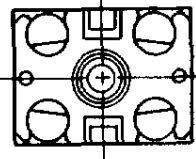
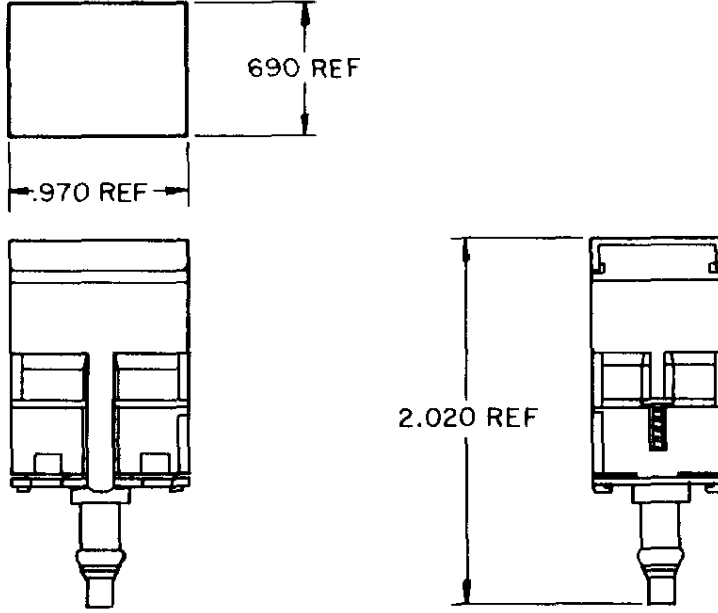


MICRO SWITCH
 FREEPORT ILLINOIS, U S A
 A DIVISION OF HONEYWELL
 FED. MFG CODE 91929

DISPLAY MODULE

CATALOG LISTING
2L SERIES CHART I

THIS DRAWING COVERS A PROPRIETARY ITEM AND IS THE PROPERTY OF MICRO SWITCH, A DIVISION OF MINNEAPOLIS-HONEYWELL REGULATOR CO. THIS DRAWING IS NOT TO BE COPIED OR USED WITHOUT THE APPROVAL OF MICRO SWITCH.



- NOTES**
- 1 - ALL CATALOG LISTINGS FURNISHED WITH COLORLESS LEGEND PLATE
 - 2 - CAP AND LEGEND PLATE ARE FURNISHED UNASSEMBLED UNLESS LEGENDED (-L) THEN ASSEMBLE
 - 3 - LEGEND PLATE IS .865 X .590 X .028 THICK

CATALOG LISTING
2L SERIES CHART I
 PAGE 1 OF 1
 ISSUE 7
 RELEASE NO. PR-9850
 REVISIONS
 A PR-723
 D L F
 21 MAY 69
 B PR-9850
 J M J
 12 FEB 81
 C CO80894
 DLT
 7 JUL 95
 D CO81946
 J J A
 27 OCT 95
 E CO-92836
 CSL
 18 AUG 98
 F CO-95810
 CSL
 31 JAN 00
 DRAWN O M W
 26 FEB 65
 CHECK M L D
 2 MAR 65
 CHECK
 REPLACES

CAT LIST.	BUTTON ACTUATOR	CAP	CAT. LIST.	BUTTON ACTUATOR	CAP
(F)	RED	RED			
2L2	YELLOW	YELLOW			
(F)	GREEN	GREEN			
2L4	BLUE	BLUE			
(F)	WHITE	WHITE			
(F)	RED	RED			
(E)	YELLOW	YELLOW			
(F)	GREEN	GREEN			
(C)	BLUE	BLUE			
2L70	WHITE	COLORLESS			
2L81	RED	COLORLESS			
2L82	YELLOW	COLORLESS			
2L85	GREEN	COLORLESS			
(F)	BLUE	COLORLESS			
2LI03	WHITE	BLUE			
2LI01	WHITE	RED			