

# SY0100

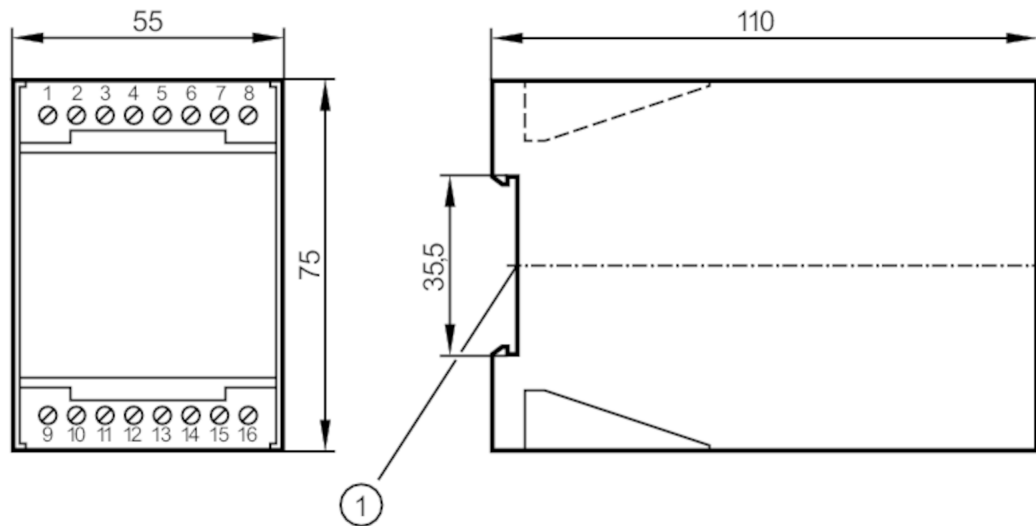


## Control monitor for flow sensors

VS0200/110VAC

Article no longer available - archive entry

replaced by: SN0150



1 mounting on DIN rail



### Application

Application Flow monitoring

### Electrical data

Operating voltage tolerance	[%]	-10...10
Operating voltage	[V]	< 110 AC
Power-on delay time	[s]	30
Number of channels		1

### Outputs

Electrical design	relay
Switching function flow monitoring	relay energised when flow is present

### Software / programming

Adjustment of the switch point	potentiometer
Selection liquids / gases	slide switch

### Operating conditions

Ambient temperature	[°C]	0...60
Protection		IP 40
Protection rating terminals		IP 20

### Mechanical data

Housing	housing for DIN rail mounting	
Dimensions	[mm]	75 x 55 x 110
Materials	plastics	

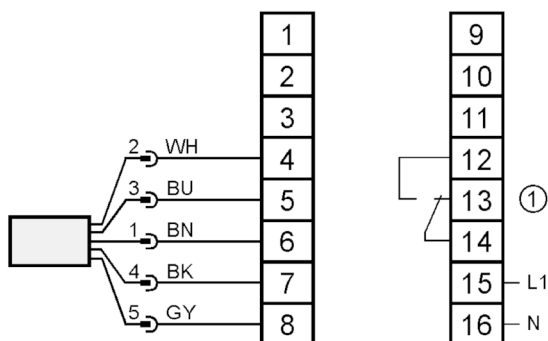
# SY0100



## Control monitor for flow sensors

VS0200/110VAC

Displays / operating elements		
Display	function	11 x LED
Remarks		
Pack quantity	1 pcs.	
Electrical connection		
terminals: 16 x ...2.5 mm <sup>2</sup>		
Connection		



1: Relais Flow monitoring

Core colours :

BN = brown  
BU = blue  
BK = black  
WH = white  
GY = grey

Article no longer available - archive entry

replaced by: SN0150