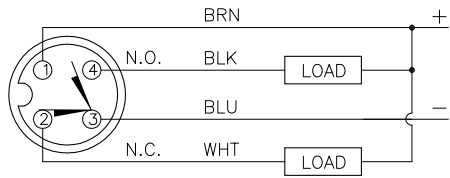


WIRING DIAGRAMS

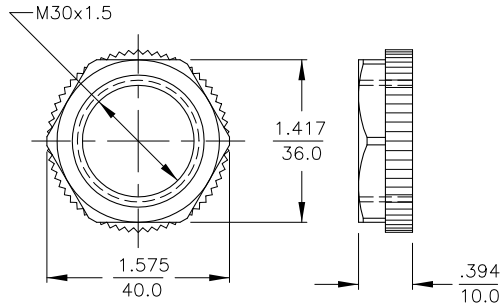
LOCKNUT LN-P30

SPECIFICATIONS

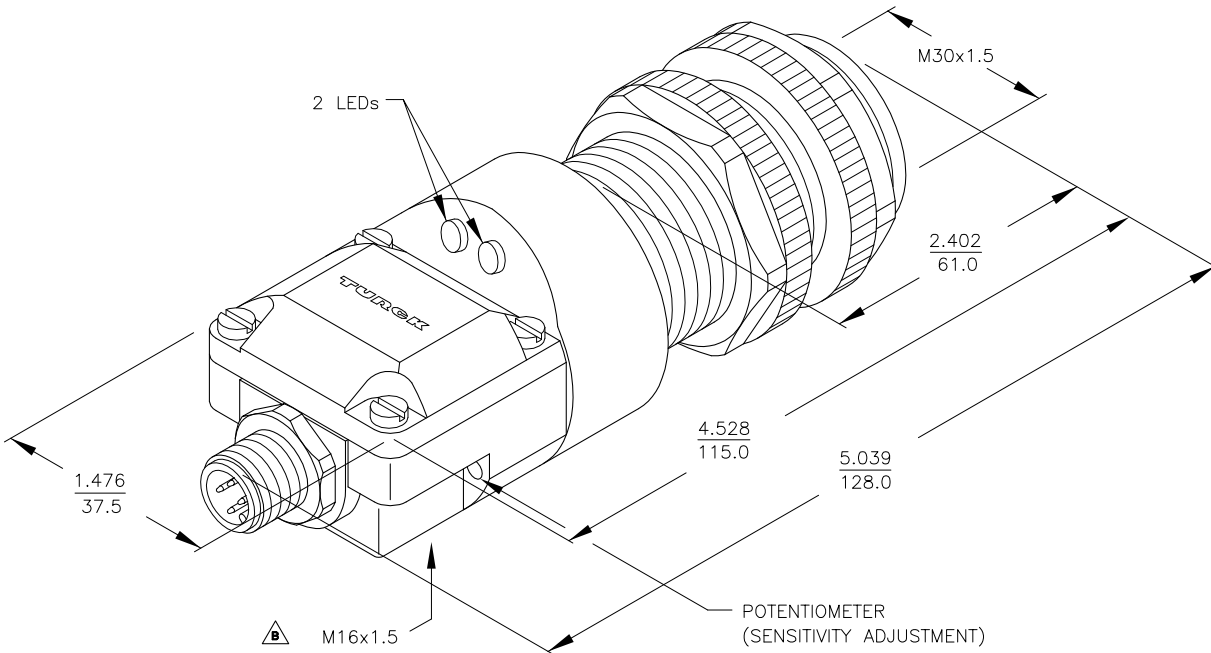


OUTPUT: VN4X2

SHORT-CIRCUIT AND OVERLOAD PROTECTED



OPERATING VOLTAGE	10-65 VDC
RIPPLE	≤10%
DIFFERENTIAL TRAVEL (HYSTERESIS)	2-20% (5% TYPICAL)
VOLTAGE DROP ACROSS CONDUCTING SENSOR	≤1.8 V at 200 mA
OUTPUT FUNCTION	COMPLEMENTARY OUTPUT ONE N.O., ONE N.C. (SPDT)
TTL COMPATIBLE	NO
SHORT-CIRCUIT PROTECTED	YES
TRIGGER CURRENT FOR OVERLOAD PROTECTION	≥220 mA
CONTINUOUS LOAD CURRENT	≤200 mA
LEAKAGE (OFF-STATE) CURRENT	<10μA
NO-LOAD CURRENT	6.0-12.0 mA
TIME DELAY BEFORE AVAILABILITY	≤25 ms
POWER-ON EFFECT PROTECTION	INCORPORATED
REVERSE POLARITY PROTECTION	INCORPORATED
WIRE-BREAK PROTECTION	INCORPORATED
PROTECTION AGAINST TRANSIENTS	2 kV, 1 ms, 1 kΩ
OPERATING TEMPERATURE	-25°C to +70°C (-13°F to +158°F)
ENCLOSURE	MEETS NEMA 1, 3, 4, 6, 13 AND IEC IP67
SHOCK	30 g, 11 ms
VIBRATION	55 Hz, 1 mm AMPLITUDE (IN ALL 3 PLANES)
LED FUNCTION	YELLOW: OUTPUT ENERGIZED GREEN: POWER ON
SENSING RANGE	10 mm = .394" (NOMINAL)
SWITCHING FREQUENCY	100 Hz
REPEATABILITY	≤2% of NOMINAL SENSING RANGE



RELATED DOCUMENTS		3RD ANGLE PROJECTION		THIS DRAWING IS PROPERTY OF TURCK INC. USE OF THIS DOCUMENT WITHOUT WRITTEN PERMISSION IS PROHIBITED.		 High Technology Sensors and Automation Controls		3000 CAMPUS DRIVE MINNEAPOLIS, MN 55441 1-800-544-7769 (763) 553-7300 (763) 553-0708 fax turck.com	
1. 2. 3. 4.				DRFT RJP	DATE 10/7/93	DESCRIPTION BC10-P30SR-VN4X2/H1141			
MATERIAL ABS, PLASTIC BARREL PLASTIC HOUSING		ALL DIMENSIONS DISPLAYED ON THIS DRAWING ARE FOR REFERENCE ONLY		DSGN	SCALE NONE	IDENTIFICATION NO. M2505192		REV B	
FINISH		CONTACT TURCK FOR MORE INFORMATION		UNIT OF MEASUREMENT INCH [MILLIMETER]		FILE: M2505192		SHEET 1 OF 1	
B	UPDATE THREADED PORT TO M16X1.5	RDS	12/23/04	12105					
REV	DESCRIPTION	BY	DATE	ECO NO.					

B	UPDATE THREADED PORT TO M16X1.5	RDS	12/23/04	12105
REV	DESCRIPTION	BY	DATE	ECO NO.