



WT32-R230

**SICK**  
Sensor Intelligence.



Illustration may differ



## Ordering information

Type	Part no.
WT32-R230	1007413

Other models and accessories → [www.sick.com/](http://www.sick.com/)

## Detailed technical data

### Features

<b>Sensor/ detection principle</b>	Photoelectric proximity sensor, Energetic
<b>Dimensions (W x H x D)</b>	36 mm x 85 mm x 72 mm
<b>Housing design (light emission)</b>	Rectangular
<b>Sensing range max.</b>	100 mm ... 2,000 mm <sup>1)</sup>
<b>Sensing range</b>	100 mm ... 2,000 mm <sup>1)</sup>
<b>Type of light</b>	Visible red light
<b>Light source</b>	LED
<b>Adjustment</b>	Potentiometer

<sup>1)</sup> Object with 90 % reflectance (referred to standard white, DIN 5033).

### Mechanics/electronics

<b>Supply voltage</b>	24 V DC ... 240 V DC
<b>Power consumption</b>	40 mA <sup>1)</sup>
<b>Power consumption</b>	≤ 2 VA
<b>Switching mode</b>	Light/dark switching
<b>Response time</b>	≤ 20 ms <sup>2)</sup>
<b>Connection type</b>	Terminal, PG11
<b>Housing material</b>	Plastic, Glassfibre reinforced plastic
<b>Optics material</b>	Plastic, PMMA
<b>Enclosure rating</b>	IP67
<b>Ambient operating temperature</b>	-25 °C ... +55 °C
<b>Ambient storage temperature</b>	-40 °C ... +70 °C

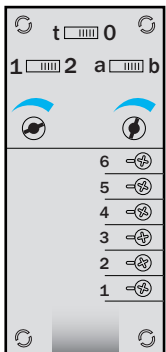
<sup>1)</sup> Without load.

<sup>2)</sup> Signal transit time with resistive load.

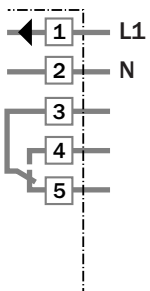
Classifications

<b>ECl@ss 5.0</b>	27270904
<b>ECl@ss 5.1.4</b>	27270904
<b>ECl@ss 6.0</b>	27270904
<b>ECl@ss 6.2</b>	27270904
<b>ECl@ss 7.0</b>	27270904
<b>ECl@ss 8.0</b>	27270904
<b>ECl@ss 8.1</b>	27270904
<b>ECl@ss 9.0</b>	27270904
<b>ETIM 5.0</b>	EC002719
<b>ETIM 6.0</b>	EC002719
<b>UNSPSC 16.0901</b>	39121528

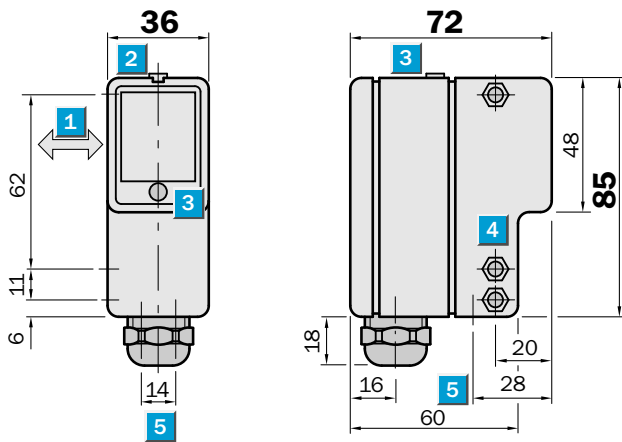
Adjustments possible



Connection diagram



Dimensional drawing (Dimensions in mm (inch))



- ① Standard direction of the material being detected
- ② Alignment sight
- ③ Function indicator
- ④ Fixing hole, bore on both sides for M5 hexagon nut
- ⑤ M5 threaded mounting hole, 5.5 mm deep

## SICK AT A GLANCE

SICK is one of the leading manufacturers of intelligent sensors and sensor solutions for industrial applications. A unique range of products and services creates the perfect basis for controlling processes securely and efficiently, protecting individuals from accidents and preventing damage to the environment.

We have extensive experience in a wide range of industries and understand their processes and requirements. With intelligent sensors, we can deliver exactly what our customers need. In application centers in Europe, Asia and North America, system solutions are tested and optimized in accordance with customer specifications. All this makes us a reliable supplier and development partner.

Comprehensive services complete our offering: SICK LifeTime Services provide support throughout the machine life cycle and ensure safety and productivity.

For us, that is “Sensor Intelligence.”

## WORLDWIDE PRESENCE:

Contacts and other locations –[www.sick.com](http://www.sick.com)