

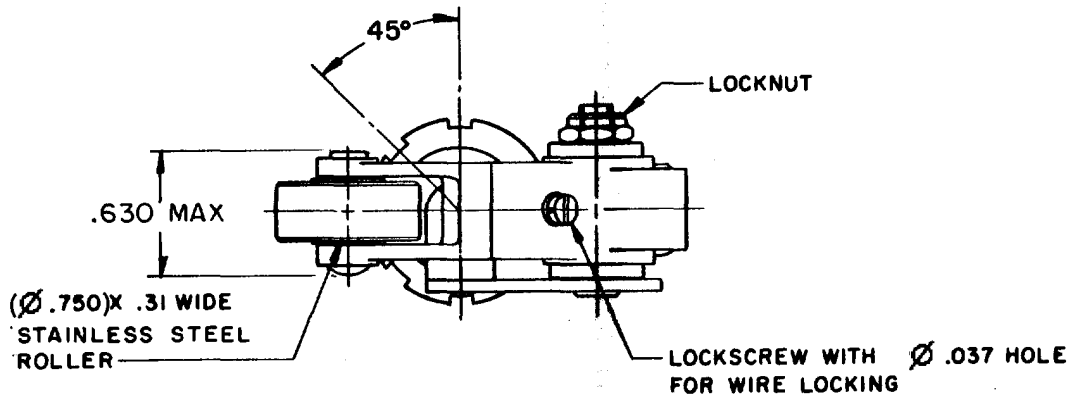


MICRO SWITCH
FREEPORT, ILLINOIS, U.S.A.
A DIVISION OF HONEYWELL

FED. MFG. CODE 91929

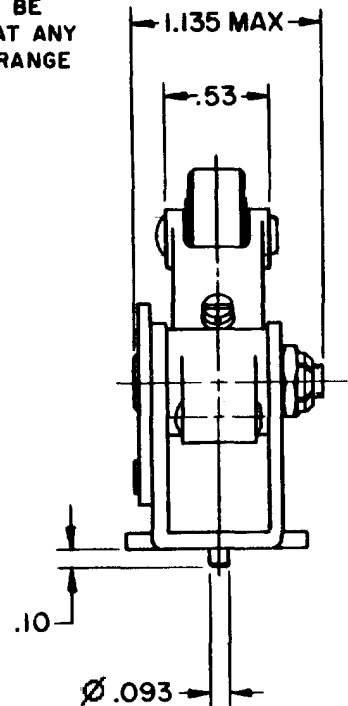
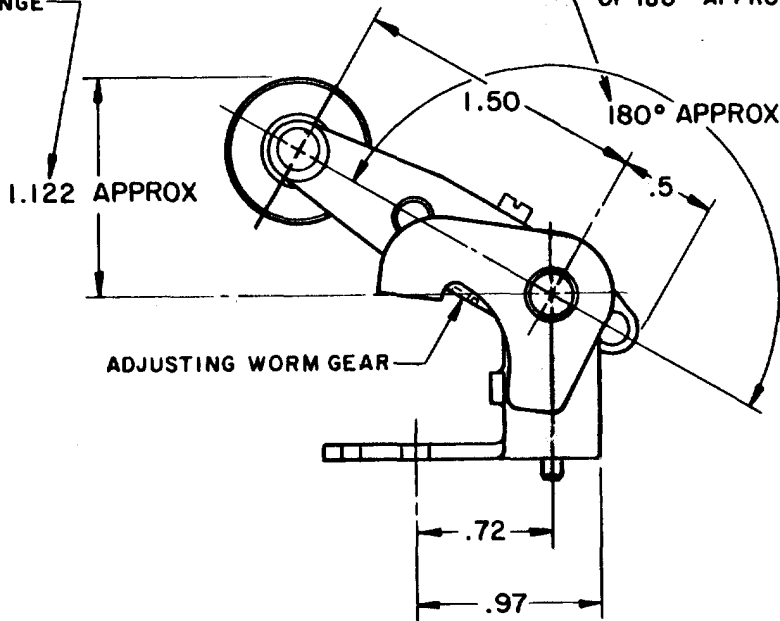
PACKET

CATALOG LISTING
6PA341



ROLLER LEVER IS SHOWN IN ITS FREE POSITION AT ONE EXTREME OF ITS ADJUSTABLE RANGE

ROLLER LEVER MAY BE POSITIVELY LOCKED AT ANY POSITION WITHIN A RANGE OF 180° APPROX



NOTE -

- 1 - UNIT DESIGNED TO WITHSTAND TEMPERATURE OF 600° F
- 2 - REPLACEMENT ARM IS PART NO. 6PA358
- 3- 1X LOCKWASHER, 1X HEX NUT, AND 7X PLAIN WASHER FURNISHED UNASSEMBLED

ANSI Y14.5M-1982 APPLIES

THIS DRAWING COVERS A PROPRIETARY ITEM AND IS THE PROPERTY OF MICRO SWITCH, A DIVISION OF HONEYWELL. THIS DRAWING IS NOT TO BE COPIED OR USED WITHOUT THE APPROVAL OF MICRO SWITCH.

CHARACTERISTICS

ELECTRICAL DATA

SCALE

CONTACT ARRANGEMENT

DO NOT SCALE PRINT

UNLESS OTHERWISE NOTED

DIMENSIONS ARE IN INCHES

TOLERANCES ARE:

ONE PLACE	(.0)	±.030
TWO PLACE	(.00)	±.015
THREE PLACE	(.000)	±.005
ANGLES		± 5°

WEIGHT

6PA341

M

DRAWING NUMBER

8

7

ISSUE

7

CHECK

REVISIONS

A

SR12605

0 MW

13 DEC 66

B

CO22377

M B F

12 JAN 67

C

CO26688

M B S

12 JAN 70

D

CO95373

JAH

13 JUL 99

CHECK

9 DEC 66

CHECK

66

DEC

9

DEC

90376

REPLACES

SR 12605

ETS

RELEASE NO.

CHECK

66

DEC

66

DEC

66

DEC

66

DEC

66

DRAWN