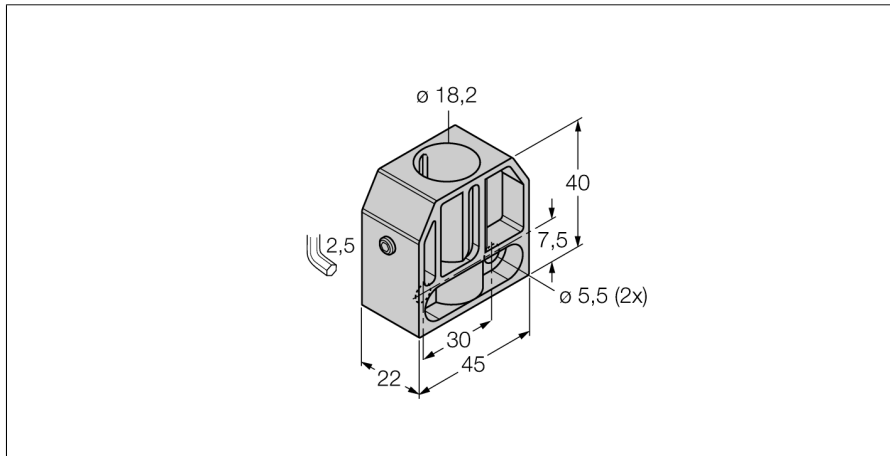


Accessories

Mounting Clamp

BS 18



- Fixing clamp M18 x 1
- Plastic: PA6

Type designation	BS 18
Ident no.	69471
Design	Accessories for threaded barrel, M18
Dimensions	40 mm
Housing material	Plastic, PA6