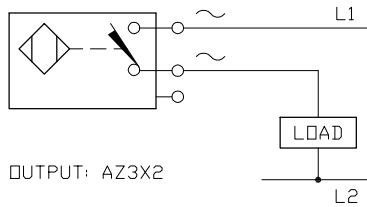


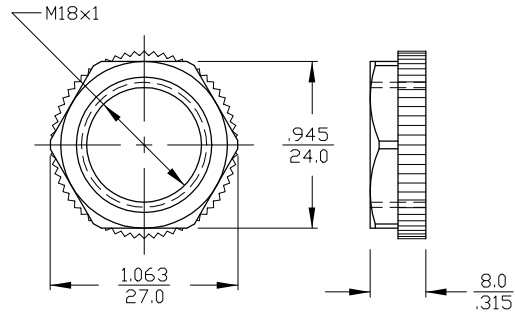
WIRING DIAGRAMS



OUTPUT: AZ3X2

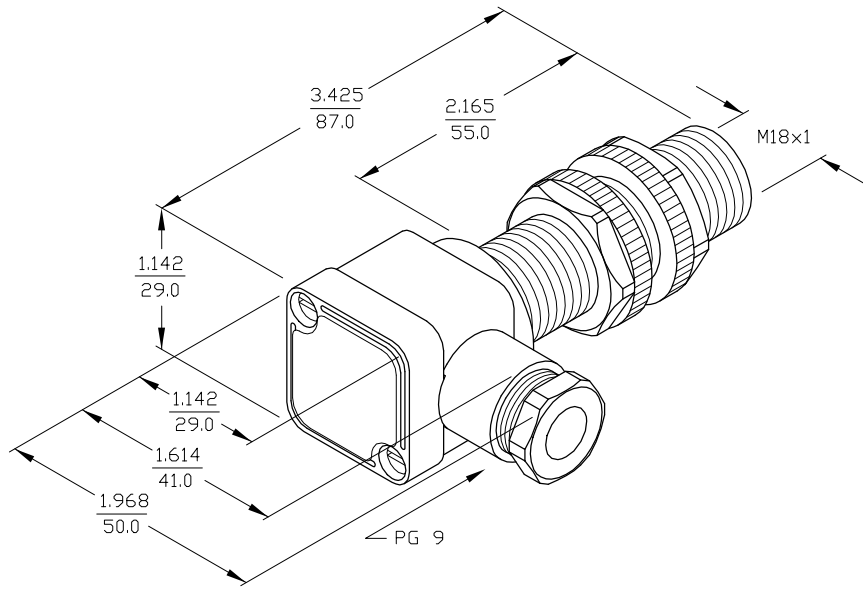
WARNING: NO SHORT-CIRCUIT PROTECTION.
ALWAYS WIRE A LOAD IN SERIES WITH THE SENSOR.

LOCKNUT LN-P18



SPECIFICATIONS

OPERATING VOLTAGE	20-250 VAC
LINE FREQUENCY	40-60 Hz
DIFFERENTIAL TRAVEL (HYSTERESIS)	3-15% (5% TYPICAL)
VOLTAGE DROP ACROSS CONDUCTING SENSOR	≤ 7.0 V at 500 mA
OUTPUT FUNCTION -AZ	NORMALLY OPEN 2-WIRE AC SELF-CONTAINED
SHORT-CIRCUIT PROTECTED	NO
CONTINUOUS LOAD CURRENT	≤ 500 mA
LEAKAGE (OFF-STATE) CURRENT	≤ 1.7 mA
MINIMUM LOAD CURRENT	≥ 5.0 mA
INRUSH CURRENT	≤ 8.0 A (≤10 ms/5 Hz)
POWER-ON EFFECT PROTECTION	INCORPORATED
TIME DELAY BEFORE AVAILABILITY	≤ 25 ms
PROTECTION AGAINST TRANSIENTS	2 kV, 1 ms, 1 kΩ
OPERATING TEMPERATURE	-25°C to +70°C (-13°F to +158°F)
ENCLOSURE	MEETS NEMA 1, 3, 4, 6, 13 AND IEC IP67
SHOCK	30 g, 11 ms
VIBRATION	55 Hz, 1 mm AMPLITUDE (IN ALL 3 PLANES)
LED FUNCTION	GREEN: POWER ON RED: OUTPUT ENERGIZED
SENSING RANGE	5 mm = .197" (NOMINAL)
SWITCHING FREQUENCY	20 Hz
REPEATABILITY	≤ 2% of NOMINAL SENSING RANGE
SHIELDED	YES



MATERIAL PA 12-GF30 PLASTIC BARREL		3RD ANGLE PROJECTION				TURCK INC 3000 CAMPUS DRIVE MINNEAPOLIS, MN 55441 PHONE: (612) 553-9224	
FINISH							
DRWN GMB	DATE 9/28/88	PART NO. Bi5-P18SK-AZ3X2 55MM					
CHKD	DATE						
TMI		SIZE B	ID NO. 4351400	REV A			
DIMENSIONS ARE IN INCHES mm		SCALE NONE	BPTC-A\4351400	SHEET ___ OF ___			

A	SEE REVISION DOCUMENT P18SK-AZ	SWC	6/22/93	
REV	DESCRIPTION	DRFT	DATE	CHKD
REVISIONS				