

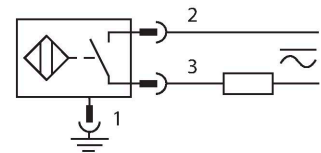
BI2-CRS260-ADZ40X2-B1131/S34

Inductive sensor – for high pressures

Features

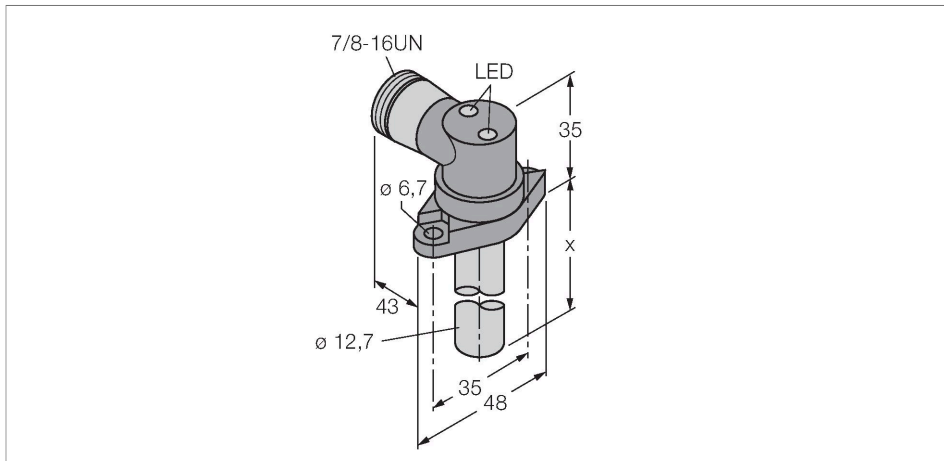
- Smooth barrel, chrome-plated brass
- Ø 12.7 mm
- Housing, GD-Zn chromated
- Admissible pressure static/dynamic 200/100 bar
- Magnetic field immune (insensitive to magnetic DC and AC fields)
- AC 2-wire, 20... 140 VAC
- DC 2-wire, 20... 140 VDC
- NO contact
- 7/8" connector

Wiring diagram



Functional principle

Inductive sensors detect metal objects contactless and wear-free. For this, they use a high-frequency electromagnetic AC field that interacts with the target. Inductive sensors generate this field via an RLC circuit with a ferrite coil.



Technical data

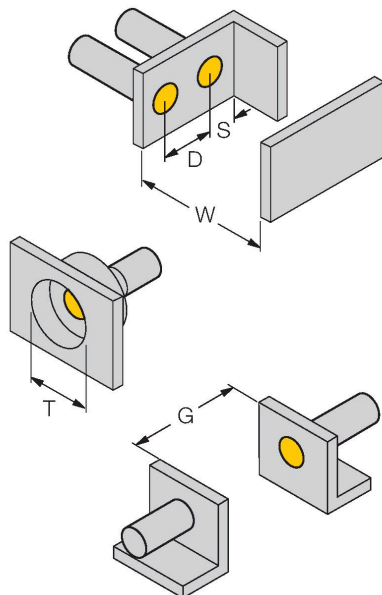
Type	BI2-CRS260-ADZ40X2-B1131/S34
Ident. no.	4270590
Special version	S34 = Weld-field immune proximity sensors
Rated switching distance	2 mm
Mounting conditions	Flush
Secured operating distance	≤ (0,81 x Sn) mm
Correction factors	St37 = 1; Al = 0.3; stainless steel = 0.7; Ms = 0.4
Repeat accuracy	≤ 2 % of full scale
Static pressure	≤ 200 bar
Dynamic pressure	≤ 100 bar
Admissible contact medium	electrically conductive
Temperature drift	≤ ± 10 %
Hysteresis	3...15 %
Ambient temperature	-25...+70 °C
Operating voltage	20... 140 VAC
Operating voltage	20... 140 VDC
AC rated operational current	≤ 400 mA
DC rated operational current	≤ 400 mA
Frequency	≥ 50... ≤ 60 Hz
Residual current	≤ 5 mA
Isolation test voltage	≤ 1.5 kV
Surge current	≤ 2.4 A (≤ 20 ms max. 5 Hz)
Short-circuit protection	yes / Latching
Voltage drop at	≤ 5 V

Technical data

Wire breakage/Reverse polarity protection	yes / Complete
Output function	2-wire, NO contact
Smallest operating current	≥ 3 mA
Switching frequency	0.02 kHz
Design	Smooth barrel, 12.7 mm
Probe length	26 mm, probe length x
Housing material	Metal, 1.4305 (AISI303)
Active area material	Plastic, PA12-GF30
Connector housing	metal, GdZn, chromated
Tightening torque fixing screw	7.3 Nm
Electrical connection	Connector, 7/8"
Vibration resistance	55 Hz (1 mm)
Shock resistance	30 g (11 ms)
Protection class	IP67
Power-on indication	LED, Green
Switching state	LED, Red
Included in delivery	2 x socket head screw 1/4"-20 NPT, 5/8" long

Mounting instructions

Mounting instructions/Description



Distance D	2 x B
Distance W	3 x Sn
Distance T	3 x B
Distance S	1.5 x B
Distance G	6 x Sn
Diameter active area	Ø 12.7 mm
B	

The mounting receptacle and the O-ring supplied with the sensor are approved for high static and dynamic pressure. To ensure that the application is pressure-resistant, the mounting surface must also be designed accordingly.

Ensure that the mounting surface is dry and free of dust during installation. Please also consider that oil can be displaced from the hydraulic system when the sensor probe is introduced, in which case the mounting surface will be moistened. Should this occur, a proper seal will not be established.

Recommended clearances:

0.64...1.19 mm to the hydraulic cylinder end position buffers being detected to allow for tolerances and wear.

>2.8 mm to the hydraulic cylinder piston rod to ensure that the sensor output switches off.