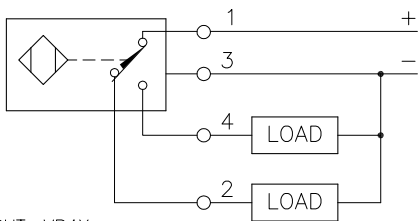
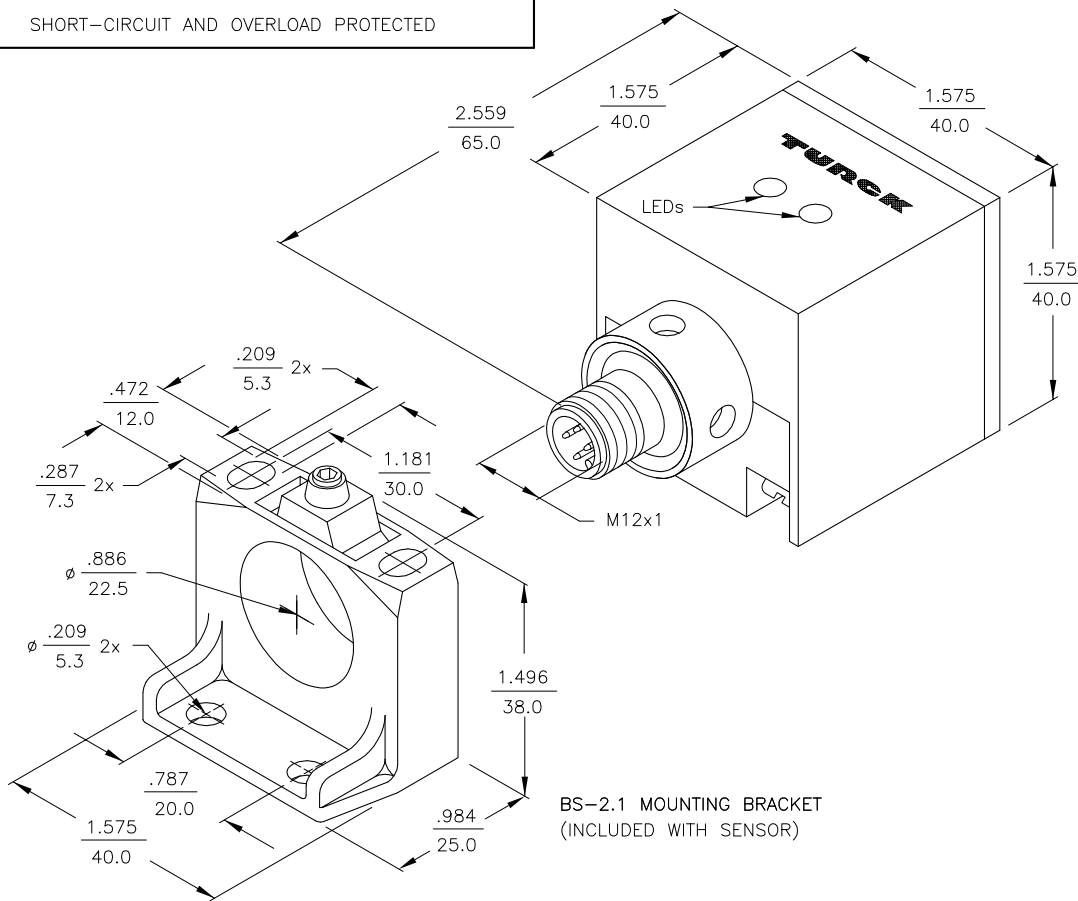


WIRING DIAGRAM



OUTPUT: VP4X

SHORT-CIRCUIT AND OVERLOAD PROTECTED



BS-2.1 MOUNTING BRACKET
(INCLUDED WITH SENSOR)

SPECIFICATIONS

OPERATING VOLTAGE	10-65 VDC
RIPPLE	≤ 10% MAX.
HYSTERESIS (DIFFERENTIAL TRAVEL)	3-15% (5% TYPICAL)
VOLTAGE DROP ACROSS CONDUCTING SENSOR	≤ 1.8 V at 200 mA
OUTPUT FUNCTION	COMPLEMENTARY OUTPUT ONE N.O., ONE N.C. (SPDT)
TTL COMPATIBLE	NO
SHORT-CIRCUIT PROTECTED	YES
TRIGGER CURRENT FOR OVERLOAD PROTECTION	≥ 220 mA
CONTINUOUS LOAD CURRENT	≤ 200 mA
LEAKAGE (OFF-STATE) CURRENT	< 10µ A
NO-LOAD CURRENT	4.0-9.5 mA
TIME DELAY BEFORE AVAILABILITY	≤ 25 ms
POWER-ON EFFECT PROTECTION	INCORPORATED
POLARITY INVERSION PROTECTION	INCORPORATED
WIRE-BREAK PROTECTION	INCORPORATED
PROTECTION AGAINST TRANSIENTS	2 kV, 1ms, 1 kΩ
OPERATING TEMPERATURE	-25°C to +70°C (-13°F to +158°F)
ENCLOSURE	MEETS NEMA 1, 3, 4, 6, 13 AND IEC IP67
SHOCK	30 g, 11 ms
VIBRATION	55 Hz, 1 mm AMPLITUDE (IN ALL 3 PLANES)
LED FUNCTION	YELLOW: OUTPUT ENERGIZED GREEN: POWER ON
SENSING RANGE	15 mm = .591" (NOMINAL)
SWITCHING FREQUENCY	150 Hz
REPEATABILITY	≤ 2% of NOMINAL SENSING RANGE
SHIELDED	YES

NOTES:

1. SENSING HEAD TURNS TO ACCOMODATE 5 DIFFERENT SENSING POSITIONS.

RELATED DOCUMENTS 1. 2. 3. 4.	3RD ANGLE PROJECTION 	THIS DRAWING IS PROPERTY OF TURCK INC. USE OF THIS DOCUMENT WITHOUT WRITTEN PERMISSION IS PROHIBITED.		3000 CAMPUS DRIVE MINNEAPOLIS, MN 55441 1-800-544-7769 (763) 553-7300 (763) 553-0708 fax turck.com	
	MATERIAL PBT-GF30-VO PLASTIC	DRFT RJP	DATE 11/18/92	DESCRIPTION Bi15-CK40-VP4X2-H1141	
FINISH	ALL DIMENSIONS DISPLAYED ON THIS DRAWING ARE FOR REFERENCE ONLY	DSGN	SCALE NONE	IDENTIFICATION NO. M1550091	
CONTACT TURCK FOR MORE INFORMATION		UNIT OF MEASUREMENT INCH [MILLIMETER]		REV B	FILE: M1550091
DO NOT SCALE THIS DRAWING		SHEET 1 OF 1		RDS 07/17/02 5504	
B	UPDATE TO CURRENT TITLEBLOCK	BY	DATE	ECO NO.	

B	UPDATE TO CURRENT TITLEBLOCK	RDS	07/17/02	5504
REV	DESCRIPTION	BY	DATE	ECO NO.