

MICRO SWITCH

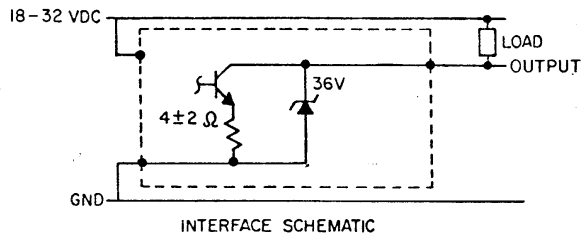
FREEDPORT ILLINOIS U.S.A.
A DIVISION OF HONEYWELL

FED. MFG. CODE 91229

**INTEGRAL
PROXIMITY SWITCH**

CATALOG LISTING
112FW12-4

THIS DRAWING COVERS A PROPRIETARY ITEM AND IS THE PROPERTY OF MICRO SWITCH A DIVISION OF HONEYWELL THIS DRAWING IS NOT TO BE COPIED OR USED WITHOUT THE APPROVAL OF MICRO SWITCH.



ELECTRICAL PARAMETERS

INPUT

VOLTAGE: 18-32 VDC, MIL STD 704

CURRENT: 20 MA MAX

OUTPUT

TYPE: CURRENT SINK, SPNO, LOAD SHORT PROTECTED ⚠

LEAKAGE CURRENT: 10 MICROAMPS MAX

STEADY STATE RATINGS:

RESISTIVE: 120 MILLIAMPS MAX

INDUCTIVE: 120 MILLIAMPS MAX

LAMP: 50 MILLIAMPS MAX

LOAD VOLTAGE: 32 VDC MAX

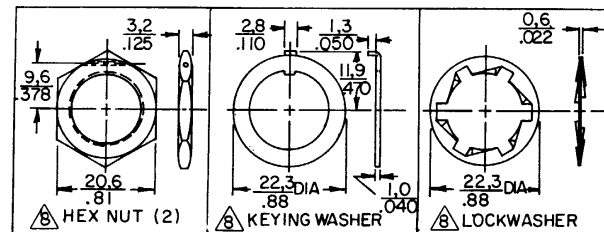
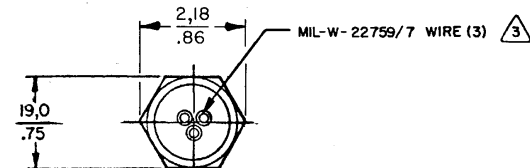
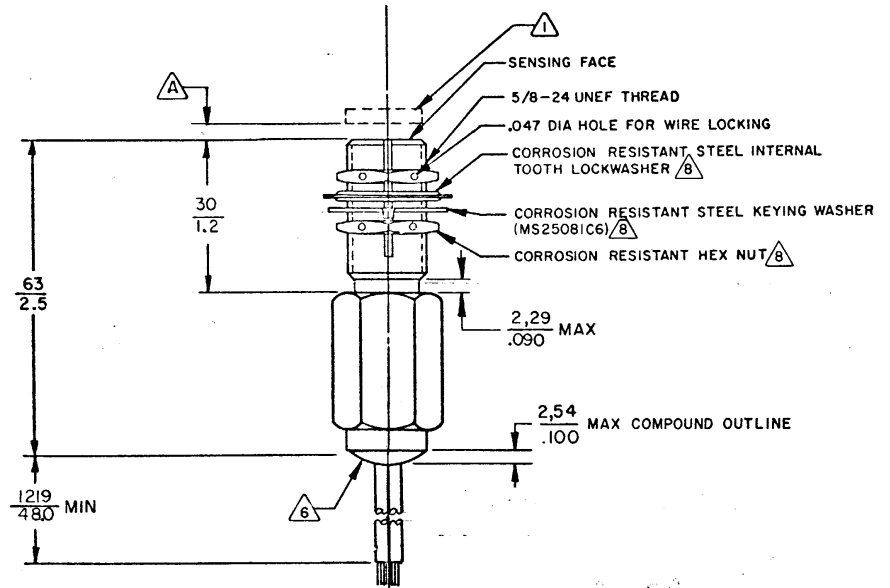
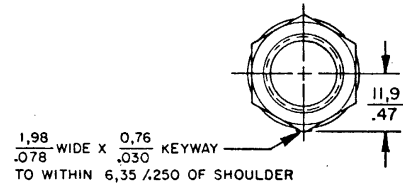
SATURATION VOLTAGE: 1.0 VDC MAX

⚠ OPERATE POINT (WITH STANDARD ACTUATOR): $2,41 \pm 0,51$
 $.095 \pm .020$

DIFFERENTIAL TRAVEL ----- $0,13$
 $.005$ MAX

NOTES:

- 1 - STANDARD ACTUATOR $\frac{15,87}{.625}$ DIA X $\frac{1,57}{.062}$ THICK SAE 1020 STEEL
- 2 - HOUSING MATERIAL, 300 SERIES STAINLESS STEEL
- 3 - "18-32 VDC", SUPPLY VOLTAGE; "NEG", SUPPLY RETURN; "OUTPUT", LOAD
- 4 - TEMPERATURE RANGE -65°F TO 257°F
- 5 - SWITCH WILL NOT BE DAMAGED IF OUTPUT TERMINAL IS MISCONNECTED TO +28 VDC OR NEG FOR 30 MIN
- 6 - WIRES POTTED IN SKYDROL RESISTANT MATERIAL
- 7 - MTBF: GREATER THAN 100,000 HOURS
- 8 - FURNISHED UNASSEMBLED
- 9 - REPLACEMENT HARDWARE CAN BE OBTAINED BY ORDERING HARDWARE PACKET 19PA13



SCALE FULL	
DO NOT SCALE PRINT	
UNLESS OTHERWISE NOTED	
TOLERANCES ARE:	
ONE PLACE	(.01) (millimetre / inch)
TWO PLACE	(.001) ± 0.87 / .030
THREE PLACE	(.0001) ± 0.387 / .015
ANGLES	±
WEIGHT 3.5 OZ MAX	

M 112FW12-4

DRAWING NUMBER

X 2

X 10

X 20

X 40

X 80

X 160

REVISIONS

A CO34189

K P X

18 SEP 76

B CO34877

J A

11 FEB 75

C CO35489

GLT

2 JUN 75

D CO35799

H

19 AUG 75

E CO36060

R E R

5 NOV 75

F CO36800

K S W

24 MAR 76

G CO37253

J A

23 JUN 76

H CO38633-B

GLT

20 SEPT 77

REPLACES

RELEASE NO. PR-4049

CHECK

CHECK

CHECK

CHECK

CHECK

CHECK

CHECK

CHECK

CHECK