

MICRO SWITCH

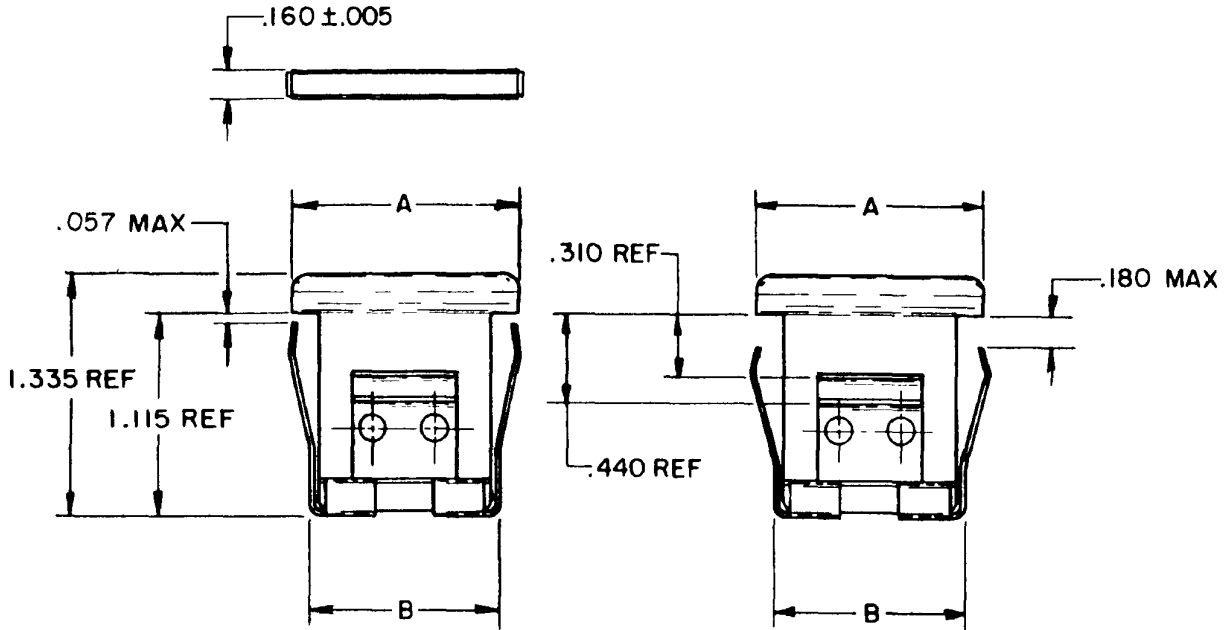
FREEPORT ILLINOIS U S A
A DIVISION OF HONEYWELL

FED. MFG CODE 91929

MOUNTING BARRIERS

CATALOG LISTING
2B SERIES CHART 1

THIS DRAWING COVERS A PROPRIETARY ITEM AND IS THE PROPERTY OF MICRO SWITCH, A DIVISION OF HONEYWELL. THIS DRAWING IS NOT TO BE COPIED OR USED WITHOUT THE APPROVAL OF MICRO SWITCH.



TYPE 1

FOR PANEL .06-.19
THICKNESS

TYPE 2

FOR PANEL .19-.31
THICKNESS

CATALOG LISTING
M 2B SERIES CHART 1
 PAGE 1 OF 1
 DRAWING NUMBER
 ISSUE 7
 RELEASE NO. CO 13769 (PR)
 REPLACES
 6118

REVISIONS

A	CO-82436 JALA 7 FEB 96
B	CO-83029 CSL 29 AUG 96
C	CO-93124 G J W 11 SEP 98
D	CO-95794 CSL 28 JAN 00
E	201724 G J W 14 NOV 00

CHECK

CHECK

CHECK

CHECK

CHECK

CHECK

CHECK

CHECK

CHECK

CHECK

CHECK

CATALOG LISTINGS

MOUNTING

COLOR	SHORT - BARRIER		LONG - BARRIER	
	A = 1.010 ± .030 B = .810 MAX		A = 1.250 ± .030 B = 1.050 MAX	
	TYPE 1	TYPE 2	TYPE 1	TYPE 2
GRAY	2 B 1	2 B 5	2 B 2	(D)
BLACK	2 B 3	2 B 7	2 B 4	2 B 8
WHITE	2 B 10	2 B 12	(E)	(B)
RED	2 B 11	(C)	(D)	(A)
BLUE	(A)	(A)	(A)	(A)
BROWN			(A)	(A)
LIGHT BEIGE		(A)		
GREEN	2 B 48		(A)	
GRAY		(A)		
GREENISH - BLUE	(A)			
BLUE	(C)			

DRAWN
 R E R 19 SEP 67
 L S D 19 SEP 67
 67 CHECK