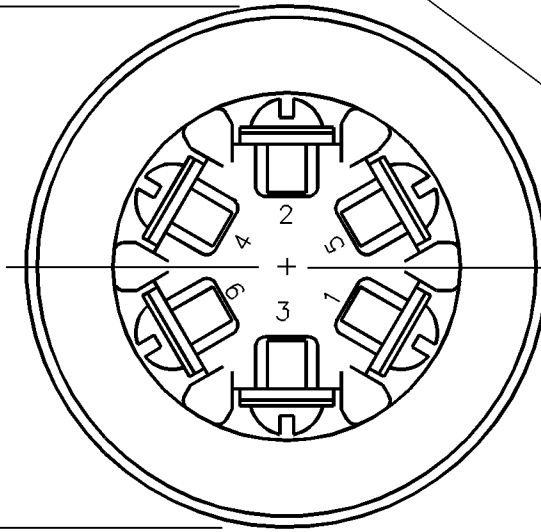
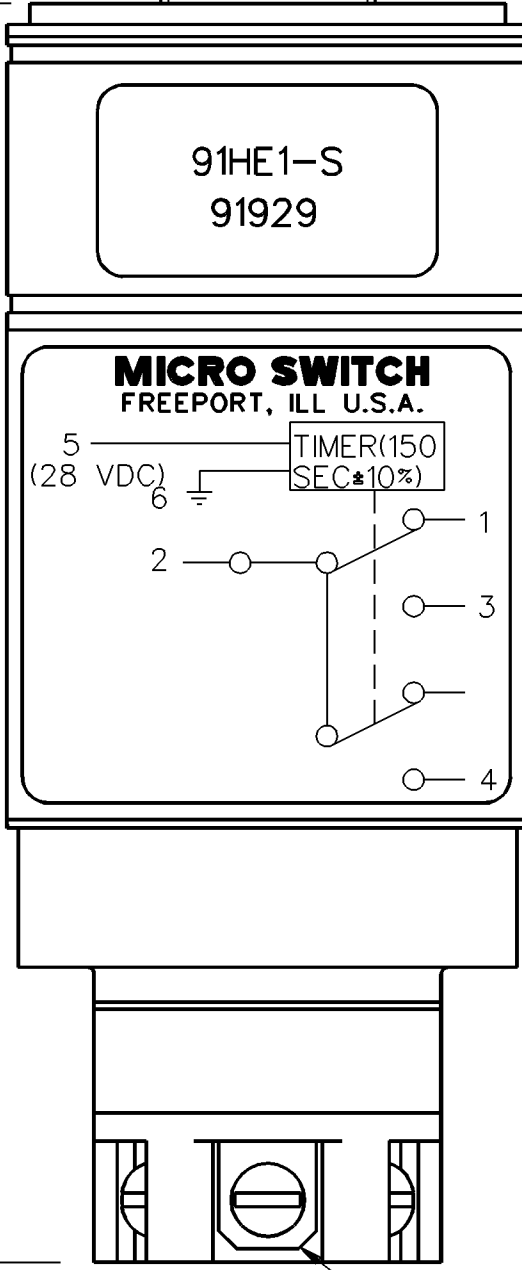
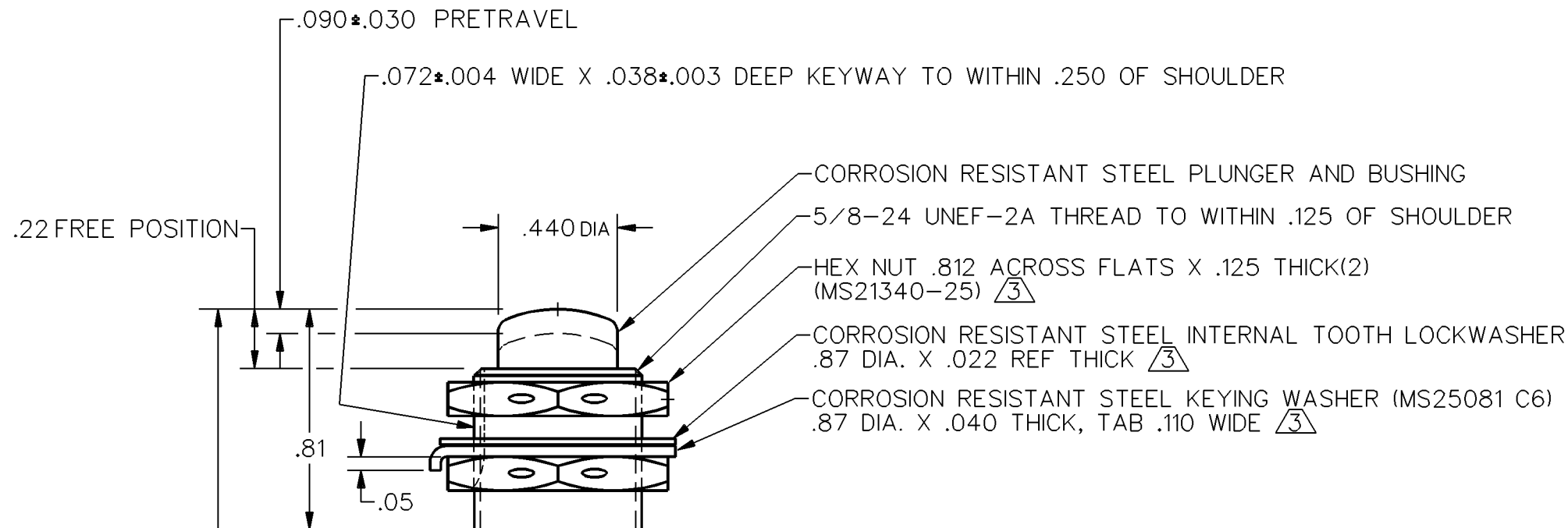
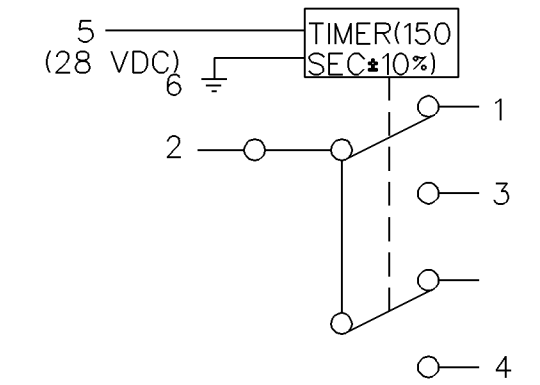


91HE1-S  
 DRAWING NUMBER  
 M  
 ISSUE 5  
 REVISIONS  
 A PR18032  
 5 APR 90  
 B CO67573  
 B NOV 90  
 B CO69171  
 B NOV 90  
 C CO-70037  
 9 APR 91  
 DDM/CAD  
 DRAWN  
 N W J 20 NOV 89 CHECK



4-48 UNF X .188 REF LONG ROUND HD TERMINAL SCREW AND (MS 35333-104) LOCKWASHER (6)



CIRCUIT DIAGRAM (MECHANICALLY MAINTAINED POSITION)

- NOTES:  
 1 ENCLOSURE FINISHED WITH BLUE EPOXY BASED ENAMEL COLOR NO. 15193 PER FED STD 595  
 2 SWITCH SEALED PER MIL-S-8805 SYMBOL 5  
 3 HARDWARE MAY BE PACKAGED UNASSEMBLED PER MIL-S-8805  
 4 CIRCUIT DIAGRAM AND CATALOG LISTING ARE SHOWN ON NAMEPLATE  
 5 FOR OPERATION IN TEMPERATURES OF MINUS 67° F TO PLUS 185° F  
 6 ELECTRICAL LIFE BASED UPON 25,000 OPERATIONS  
 7 COINCIDENCE OF OPERATING POINT .010 INCH OF PLUNGER TRAVEL

CHARACTERISTICS		ELECTRICAL DATA	
OPERATING FORCE	2-5LB	28VDC $\Delta$ 6	
FULL OVERTRAVEL FORCE	10LB MAX	LOAD	SEA LEVEL 100,000 FT.
OVERTRAVEL	.05 MIN	RES	10 10
		IND	3 3

THIS DRAWING COVERS A PROPRIETARY ITEM AND IS THE PROPERTY OF MICRO SWITCH, A DIVISION OF HONEYWELL. THIS DRAWING IS NOT TO BE COPIED OR USED WITHOUT THE APPROVAL OF MICRO SWITCH.

**MICRO SWITCH** TIME DELAY SWITCH ASSEMBLY  
 a Honeywell Division  
 CATALOG LISTING  
**91HE1-S**  
 FED. MFG. CODE 91929

THIRD ANGLE PROJECTION

SCALE 2:1

DO NOT SCALE PRINT

UNLESS OTHERWISE SPECIFIED TOLERANCES ARE

ONE PLACE	(.0)	±.030
TWO PLACES	(.00)	±.015
THREE PLACES	(.000)	±.005
ANGLES		±

WEIGHT 10 OZ MAX