

**MICRO SWITCH**

A DIVISION OF MILWAUKEE HONEYWELL REGULATOR COMPANY  
FREEPORT, ILLINOIS

FED. MFR. CODE 91929

**SWITCH - ENCLOSED**

CATALOG LISTING  
**51ML2**

THIS DRAWING COVERS A PROPRIETARY ITEM AND IS THE PROPERTY OF MICRO SWITCH, A DIVISION OF HONEYWELL. THIS DRAWING IS NOT TO BE COPIED OR USED WITHOUT THE APPROVAL OF MICRO SWITCH.



(M) 51ML2  
ISSUE 3

51ML2

M

DRAWING NUMBER

10

ISSUE

6

REVISIONS

A

C011247

O. M. W.

11 MAR 58

B

C012789

M. B. F.

14 MAY 58

C

C022643

D. W. C.

21 MAR 67

D

C026064

M. B. S.

25 JUNE 69

E

C052194

G. J. W.

22 SEP 83

F

C055051-B

J. A. P.

14 DEC 84

G

C074287

G. J. W.

15 APR 93

REPLACES

RELEASE NO.

CHECK

31 MAR 58

CHECK

31 MAR 58

CHECK

31 MAR 58

CHECK

31 MAR 58

CHECK

31 MAR 58

CHECK

31 MAR 58

CHECK

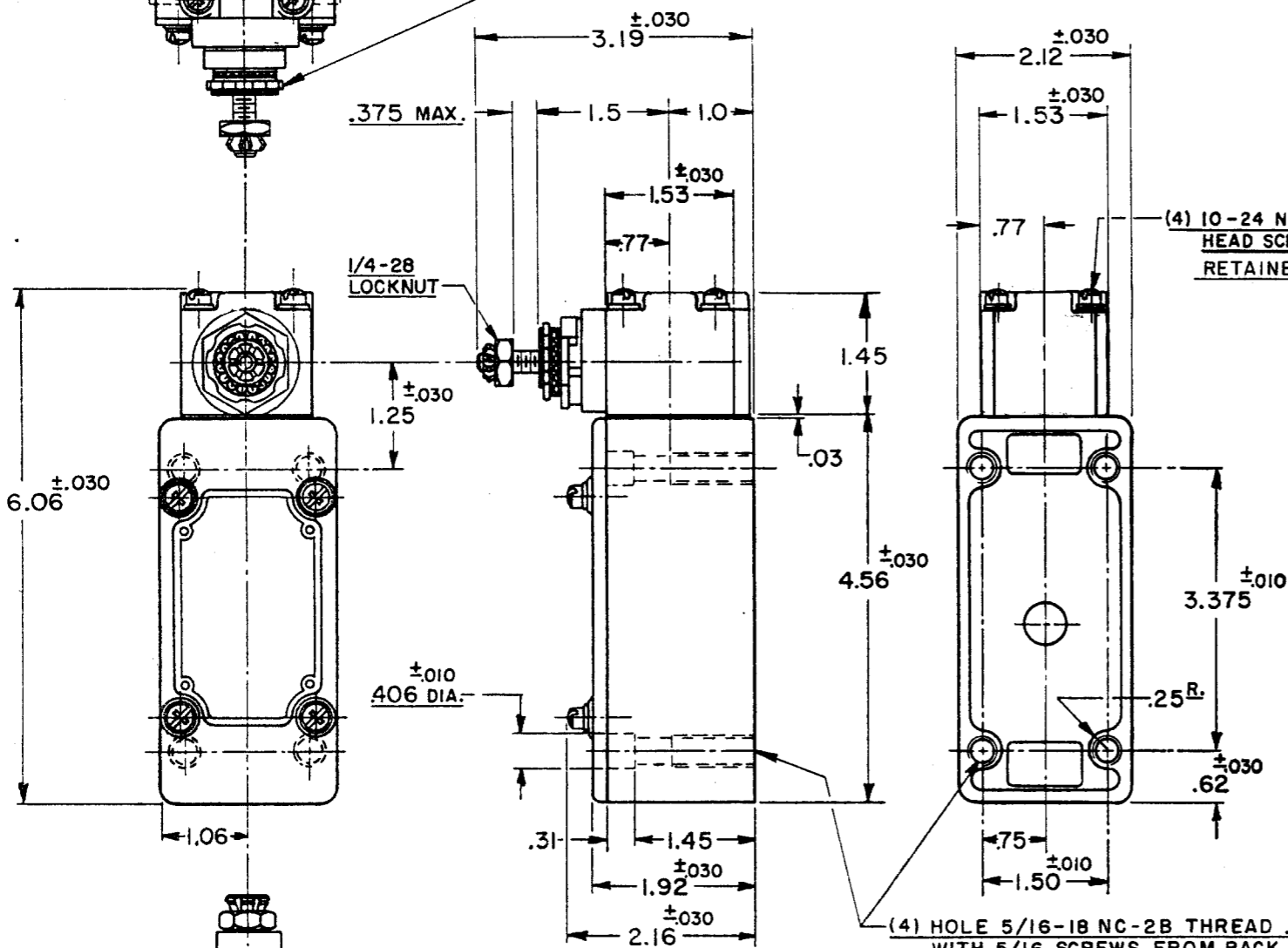
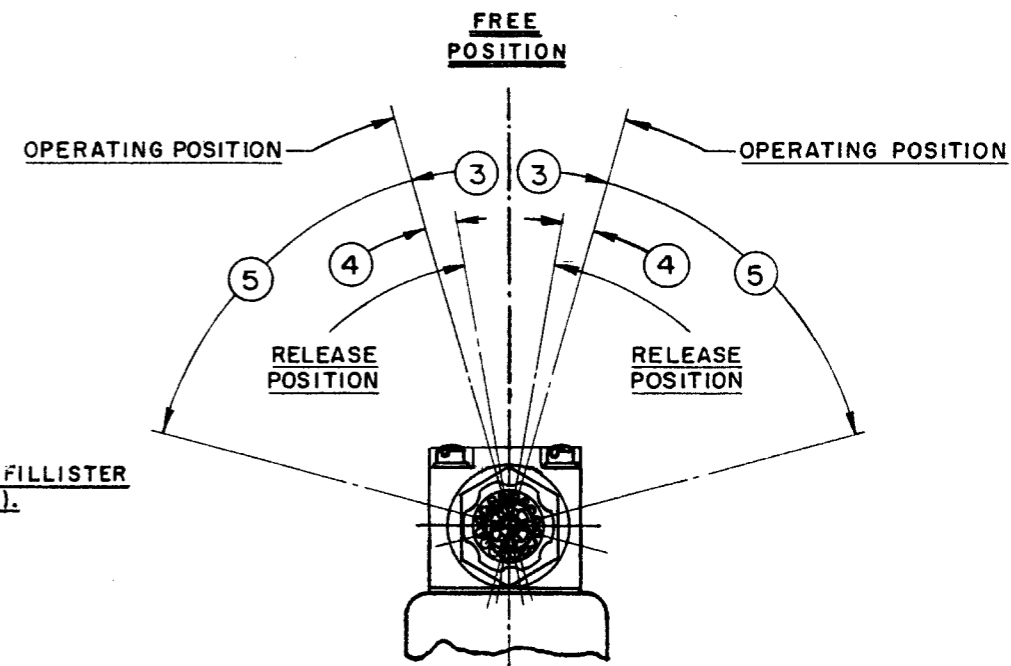
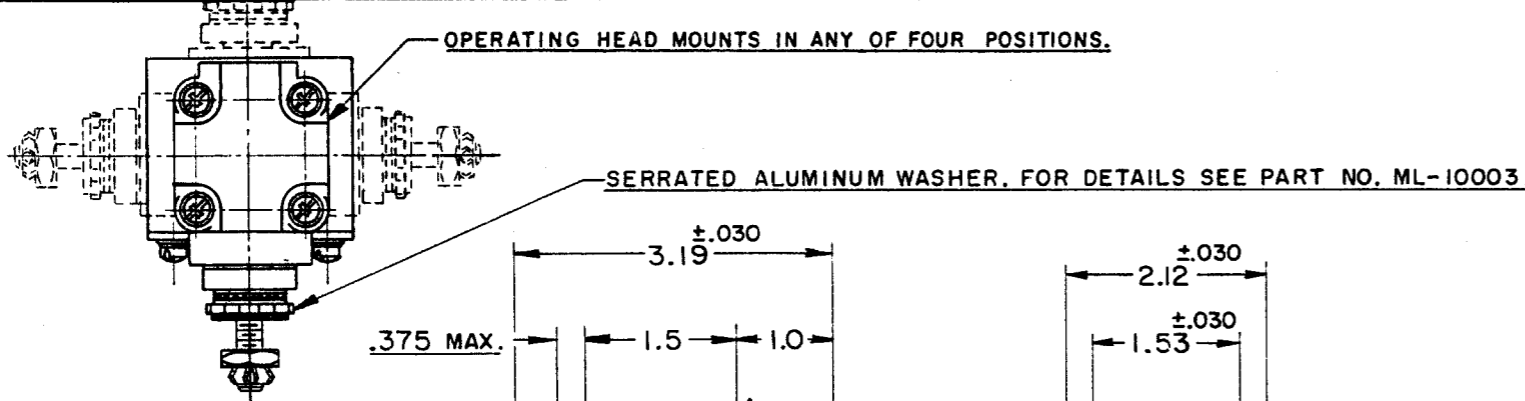
31 MAR 58

CHECK

31 MAR 58

CHECK

31 MAR 58



(4) 10-24 NC X 1.562<sup>REF.</sup> COMBO FILLISTER HEAD SCREW AND WASHER (SEMS). RETAINED TO HOUSING.

(4) 10-24 NC X .500<sup>REF.</sup> COMBO FILLISTER HEAD SCREW AND WASHER (SEMS) RETAINED TO COVER.

RING TYPE SEAL BETWEEN COVER AND HOUSING.

1/2-14 N.P.T. THREAD

**NOTES**

- 1 - IT IS ESSENTIAL TO PREVENT ENTRANCE OF HARMFUL AGENTS THRU THE CONDUIT OPENING TO OBTAIN THE FULL BENEFIT OF THE SEALED CONSTRUCTION PROVIDED IN THIS UNIT
- 2 3 - SWITCH IS ASSEMBLED FOR ACTUATION IN EITHER DIRECTION TO CONVERT SWITCH FOR ACTUATION IN EITHER CLOCKWISE OR COUNTER-CLOCKWISE DIRECTION ONLY, REMOVE THE HEAD AND SLIDE THE CAM TOWARD THE REAR OF THE HEAD SUFFICIENTLY TO DISENGAGE FROM THE FLATS ON THE SHAFT. ROTATE THE CAM 90° IN THE OPPOSITE DIRECTION OF THE ACTUATION DESIRED AND RE-ENGAGE THE CAM WITH THE FLATS ON THE SHAFT
- 4 - SHAFT MAY BE ADJUSTED TO ACTUATE THE SWITCH IN THE CLOCKWISE DIRECTION ONLY, THE COUNTER CLOCKWISE DIRECTION ONLY, OR IN BOTH DIRECTIONS 2 3

(4) HOLE 5/16-18 NC-2B THREAD .875<sup>+0.125</sup><sub>-.000</sub> DEEP. SWITCH MAY BE MOUNTED WITH 5/16 SCREWS FROM BACK OR 1/4 CAP SCREWS FROM THE FRONT.

CHARACTERISTICS	
OPERATING TORQUE-	5 11/32 LB.-IN. MAX.
FULL OVERTRAVEL TORQUE-	7 1/8 LB.-IN. MAX.
RELEASE TORQUE-----	7/16 LB.-IN. MIN.
PRETRAVEL-----	③ - 12° MAX.
DIFFERENTIAL TRAVEL-----	④ - 4° MAX.
OVERTRAVEL-----	⑤ - 60° MIN.
SWITCH-BASIC REPLACEMENT-----	1MK1

ELECTRICAL DATA	
CONTACT ARRANGEMENT	S. P. D. T.
②	20A-120,240,480 OR 600 VAC; 3/4 HP-120 VAC, 1 1/2 H.P.-240 VAC; 1/2 A-115 VDC; 1/4 A-230 VDC PILOT DUTY RATING: 600 VAC MAX.

SCALE 1/2 TO 1	
DO NOT SCALE PRINT	
UNLESS OTHERWISE SPECIFIED DIMENSIONS ARE IN INCHES	
<b>TOLERANCES ARE:</b>	
ONE PLACE (.0)	±.030
TWO PLACE (.00)	±.015
THREE PLACE (.000)	±.005
ANGLES	±
WEIGHT	



74-963